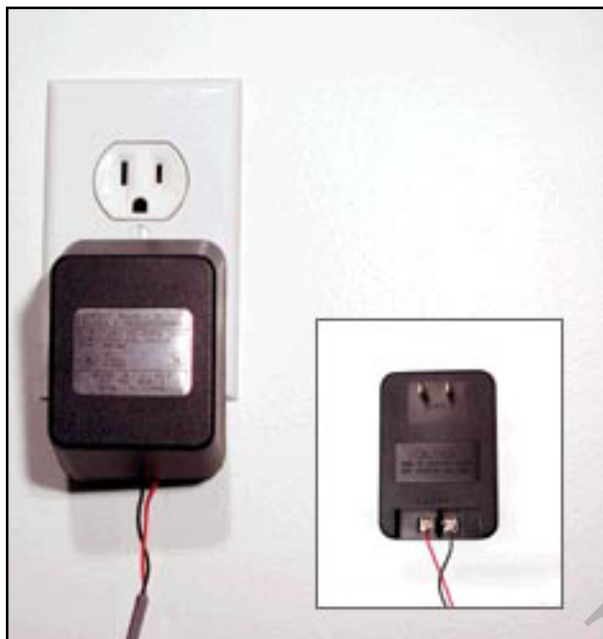




PC1 and PC2 Power Supply Specifications & Instructions



PC1 Power Supply

Description

The PC1 is designed as a convenient 12VDC power supply for use with a 115 VAC outlet. Terminals allow user connection of wiring on the low-voltage side. Since this is an unregulated power supply, actual voltage may be as high as 16 VDC, depending on load.

Specifications

Input Power	115VAC/60Hz
Output Voltage/Current	11.4-12.6VDC@100mA 15.4VDC@No Load
Regulation	Unregulated
Screw Terminal Size	18 AWG
Dimensions	81 x 56 x 49mm (3.19"l x 2.20"w x 1.93"h)
Operating Temp.	0-60°C
Safety Agency Approvals	UL1310 UL tested and approved to CSA C22.2 #223

PC2 Power Supply

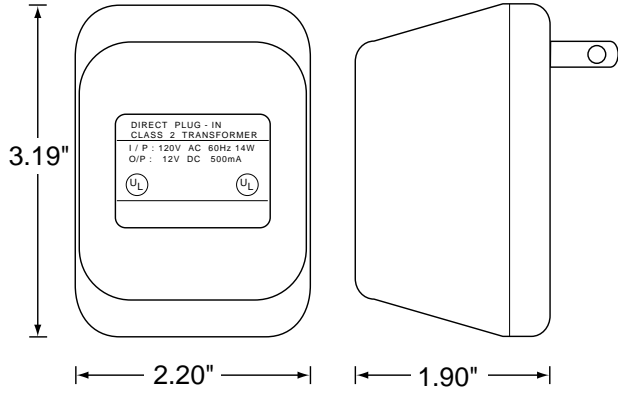
Description

The PC2 is a terminal-by-terminal supply, designed for use in the protected environment of a panel or enclosure. This compact unit is regulated at 24 VDC, and is well-suited for powering a 4-20 mA loop.

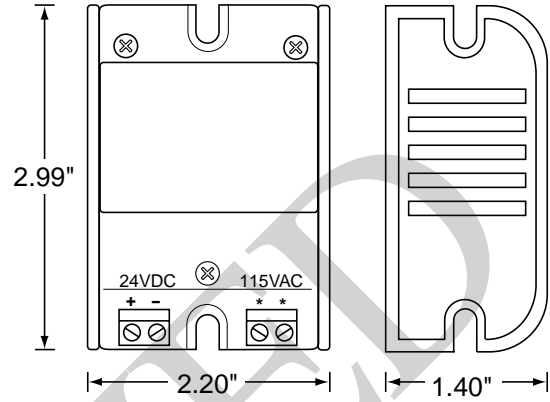
Specifications

Input Power	115VAC/60Hz (External fuse recommended)
Output Voltage/Current	24VDC +/-1.0VDC@100mA
Regulation	+/-1.0% (line and load)
Ripple and Noise	1mV RMS
Screw Terminal Size	18 AWG
Dimensions	76 x 56 x 35.5mm (2.99"l x 2.20"w x 1.40"h)
Operating Temp.	0-60°C

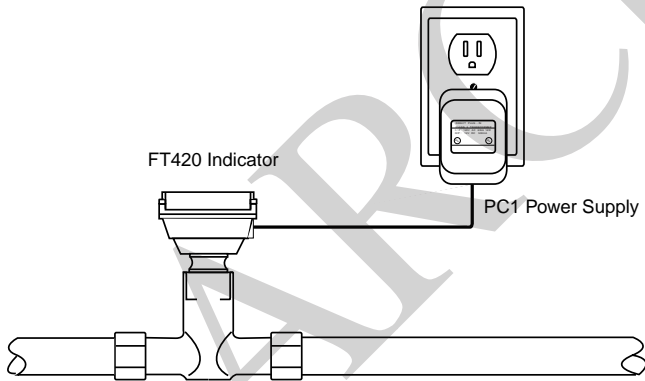
PC1 Dimensions



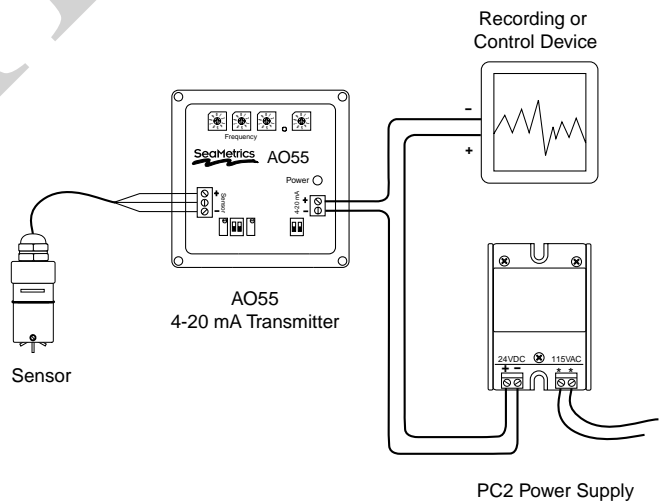
PC2 Dimensions



PC1 Application Diagram



PC2 Application Diagram



SeaMetrics

20419 80th Ave. So., Kent, WA 98032 USA
 Phone: 253-872-0284 Fax: 253-872-0285
www.seametrics.com 1-800-975-8153