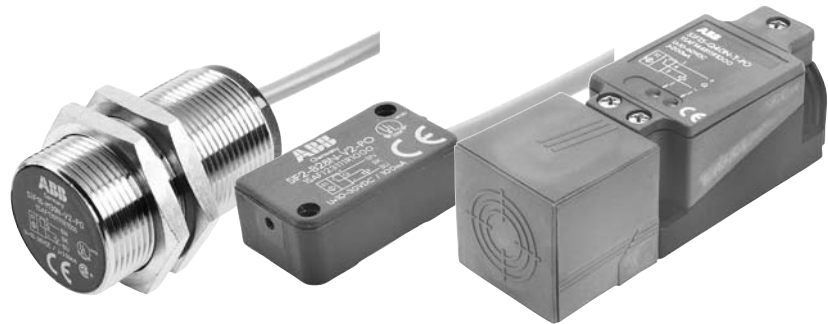


Proximity Sensors



Proximity sensors Inductive Capacitive



General information

Inductive & capacitive

- Non-contact sensing
- Extremely long life
- High speed switching frequency
- Short circuit protection
- AC & DC models

Inductive

- Metallic objects only
- Sensing distances from 0.8 to 50mm
- Large selection of 2 wire, 3 wire and 4 wire models
- Choice of quick disconnect, cable or terminal connection
- Stainless steel, Nickel-plated brass or Crastin housings

Capacitive

- Nonmetallic objects (paper, cardboard, plastic, etc.)
- Fluids & metallic objects
- 10mm sensing range
- Objects may be sensed through glass or plastic
- Choice of quick disconnect or cable
- Stainless steel housing

10

Spec Tech Industrial 203 Vest Ave. Valley Park, MO 63088 Phone: 888 SPECTECH
Fax: 636 537-1405 www.spectechind.com

General information

Inductive and capacitive proximity sensors

Catalog number explanation



10

SI **F2** **M12N** **V2** **AO**

Sensor class

SI = Inductive proximity
SC = Capacitive proximity

Mounting

F = Flush (shielded)
N = Non flush (non-shielded)

Sensing range

Distance in mm

Housings

Z = Cylindric 4, 6mm diameter
M = Metric thread 8, 12, 18, 30mm diameter
Q = Square block 30, 40, 80mm sensing face
B = Block 28, 45mm
N = Normal case
S = Short case
T = other short case
U = NPT thread
W = Weld field immune
E = Stainless steel

Outputs

PO = 24VDC, 3 wire PNP, Normally Open
PC = 24VDC, 3 wire PNP, Normally Closed
PK = 24VDC, 4 wire PNP, K – NO/NC
NO = 24VDC, 3 wire NPN, Normally Open
NK = 24VDC, 4 wire NPN, K – NO/NC
DO = 24VDC, 2 wire, Normally Open
AO = 20 – 250VAC, 2 wire, Normally Open
AC = 20 – 250VAC, 2 wire, Normally Closed
AK = 20 – 250VAC, 4 wire, K – NO/NC

Connection

V2 = cable PVC insulated, length 2m
U2 = cable PUR insulated, length 2m
C1 = Connector M12, Micro style, 3, 4 or 5 poles
C2 = Connector 1/2" – 20, Micro style, 3 poles AC
C8 = Connector M8, Nano style, 3 poles, standard
C7 = Connector 7/8"x16, Mini style
T = Terminals

Inductive 2 Wire AC Sensing range: 2mm

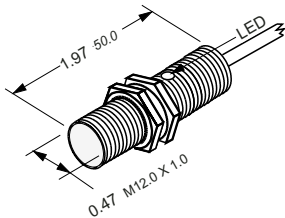
Proximity
Sensors

Operating distance		2mm
Catalog number		SIF2M12EV2AC
List price		\$ 101.00
Sensor mounting		Shielded
Output		
Suffix AO		
Suffix AC		Normally Closed
Operating voltage	VAC	20 – 250
Load current	mA	200
Switching frequency	Hz	25
Voltage drop	VAC	
Short circuit protection		5
Reverse polarity protection		no
Output indication		N/A
Operating temperature	°F	LED yellow
Protection IEC		-13 ... +158
Approvals		IP67
CE		yes
UL Listed		yes
CSA		yes
Wire size		22 AWG/0.34mm ²
Housing material		Stainless steel
Housing diameter	mm	12
Sensing face		Crastin
Connection		2 m, PVC cable

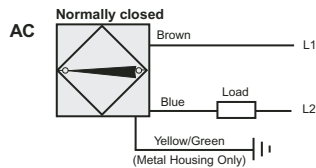


10

Approximate dimensions



Wiring diagrams



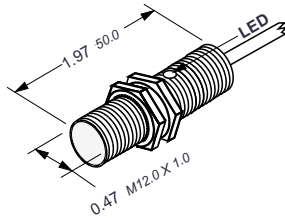
Inductive 2 Wire AC Sensing range: 2mm

Operating distance		2mm	2mm
Catalog number		SIF2M12NV2AO	SIF2M12NC2AO
List price		\$ 101.00	\$ 103.00
Sensor mounting		Shielded	Shielded
Output			
Suffix AO		Normally Open	Normally Open
Suffix AC		Normally Closed	Normally Closed
Operating voltage	VAC	20 – 250	20 – 250
Load current	mA	200	200
Switching frequency	Hz	25	25
No load supply current	mA	0.8	0.8
Voltage drop	VAC	5	5
Short circuit protection		no	no
Reverse polarity protection		N/A	N/A
Output indication		LED yellow	LED yellow
Operating temperature	°F	-13 ... +158	-13 ... +158
Protection IEC		IP67	IP67
Approvals			
CE		yes	yes
UL Listed		yes	yes
CSA		yes	yes
Wire size		22 AWG/0.34mm ²	—
Housing material		Nickel plated brass	Nickel plated brass
Housing diameter	mm	12	12
Sensing face		Crastin	Crastin
Connection		2 m, PVC cable	Connector 1/2" – 20

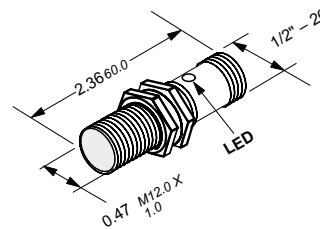


10

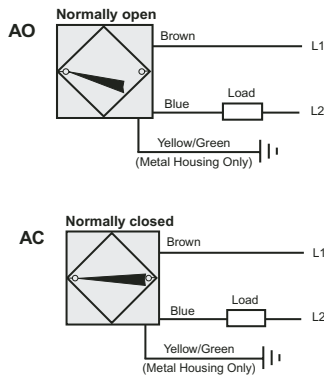
Approximate dimensions



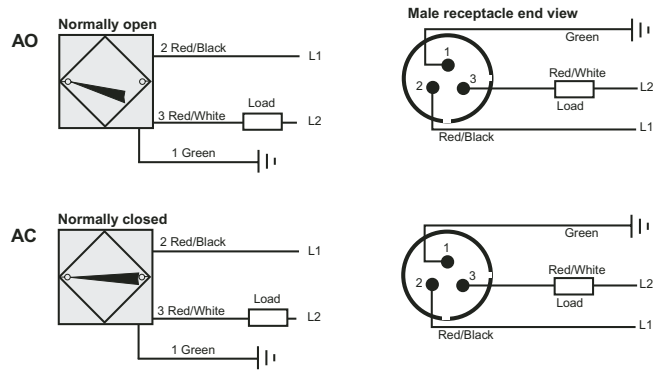
Approximate dimensions



Wiring diagrams



Wiring diagrams



Inductive 2 Wire AC Sensing range: 4mm

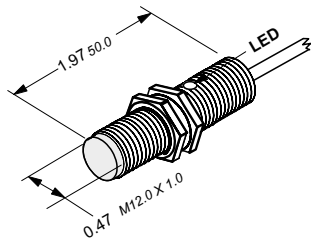
Proximity
Sensors

Operating distance		4mm	4mm
Catalog number		SIN4M12EV2AC	SIN4M12NC2AO
List price		\$ 95.00	\$ 103.00
Sensor mounting		Non-shielded	Non-shielded
Output			
Suffix AO		Normally Open	Normally Open
Suffix AC		Normally Closed	Normally Closed
Operating voltage	VAC	20 – 250	20 – 250
Load current	mA	200	200
Switching frequency	Hz	25	25
No load supply current	mA	0.8	0.8
Voltage drop	VAC	5	5
Short circuit protection		no	no
Reverse polarity protection		N/A	N/A
Output indication		LED yellow	LED yellow
Operating temperature	°F	-13 ... +158	-13 ... +158
Protection			
IEC		IP67	IP67
Approvals			
CE		yes	yes
UL Listed		yes	yes
CSA		yes	yes
Wire size		22 AWG/0.34mm ²	—
Housing material		Stainless steel	Nickel plated brass
Housing diameter		12	12
Sensing face		Crastin	Crastin
Connection		2 m, PVC cable	Connector 1/2" – 20

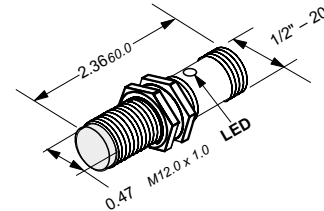


10

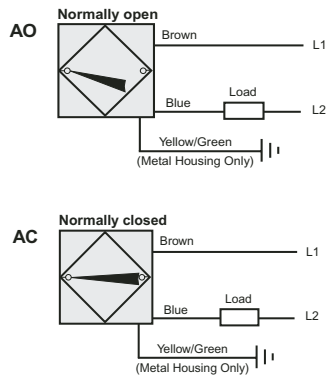
Approximate dimensions



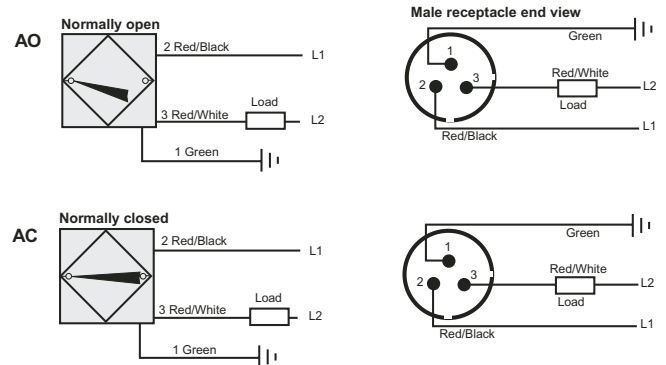
Approximate dimensions



Wiring diagrams



Wiring diagrams





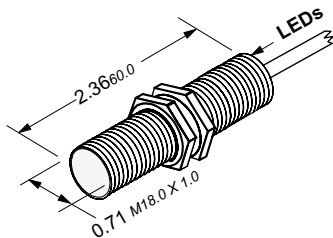
Inductive 2 Wire AC Sensing range: 5mm

Operating distance		5mm	5mm
Catalog number		SIF5M18NV2AO SIF5M18NV2AC	SIF5M18NC2AO —
List price		\$ 101.00	\$ 103.00
Sensor mounting		Shielded	Shielded
Output		Normally Open Normally Closed	Normally Open Normally Closed
Suffix AO Suffix AC			
Operating voltage	VAC	20 – 250	20 – 250
Load current	mA	200	200
Switching frequency	Hz	25	25
No load supply current	mA	1.7	1.7
Voltage drop	VAC	8	5
Short circuit protection		no	no
Reverse polarity protection		N/A	N/A
Output indication		LED yellow/LED green	LED yellow/LED green
Operating temperature	°F	-13 ... +158	-13 ... +158
Protection		IP67	IP67
IEC		IP67	IP67
Approvals			
CE		yes	yes
UL Listed		yes	yes
CSA		yes	yes
Wire size		22 AWG/0.34mm ²	—
Housing material		Nickel-plated brass	Nickel-plated brass
Housing diameter	mm	18	18
Sensing face		Crastin	Crastin
Connection		2 m, PVC cable	Connector 1/2" – 20

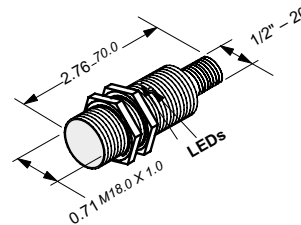


10

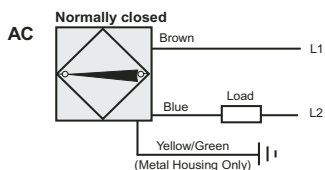
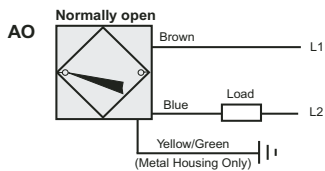
Approximate dimensions



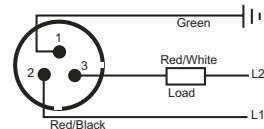
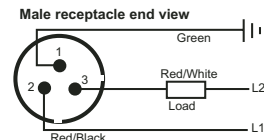
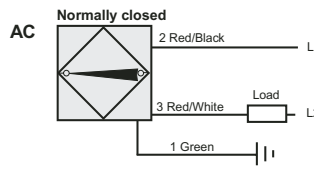
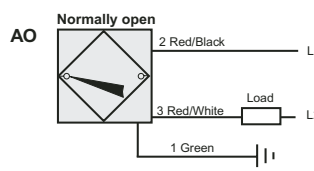
Approximate dimensions



Wiring diagrams



Wiring diagrams



Inductive 2 Wire AC Sensing range: 5mm – 8mm

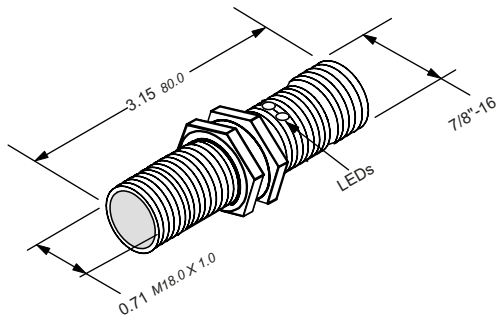
Proximity
Sensors

Operating distance		5mm	8mm
Catalog number		SIF5M18NC7AO SIF5M18NC7AC	SIN8M18NV2AO SIN8M18NV2AC
List price		\$ 103.00	\$ 108.00
Sensor mounting		Shielded	Non-shielded
Output		Normally Open Normally Closed	Normally Open Normally Closed
Suffix AO			
Suffix AC			
Operating voltage	VAC	20 – 250	20 – 250
Load current	mA	200	200
Switching frequency	Hz	25	25
No load supply current	mA	1.7	1.7
Voltage drop	VAC	5	8
Short circuit protection		no	no
Reverse polarity protection		N/A	N/A
Output indication		LED yellow/LED green	LED yellow/LED green
Operating temperature	°F	-13 ... +158	-13 ... +158
Protection			
IEC		IP67	IP67
Approvals			
CE		yes	yes
UL Listed		yes	yes
CSA		yes	yes
Wire size		—	22 AWG/0.34mm ²
Housing material		Nickel-plated brass	Nickel-plated brass
Housing diameter	mm	18	18
Sensing face		Crastin	Crastin
Connection		Connector 7/8"	2 m, PVC cable

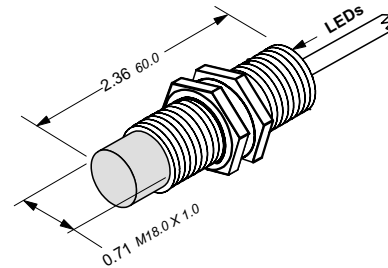


10

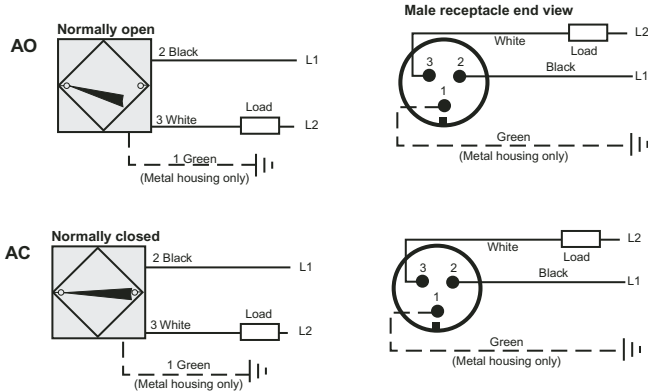
Approximate dimensions



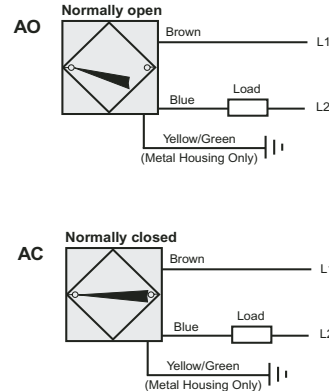
Approximate dimensions



Wiring diagrams



Wiring diagrams



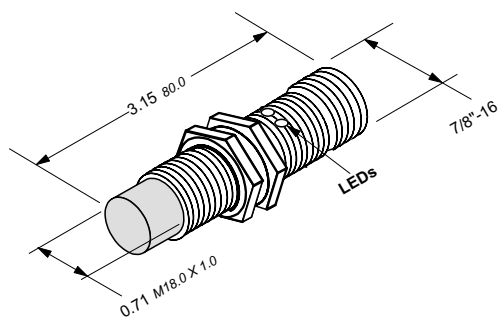
Inductive 2 Wire AC Sensing range: 8mm – 10mm

Operating distance		8mm	10mm
Catalog number		SIN8M18NC7AO SIN8M18NC7AC	SIF10M30NV2AO SIF10M30NV2AC
List price		\$ 111.00	\$ 108.00
Sensor mounting		Non-shielded	Shielded
Output		Normally Open Normally Closed	Normally Open Normally Closed
Operating voltage		20 – 250	20 – 250
Load current		200	200
Switching frequency		25	25
No load supply current		1.7	1.7
Voltage drop		5	8
Short circuit protection		no	no
Reverse polarity protection		N/A	N/A
Output indication		LED yellow/LED green	LED yellow/LED green
Operating temperature		-13 ... +158	-13 ... +158
Protection		IP67	IP67
Approvals			
CE		yes	yes
UL Listed		yes	yes
CSA		yes	yes
Wire size		—	22 AWG/0.34mm ²
Housing material		Nickel-plated brass	Nickel-plated brass
Housing diameter		18	30
Sensing face		Crastin	Crastin
Connection		Connector 7/8"	2 m, PVC cable

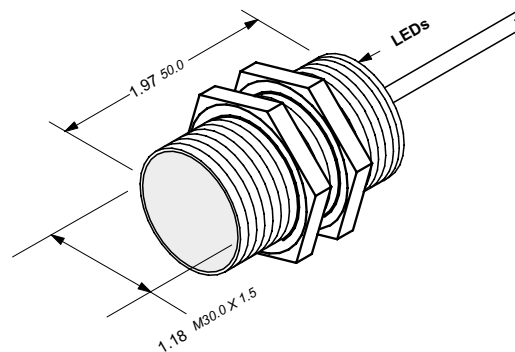


10

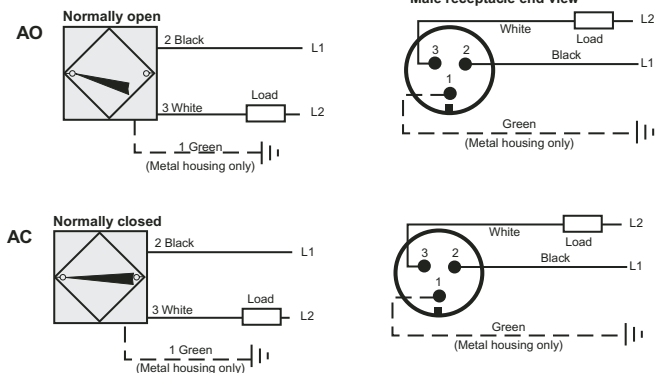
Approximate dimensions



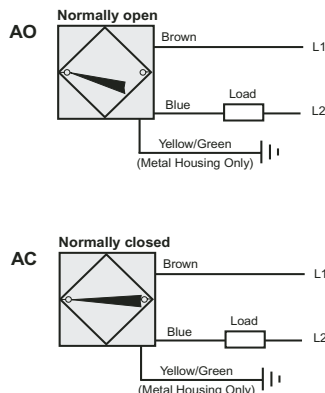
Approximate dimensions



Wiring diagrams



Wiring diagrams



Inductive 2 Wire AC Sensing range: 10mm

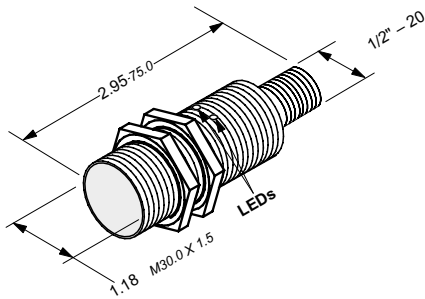
Proximity
Sensors

Operating distance		10mm	10mm
Catalog number		SIF10M30NC2AO	SIF10M30NC7AO SIF10M30NC7AC
List price		\$ 110.00	\$ 112.00
Sensor mounting		Shielded	Shielded
Output		Normally Open Normally Closed	Normally Open Normally Closed
Suffix AO Suffix AC			
Operating voltage	VAC	20 – 250	20 – 250
Load current	mA	200	200
Switching frequency	Hz	25	25
No load supply current	mA	1.7	1.7
Voltage drop	VAC	8	8
Short circuit protection		no	no
Reverse polarity protection		N/A	N/A
Output indication		LED yellow/LED green	LED yellow/LED green
Operating temperature	°F	-13 ... +158	-13 ... +158
Protection		IP67	IP67
IEC			
Approvals			
CE		yes	yes
UL Listed		yes	yes
CSA		yes	yes
Wire size		—	—
Housing material		Nickel-plated brass	Nickel-plated brass
Housing diameter		30	30
Sensing face		Crastin	Crastin
Connection		Connector 1/2" – 20	Connector 7/8"

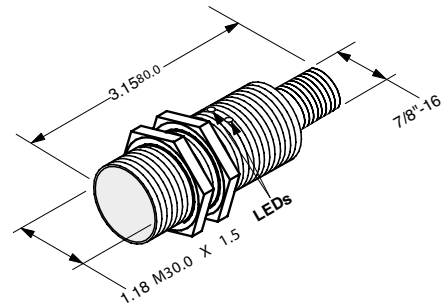


10

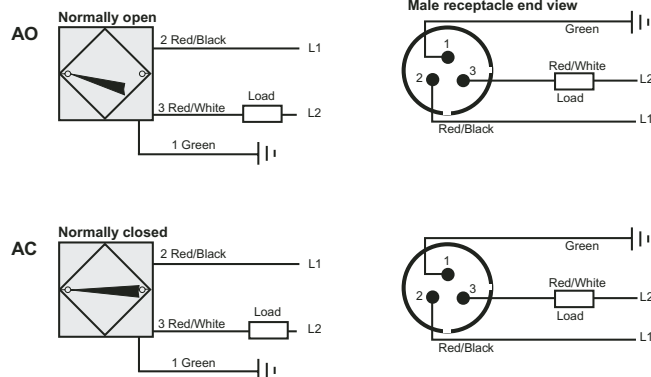
Approximate dimensions



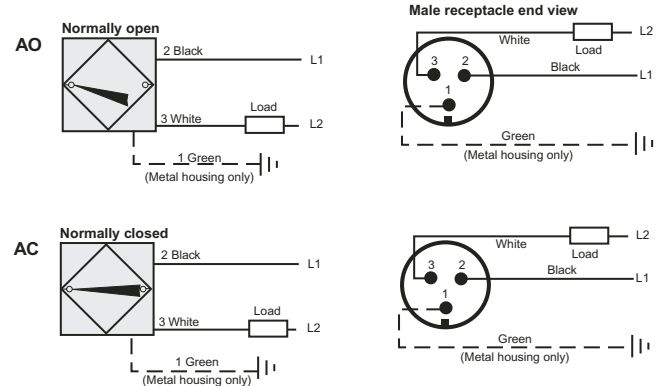
Approximate dimensions



Wiring diagrams



Wiring diagrams



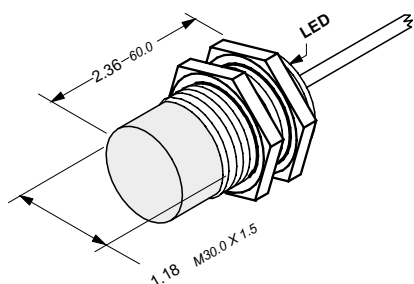
Inductive 2 Wire AC Sensing range: 15mm

Operating distance		15mm	15mm
Catalog number		SIN15M30NV2AO SIN15M30NV2AC	SIN15M30NC2AO —
List price		\$ 108.00	\$ 110.00
Sensor mounting		Non-shielded	Non-shielded
Output		Normally Open Normally Closed	Normally Open Normally Closed
Suffix AO Suffix AC			
Operating voltage	VAC	20 – 250	20 – 250
Load current	mA	200	200
Switching frequency	Hz	25	25
No load supply current	mA	1.7	1.7
Voltage drop	VAC	8	8
Short circuit protection		no	no
Reverse polarity protection		N/A	N/A
Output indication		LED yellow/LED green	LED yellow/LED green
Operating temperature	°F	-13 ... +158	-13 ... +158
Protection		IP67	IP67
IEC			
Approvals			
CE		yes	yes
UL Listed		yes	yes
CSA		yes	yes
Wire size		22 AWG/0.34mm ²	—
Housing material		Nickel-plated brass	Nickel-plated brass
Housing diameter	mm	30	30
Sensing face		Crastin	Crastin
Connection		2 m, PVC cable	Connector 1/2" – 20

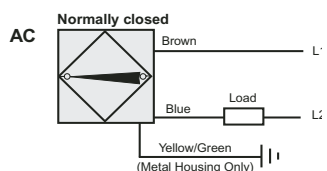
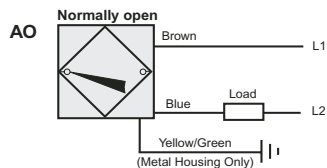


10

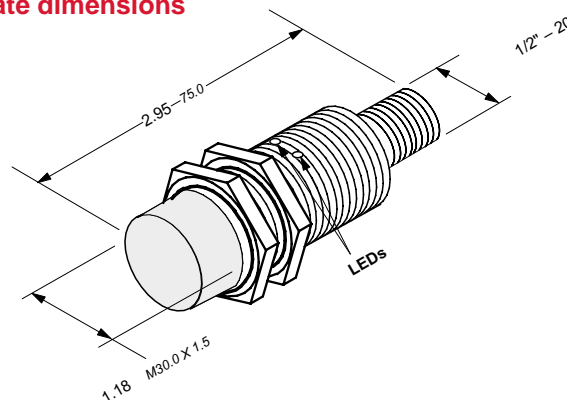
Approximate dimensions



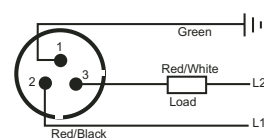
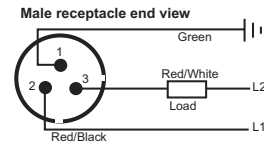
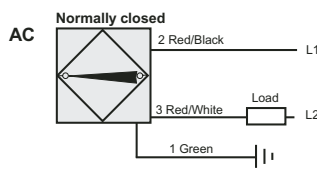
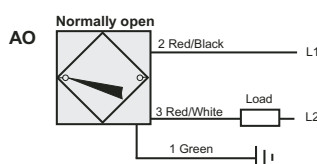
Wiring diagrams



Approximate dimensions



Wiring diagrams



Inductive 2 Wire AC Sensing range: 15mm

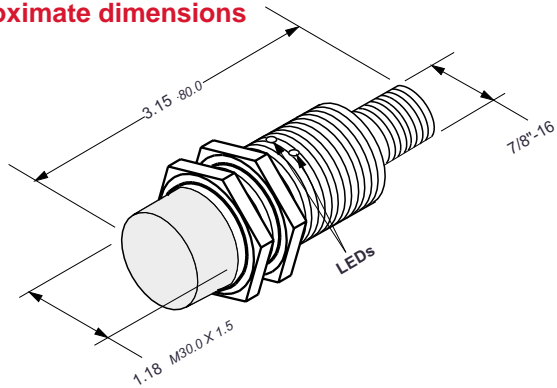
Proximity
Sensors

Operating distance		15mm	15mm
Catalog number		SIN15M30NC7AO	SIN15Q30UC7AO ① SIN15Q30UC7AC ①
List price		\$ 112.00	\$ 123.00
Sensor mounting		Non-shielded	Non-shielded
Output		Normally Open	Normally Open Normally Closed
Suffix AO			
Suffix AC		—	
Operating voltage	VAC	20 – 250	20 – 250
Load current	mA	200	400
Switching frequency	Hz	25	25
No load supply current	mA	1.7	1.7
Voltage drop	VAC	8	5
Short circuit protection		no	no
Reverse polarity protection		N/A	N/A
Output indication		LED yellow/LED green	LED yellow/LED green
Operating temperature	°F	-13 ... +158	-13 ... +158
Protection IEC		IP67	IP67
Approvals			
CE		yes	yes
UL Listed		yes	yes
CSA		yes	yes
Wire size		—	Up to 14 AWG/2.5mm ²
Housing material		Nickel-plated brass	Crastin – metal base
Housing diameter	mm	30	—
Sensing face		Crastin	Crastin
Connection		Connector 7/8"	Terminal

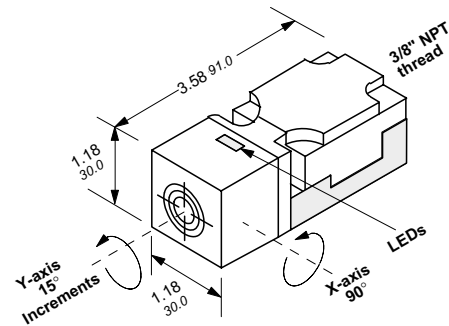


10

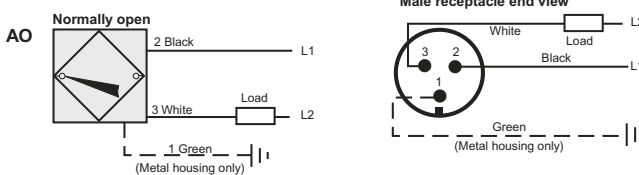
Approximate dimensions



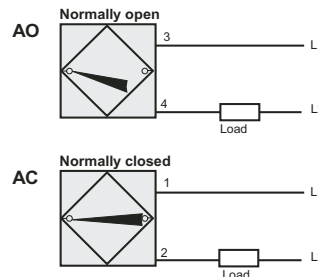
Approximate dimensions



Wiring diagrams



Wiring diagrams



① To order Pg9 threaded connection, order part numbers:
SIN15-Q30N-T-AO
SIN15-Q30N-T-AC

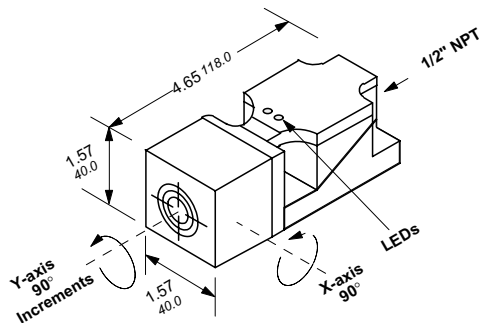
Inductive 2 Wire AC Sensing range: 15mm – 20mm

Operating distance		15mm	20mm
Catalog number		SIF15Q40UTAK ①	SIN20Q40UTAK ②
List price		\$ 135.00	\$ 135.00
Sensor mounting		Shielded	Non-shielded
Output Suffix AK		AC N.O. or N.C.	AC N.O. or N.C.
Operating voltage	VAC	20 – 253	20 – 253
Load current	mA	500	500
Switching frequency	Hz	25	25
No load supply current	mA	10	10
Voltage drop	VAC	3	3
Short circuit protection		no	no
Reverse polarity protection		N/A	N/A
Output indication		LED yellow/LED green	LED yellow/LED green
Operating temperature	°F	-13 ... +158	-13 ... +158
Protection IEC		IP68	IP68
Approvals CE		yes	yes
UL Listed		yes	yes
CSA		yes	yes
Wire size		Up to 14 AWG/2.5mm ²	Up to 14 AWG/2.5mm ²
Housing material		Crastin/metal base	Crastin/metal base
Housing diameter	mm	—	—
Sensing face		Crastin	Crastin
Connection		Terminal	Terminal

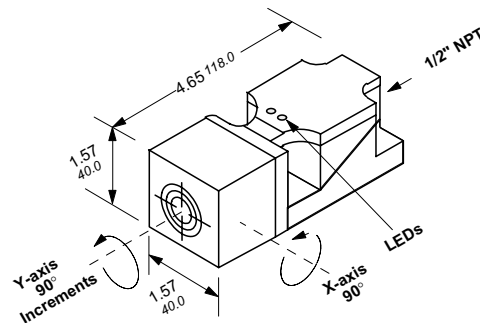


10

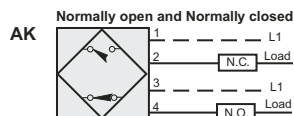
Approximate dimensions



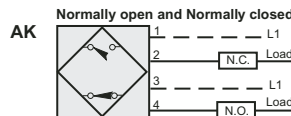
Approximate dimensions



Wiring diagrams



Wiring diagrams



① To order Pg13.5 threaded connection, order part number:
SIF15-Q40N-T-AK

② To order Pg13.5 threaded connection, order part number:
SIF20-Q40N-T-AK

Inductive 2 Wire AC Sensing range: 30mm

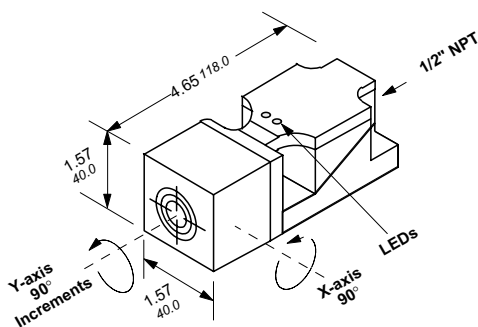
Proximity
Sensors

Operating distance		30mm
Catalog number		SIN30Q40UC7AK ①
List price		\$ 127.00
Sensor mounting		Non-shielded
Output Suffix AK		AC N.O. or N.C.
Operating voltage	VAC	20 – 253
Load current	mA	500
Switching frequency	Hz	25
No load supply current	mA	10
Voltage drop	VAC	3
Short circuit protection		no
Reverse polarity protection		N/A
Output indication		LED yellow/LED green
Operating temperature	°F	-13 ... +158
Protection IEC		IP68
Approvals		
CE		yes
UL Listed		yes
CSA		yes
Wire size		Up to 14 AWG/2.5mm ²
Housing material		Crastin/metal base
Housing diameter	mm	—
Sensing face		Crastin
Connection		Terminal

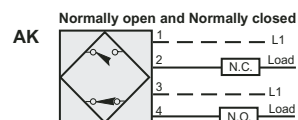


10

Approximate dimensions



Wiring diagrams



① To order Pg13.5 threaded connection, order part number:
SIN30-Q40N-T-AK



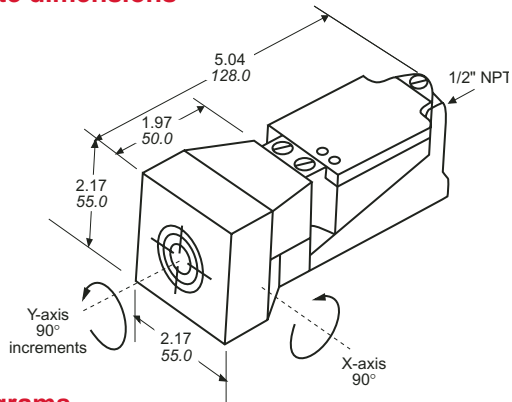
Inductive 2 Wire AC Sensing range: 40mm

Operating distance		40mm
Catalog number		SIN40Q55UTAK
List price		\$ 210.00
Sensor mounting		Non-shielded
Output Suffix AK		AC Normally Open + Normally Closed
Operating voltage	VAC	20 – 250
Load current	mA	500
Switching frequency	Hz	25
No load supply current	mA	10
Voltage drop	VAC	3
Short circuit protection		no
Reverse polarity protection		N/A
Output indication		LED yellow/LED green
Operating temperature	°F	-13 ... +158
Protection		IP68
Approvals		
CE		yes
UL Listed		yes
CSA		yes
Wire size		Up to 14 AWG/2.5mm ²
Housing material		Crastin – metal base
Housing diameter	mm	—
Sensing face		Crastin
Connection		Terminal

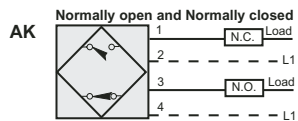


10

Approximate dimensions



Wiring diagrams



Inductive 2 Wire DC Sensing range: 1.5mm – 2mm

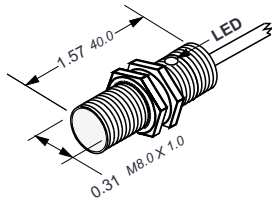
Proximity
Sensors

Operating distance		1.5mm	2mm
Catalog number		SIF1.5M8NV2DO	SIF2M12NV2DO
List price		\$ 80.00	\$ 70.00
Sensor mounting		Shielded	Shielded
Output Suffix DO		Sinking or Sourcing	Sinking or Sourcing
Operating voltage	VDC	6 – 60	6 – 60
Load current	mA	100	100
Switching frequency	Hz	2000	2000
No load supply current	mA	0.7	0.7
Voltage drop	VDC	5.5	5.5
Short circuit protection		no	no
Reverse polarity protection		yes	yes
Output indication		LED yellow	LED yellow
Operating temperature	°F	-13 ... +158	-13 ... +158
Protection IEC		IP67	IP67
Approvals			
CE		yes	yes
UL Listed		yes	yes
CSA		yes	yes
Wire size		26 AWG/0.14mm ²	26 AWG/0.14mm ²
Housing material		Nickel-plated brass	Nickel-plated brass
Housing diameter	mm	8	12
Sensing face		Crastin	Crastin
Connection		2 m, PVC cable	2 m, PVC cable

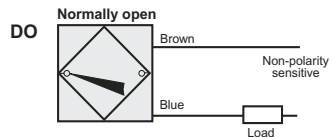


10

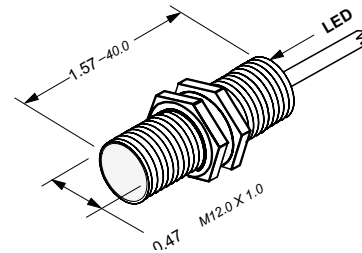
Approximate dimensions



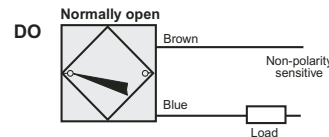
Wiring diagrams



Approximate dimensions



Wiring diagrams





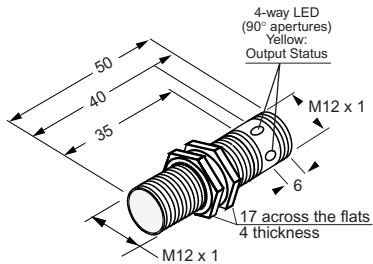
Inductive 2 Wire DC Sensing range: 2mm

Operating distance		2mm
Catalog number		SIF2M12EC1DO
List price		\$ 73.00
Sensor mounting		Shielded
Output Suffix DO		Sinking or Sourcing/Normally Open
Operating voltage	VDC	5 – 60
Load current	mA	100
Switching frequency	Hz	2000
Voltage drop	VDC	≤4.2
Short circuit protection		yes
Reverse polarity protection		yes
Output indication		Ring LED yellow
Operating temperature	°F	-14 ... +158
Protection IEC		IP67
Approvals CE		yes
UL Listed		yes
CSA		yes
Wire size		—
Housing material		Stainless steel
Housing diameter	mm	12
Sensing face		Crastin
Connection		Connector M12

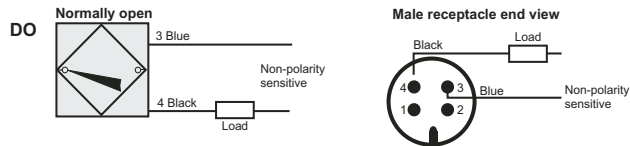


10

Approximate dimensions



Wiring diagrams



Inductive 2 Wire DC Sensing range: 4mm

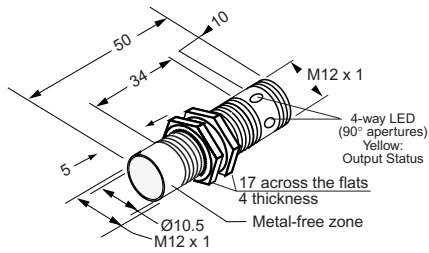
Proximity
Sensors

Operating distance		4mm
Catalog number		SIN4M12EC1DO
List price		\$ 73.00
Sensor mounting		Non-shielded
Output Suffix DO		Sinking or Sourcing/Normally Open
Operating voltage	VDC	5 – 60
Load current	mA	100
Switching frequency	Hz	2000
Voltage drop	VDC	≤4.2
Short circuit protection		yes
Reverse polarity protection		yes
Output indication		Ring LED yellow
Operating temperature	°F	-14 ... +158
Protection IEC		IP67
Approvals		
CE		yes
UL Listed		yes
CSA		yes
Wire size		—
Housing material		Stainless steel
Housing diameter		12
Sensing face		Crastin
Connection		Connector M12

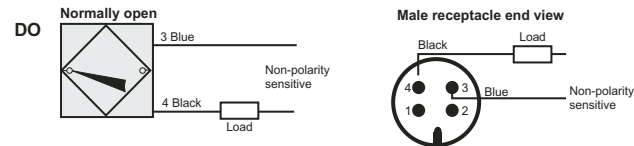


10

Approximate dimensions



Wiring diagrams



Inductive 2 Wire DC Sensing range: 4mm – 5mm

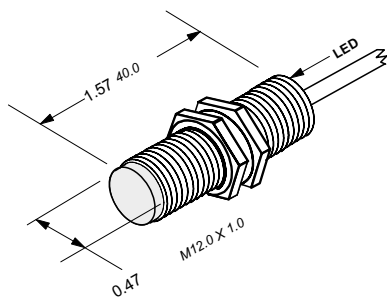
Operating distance		4mm	5mm
Catalog number		SIN4M12NV2DO	SIF5M18NV2DO
List price		\$ 70.00	\$ 84.00
Sensor mounting		Non-shielded	Shielded
Output Suffix DO		Sinking or Sourcing	Sinking or Sourcing
Operating voltage	VDC	6 – 60	6 – 60
Load current	mA	100	100
Switching frequency	Hz	2000	1500
No load supply current	mA	0.7	0.7
Voltage drop	VDC	5.5	5.5
Short circuit protection		no	no
Reverse polarity protection		yes	yes
Output indication		LED yellow	LED yellow
Operating temperature	°F	-13 ... +158	-13 ... +158
Protection IEC		IP67	IP67
Approvals			
CE		yes	yes
UL Listed		yes	yes
CSA		yes	yes
Wire size		26 AWG/0.14mm ²	22 AWG/0.34mm ²
Housing material		Nickel-plated brass	Nickel-plated brass
Housing diameter	mm	12	18
Sensing face		Crastin	Crastin
Connection		2 m, PVC cable	2 m, PVC cable



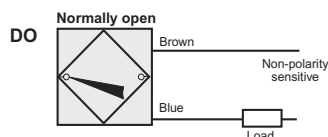
SIN4M12NV2DO

10

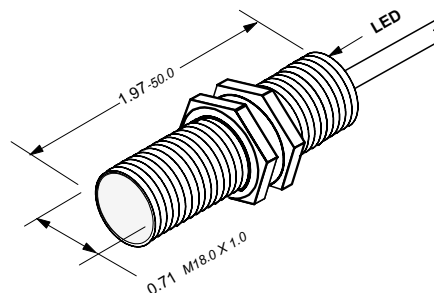
Approximate dimensions



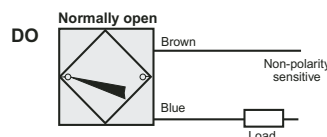
Wiring diagrams



Approximate dimensions



Wiring diagrams



Inductive 2 Wire DC Sensing range: 5mm

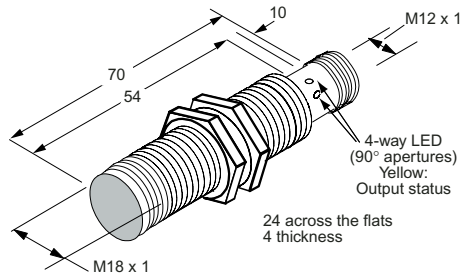
Proximity
Sensors

Operating distance		5mm
Catalog number		SIF5M18EC1DO
List price		\$ 73.00
Sensor mounting		Non-shielded
Output Suffix DO		Sinking or Sourcing/Normally Open
Operating voltage	VDC	5 – 60
Load current	mA	100
Switching frequency	Hz	1000
Voltage drop	VDC	≤4.2
Short circuit protection		yes
Reverse polarity protection		yes
Output indication		Ring LED yellow
Operating temperature	°F	-14 ... +158
Protection IEC		IP67
Approvals		
CE		yes
UL Listed		yes
CSA		yes
Wire size		—
Housing material		Stainless steel
Housing diameter		12
Sensing face		Crastin
Connection		Connector M12

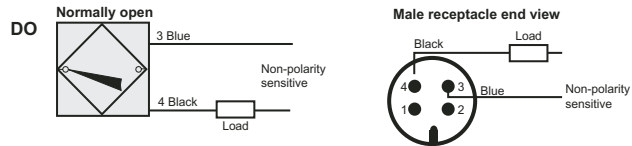


10

Approximate dimensions



Wiring diagrams





Inductive 2 Wire DC Sensing range: 8mm

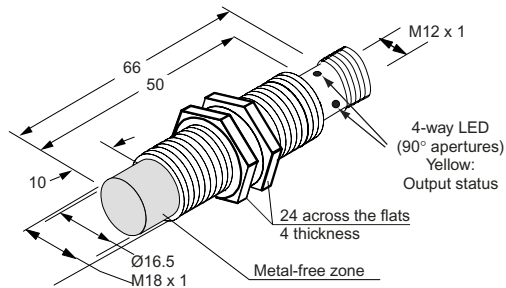
Operating distance		8mm	8mm
Catalog number		SIN8M18EC1DO	SIN8M18NV2DO
List price		\$ 75.00	\$ 84.00
Sensor mounting		Non-shielded	Non-shielded
Output Suffix DO		Sinking or Sourcing/Normally Open	Sinking or Sourcing
Operating voltage	VDC	5 – 60	6 – 60
Load current	mA	100	100
Switching frequency	Hz	500	1000
No load supply current	mA		0.7
Voltage drop	VDC	≤4.2	5.5
Short circuit protection		yes	no
Reverse polarity protection		yes	yes
Output indication		Ring LED yellow	LED yellow
Operating temperature	°F	-14 ... +158	-13 ... +158
Protection IEC		IP67	IP67
Approvals			
CE		yes	yes
UL Listed		yes	yes
CSA		yes	yes
Wire size		—	22 AWG/0.34mm ²
Housing material		Stainless steel	Nickel-plated brass
Housing diameter	mm	12	18
Sensing face		Crastin	Crastin
Connection		Connector M12	2 m, PVC cable



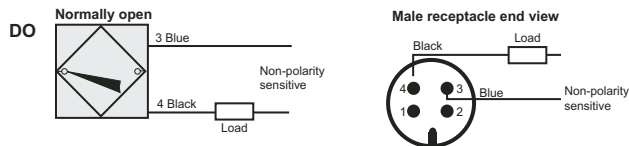
SIN8M18EC1DO

10

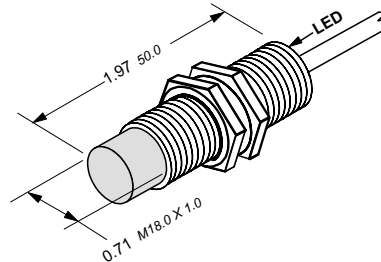
Approximate dimensions



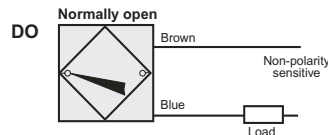
Wiring diagrams



Approximate dimensions



Wiring diagrams



Inductive 2 Wire DC Sensing range: 10mm

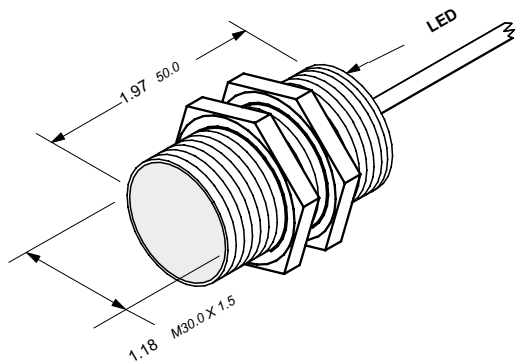
Proximity
Sensors

Operating distance		10mm	10mm
Catalog number		SIF10M30NV2DO	SIF10M30EC1DO
List price		\$ 84.00	\$ 95.00
Sensor mounting		Shielded	Shielded
Output			
Suffix DO		Sinking or Sourcing	Sinking or Sourcing/Normally Open
Operating voltage	VDC	6 – 60	5 – 60
Load current	mA	100	100
Switching frequency	Hz	700	650
No load supply current	mA	0.7	0.7
Voltage drop	VDC	5.5	≤4.2
Short circuit protection		no	yes
Reverse polarity protection		yes	yes
Output indication		LED yellow	Ring LED yellow
Operating temperature	°F	-13 ... +158	-14 ... +158
Protection			
IEC		IP67	IP67
Approvals			
CE		yes	yes
UL Listed		yes	yes
CSA		yes	yes
Wire size		22 AWG/0.34mm ²	—
Housing material		Nickel-plated brass	Stainless steel
Housing diameter	mm	30	30
Sensing face		Crastin	Crastin
Connection		2 m, PVC cable	Connector M12

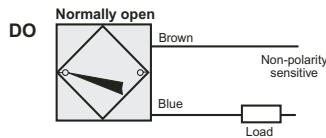


10

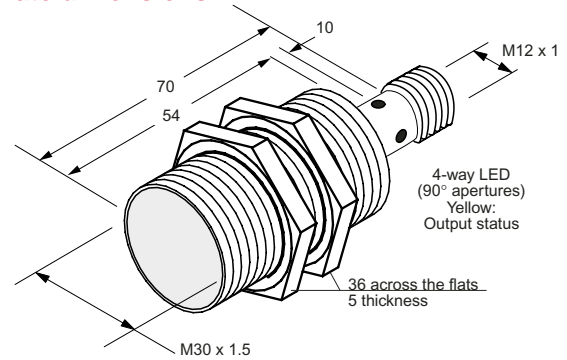
Approximate dimensions



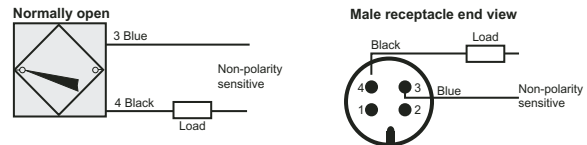
Wiring diagrams



Approximate dimensions



Wiring diagrams



Inductive 2 Wire DC Sensing range: 15mm

Operating distance		15mm	15mm
Catalog number		SIN15M30NV2DO	SIN15M30EC1DO
List price		\$ 84.00	\$ 95.00
Sensor mounting		Non-shielded	Non-shielded
Output			
Suffix DO		Sinking or Sourcing	Sinking or Sourcing/Normally Open
Operating voltage	VDC	6 – 60	5 – 60
Load current	mA	100	100
Switching frequency	Hz	500	500
No load supply current	mA	0.7	0.7
Voltage drop	VDC	5.5	≤4.2
Short circuit protection		no	yes
Reverse polarity protection		yes	yes
Output indication		LED yellow	Ring LED yellow
Operating temperature	°F	-13 ... +158	-14 ... +158
Protection			
IEC		IP67	IP67
Approvals			
CE		yes	yes
UL Listed		yes	yes
CSA		yes	yes
Wire size		22 AWG/0.34mm ²	—
Housing material		Nickel-plated brass	Stainless steel
Housing diameter	mm	30	30
Sensing face		Crastin	Crastin
Connection		2 m, PVC cable	Connector M12



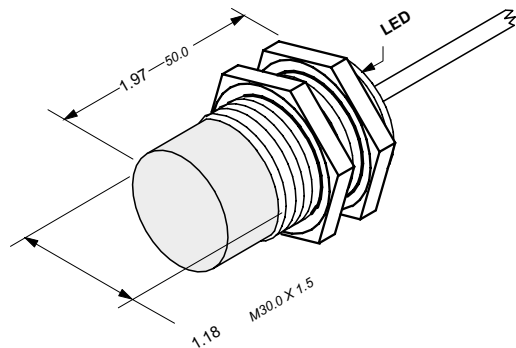
SIN15M30NV2DO



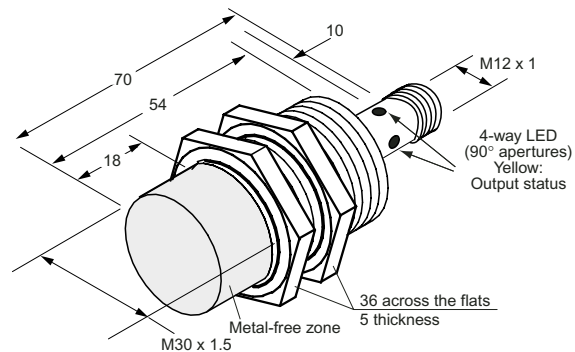
SIN15M30EC1DO

10

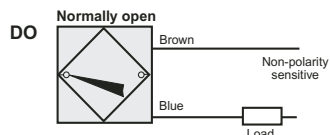
Approximate dimensions



Approximate dimensions



Wiring diagrams



Wiring diagrams

