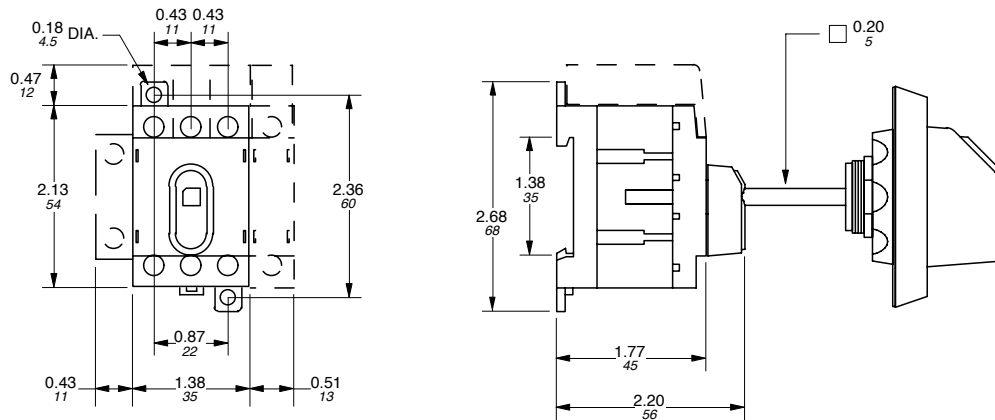


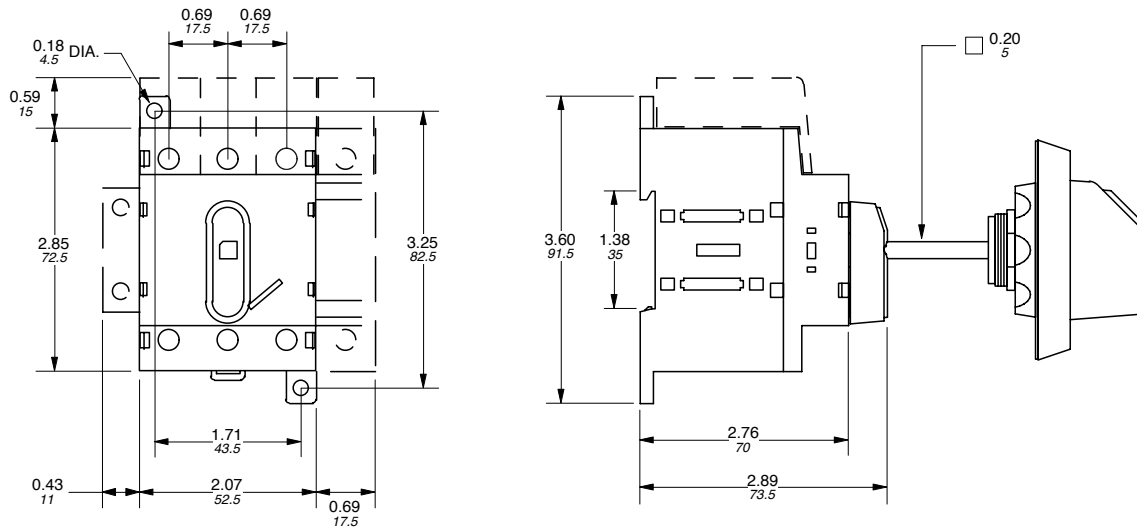
Approximate dimensions OT16E3 – OT100E3 Base & DIN rail mounted switches

00.00 Inches
00.00 [Millimeters]

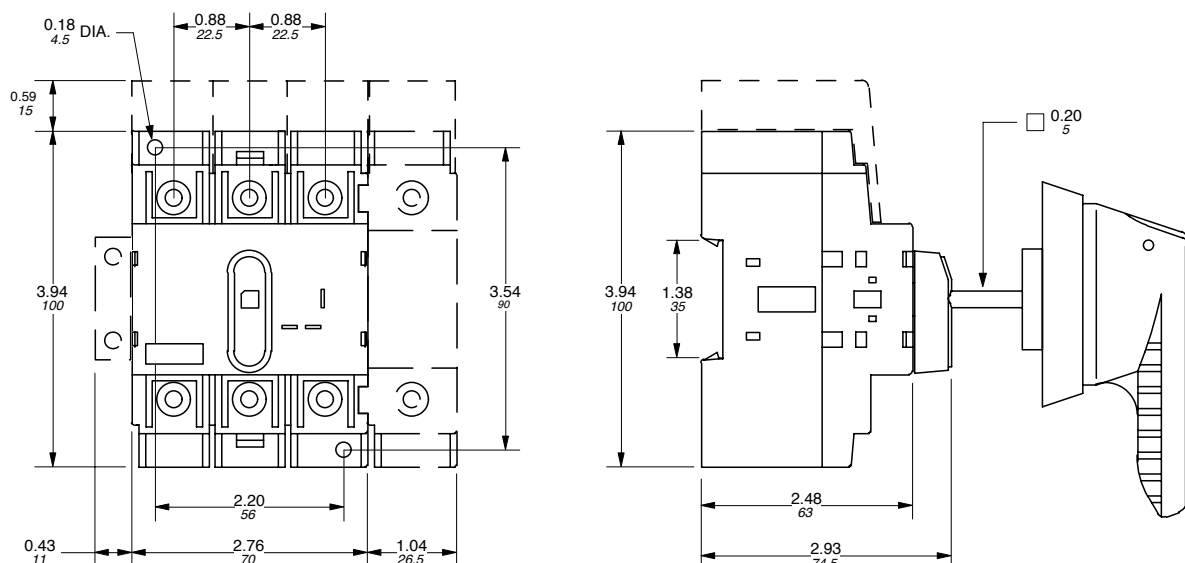
OT16E3, OT25E3, OT32E3 – base & DIN rail mounted switch



OT45E3, OT63E3 – base & DIN rail mounted switch



OT30E3, OT60E3, OT100E3 – base & DIN rail mounted switch

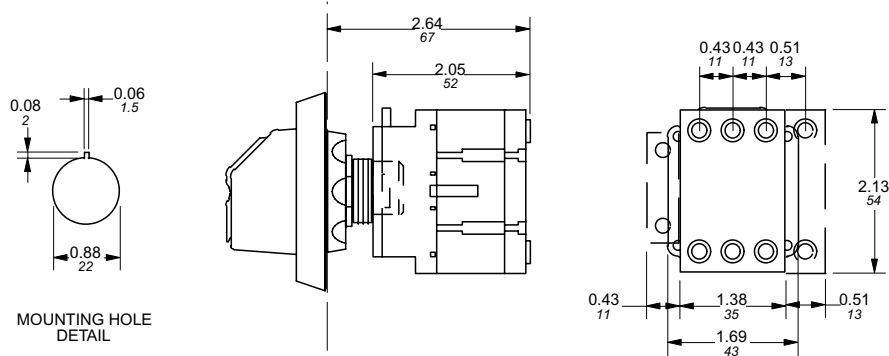


Approximate dimensions OT16ET3 – OT100ET3 Door mounted switches

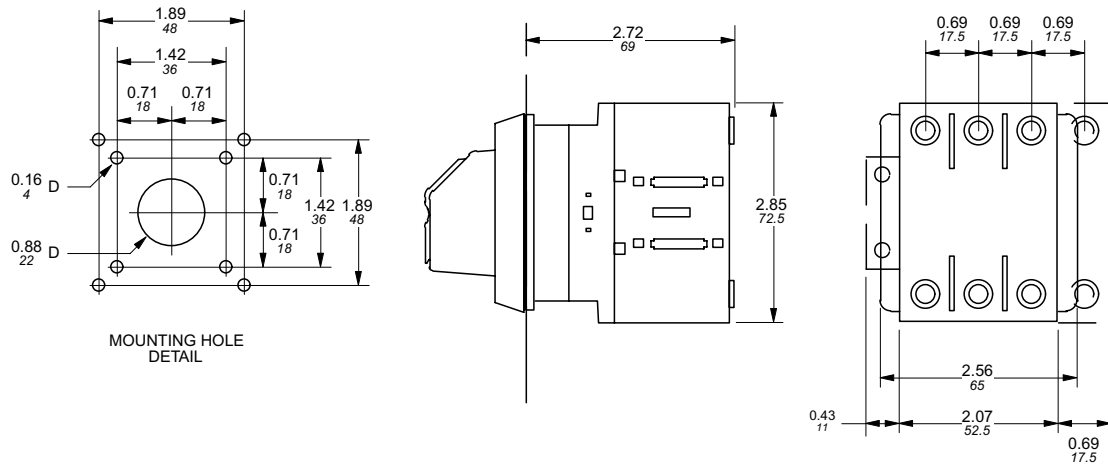
Disconnect
switches
Non-fusible

00.00 Inches
00.00 [Millimeters]

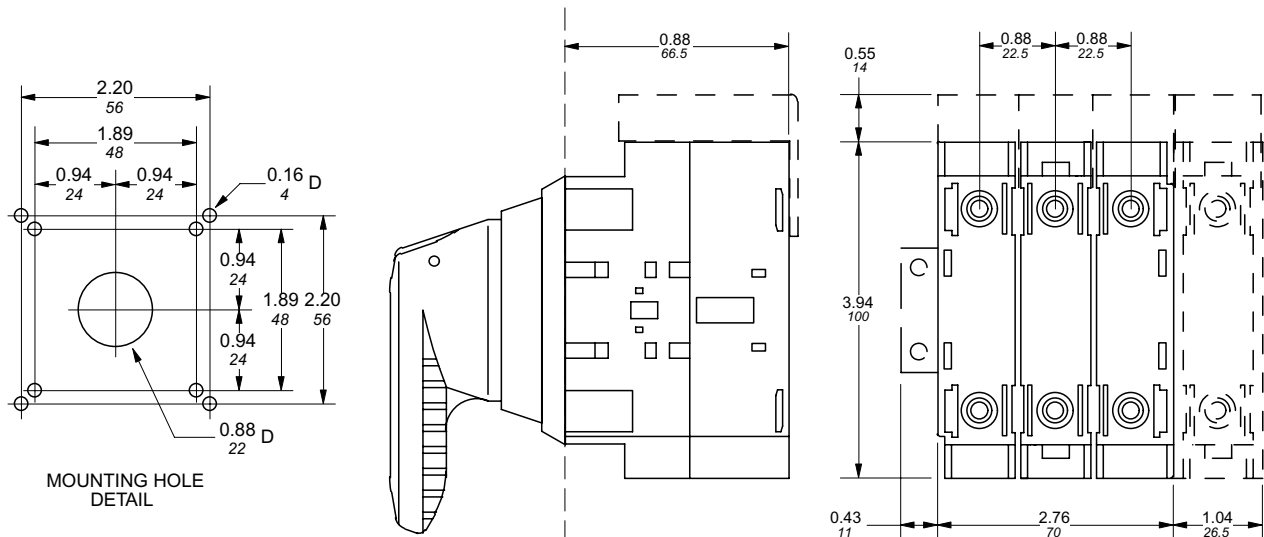
OT16ET3, OT25ET3, OT32ET3 — door mounted switch



OT45ET3, OT63ET3 — door mounted switch



OT30ET3, OT60ET3, OT100ET3 — door mounted switch

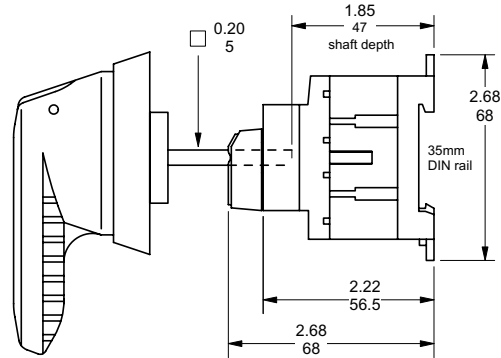
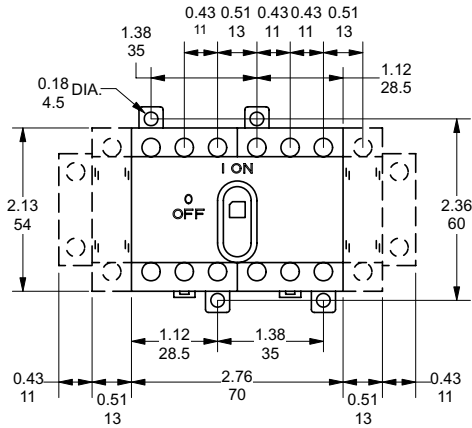


Disconnect
switches
Non-fusible

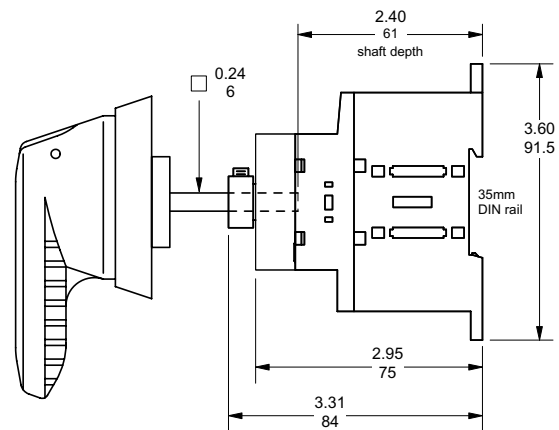
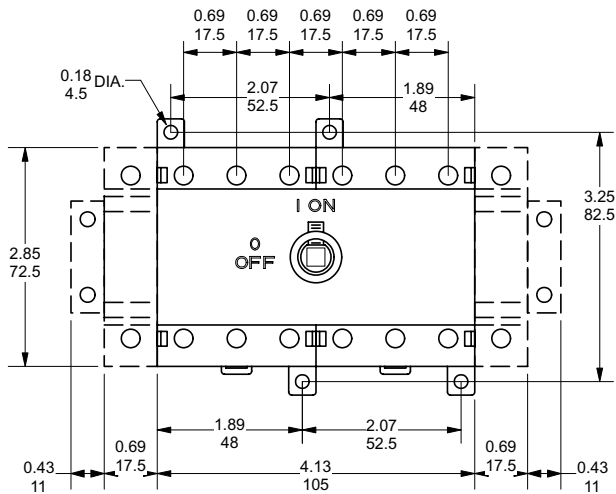
Approximate dimensions OT16E6 & E8 – OT100E6 & E8 6-pole switches

00.00 Inches
00.00 [Millimeters]

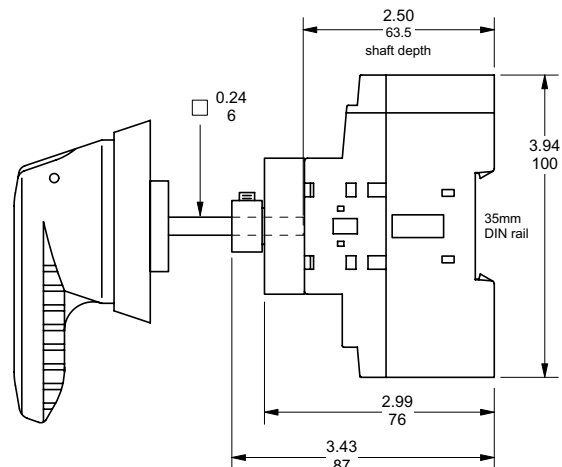
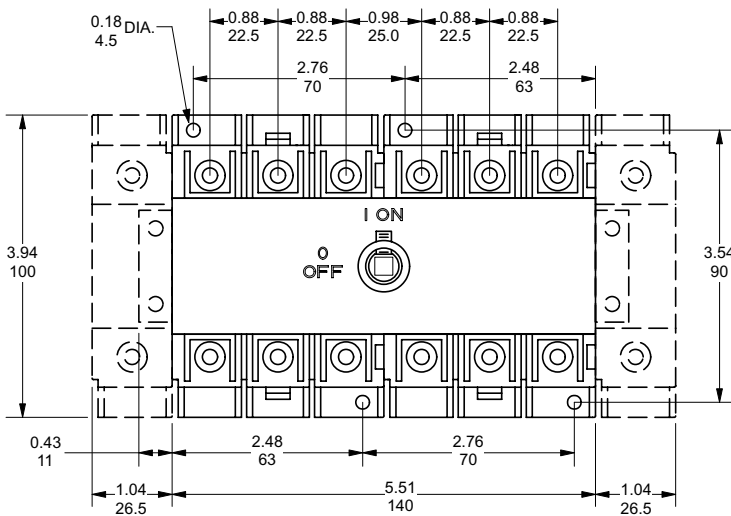
OT16, 25, 32E6 & E8 — 6 Pole switches



OT45, 63E6 & E8 — 6 Pole switches



17 OT100E6 & E8 — 6 Pole switches

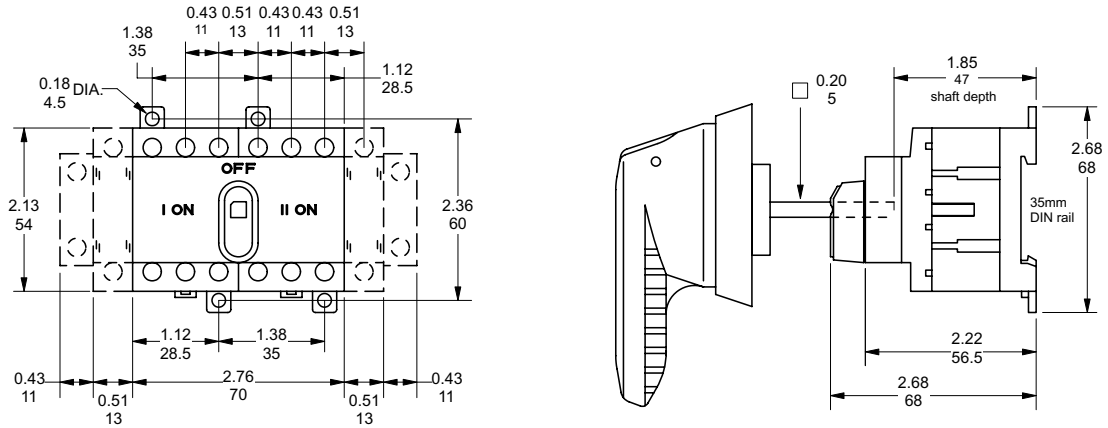


Approximate dimensions OT16E3C & E4C – OT100E3C & E4C Transfer switches

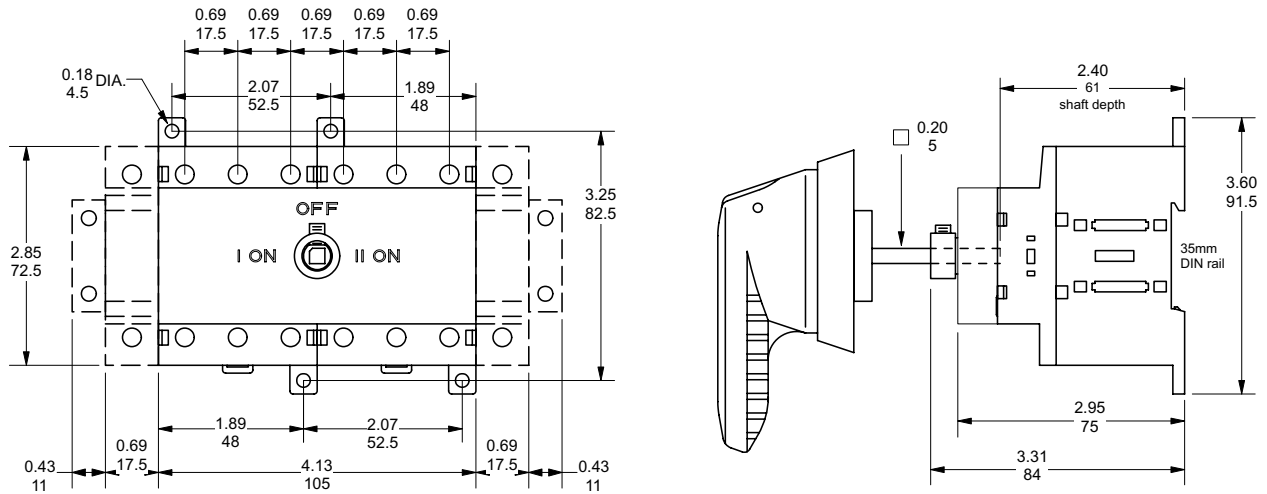
Disconnect
switches
Non-fusible

00.00 Inches
00.00 [Millimeters]

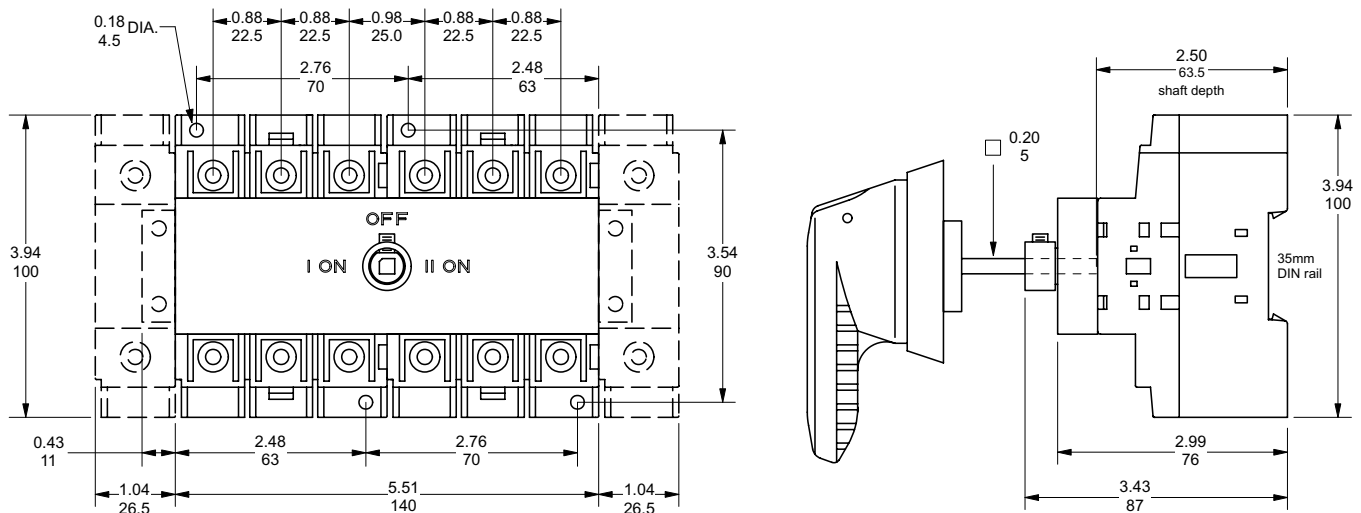
OT16, 25, 32E3C & E4C – Transfer switches



OT45, 63E3C & E4C – Transfer switches



OT100E3C & E4C – Transfer switches

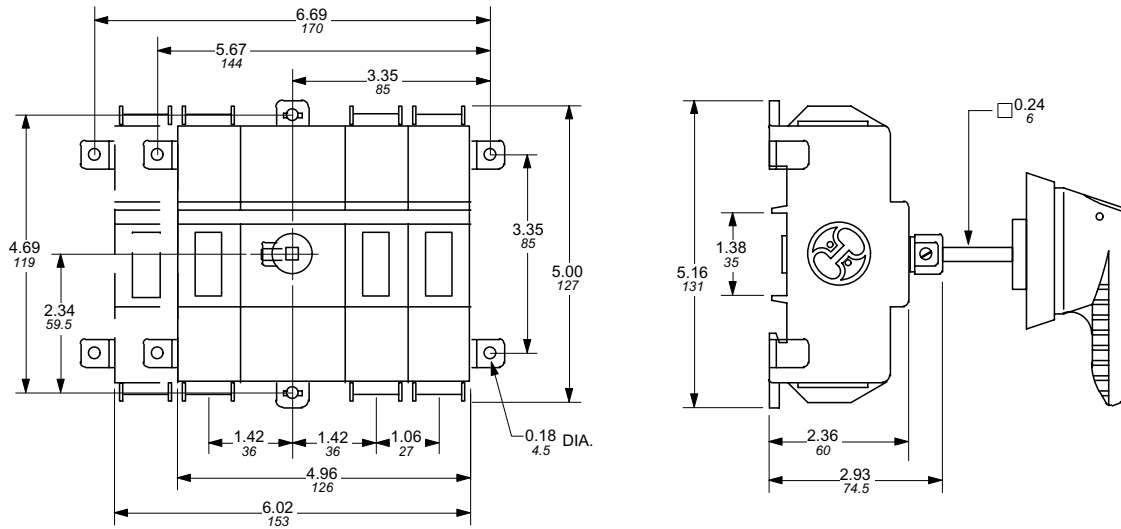


Disconnect
switches
Non-fusible

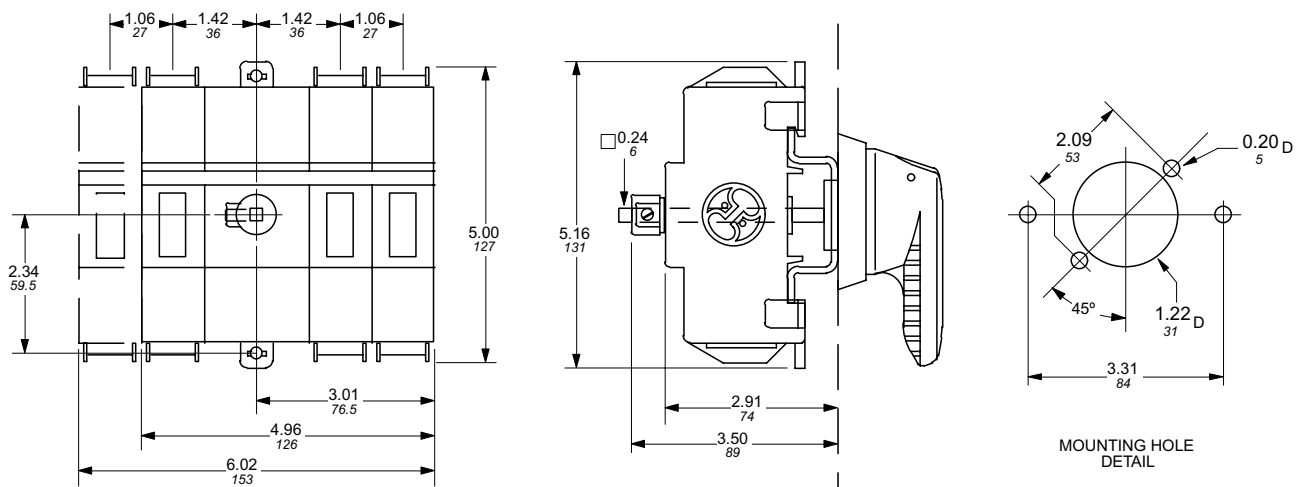
Approximate dimensions OT160E3 & OT160ET3

00.00 Inches
00.00 [Millimeters]

OT160E3 — base & DIN rail mounted switch



OT160ET3 — Door mounted switch



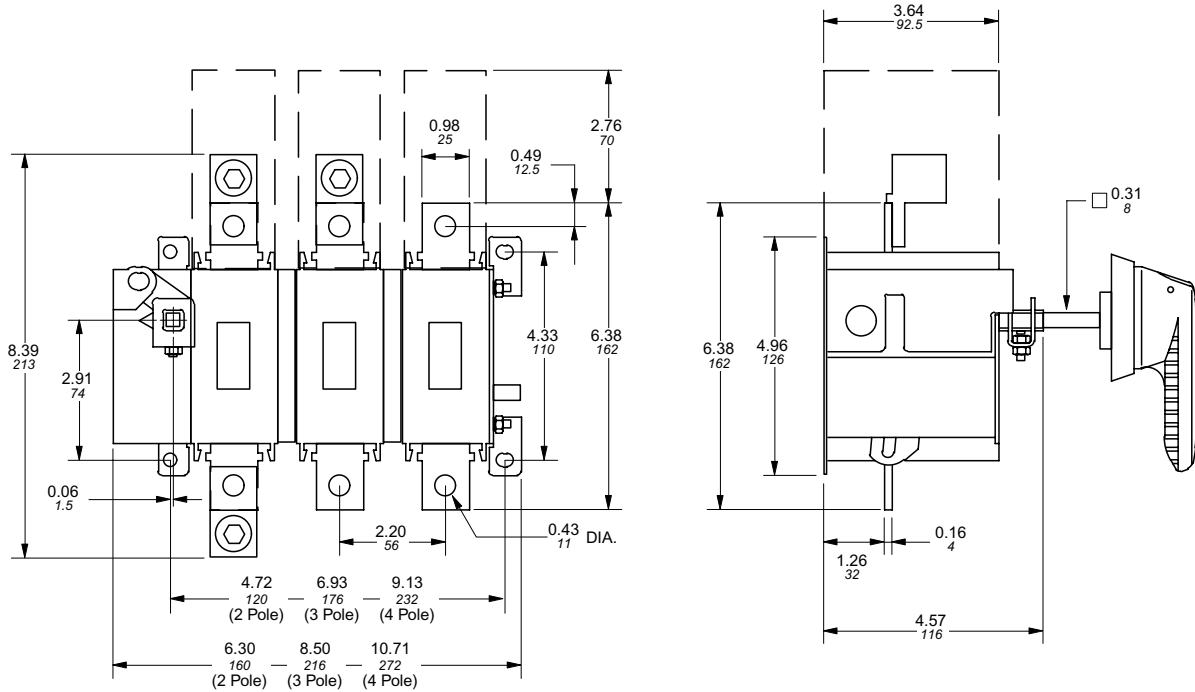
17

Approximate dimensions OETL-NF200 – OETL-NF400

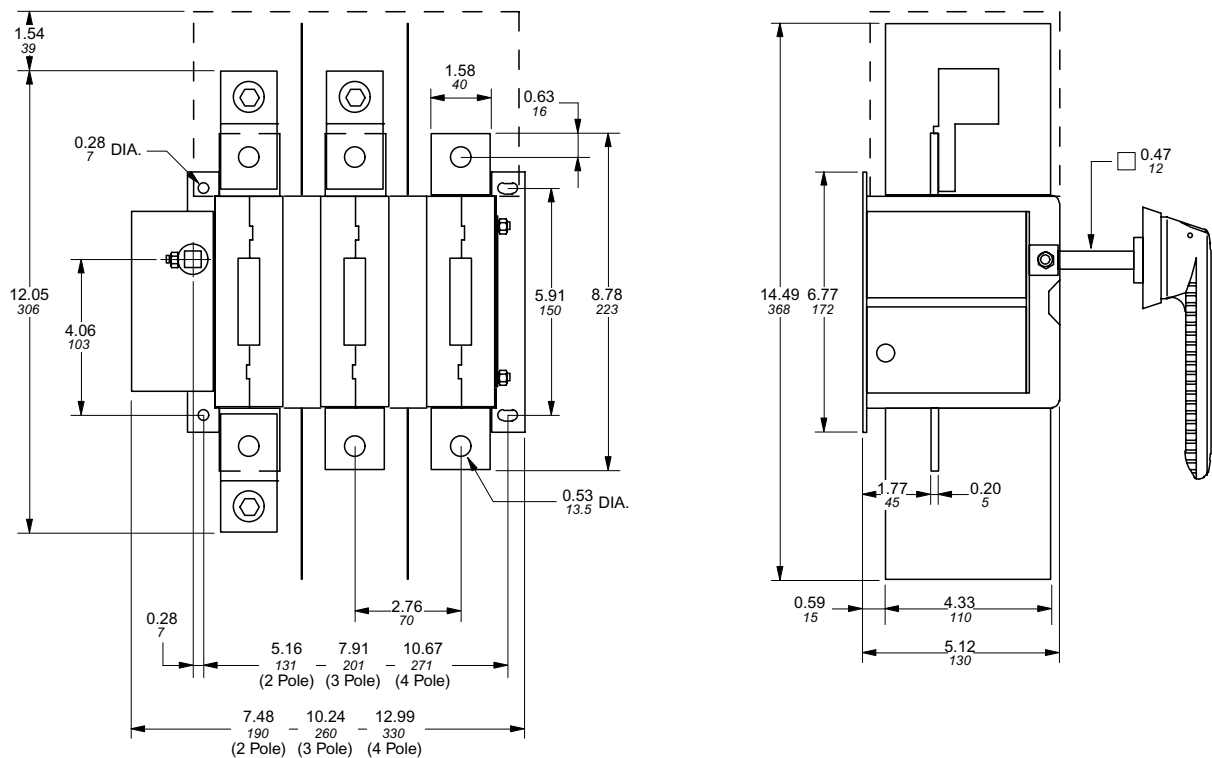
Disconnect
switches
Non-fusible

00.00 Inches
00.00 [Millimeters]

OETL-NF200A



OETL-NF400

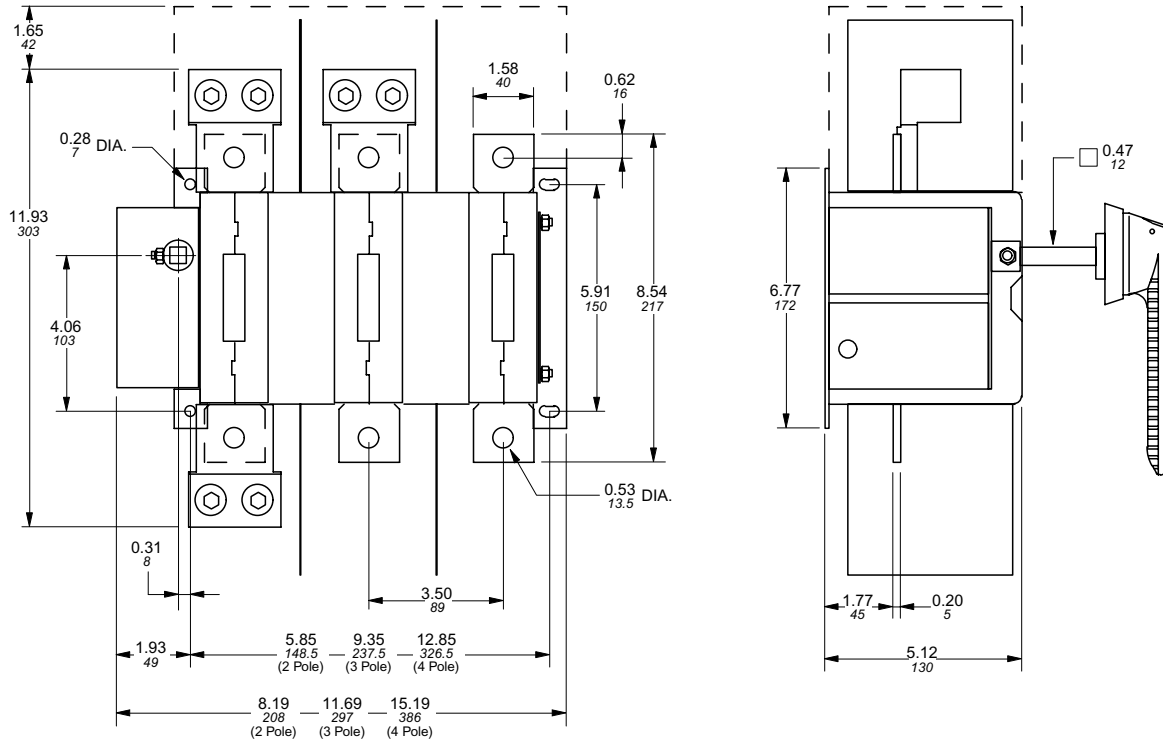


Disconnect
switches
Non-fusible

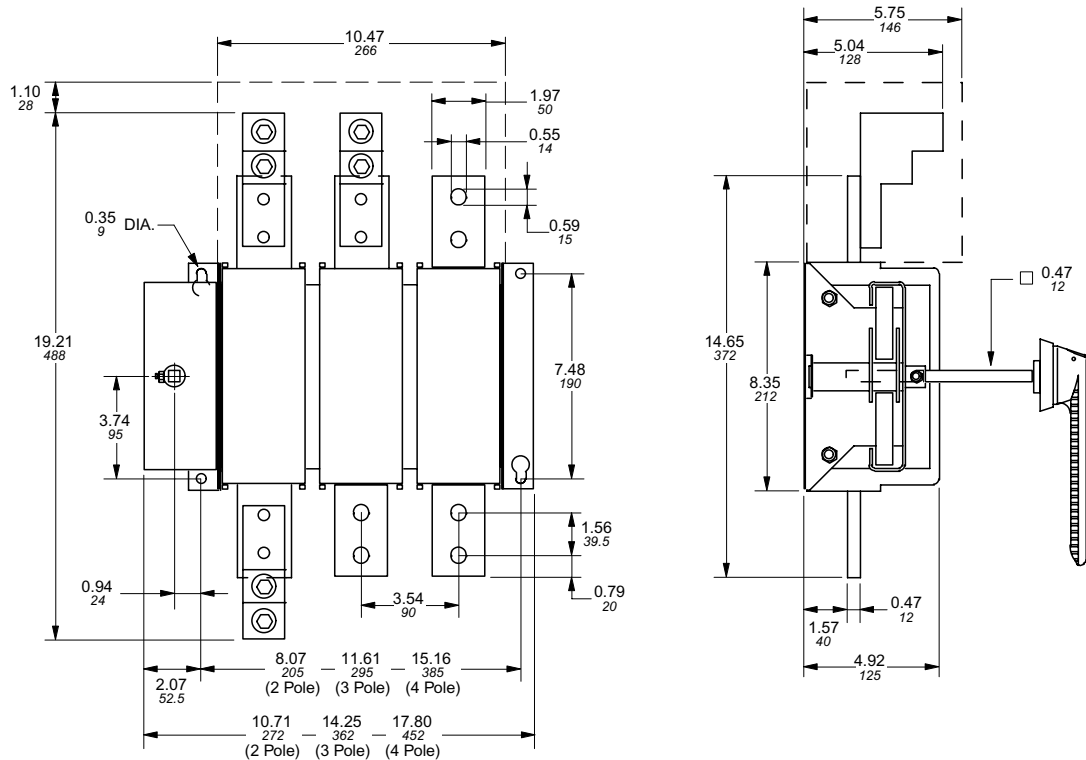
Approximate dimensions OETL-NF600A – OETL-NF800A

00.00 Inches
00.00 [Millimeters]

OETL-NF600A



OETL-NF800A

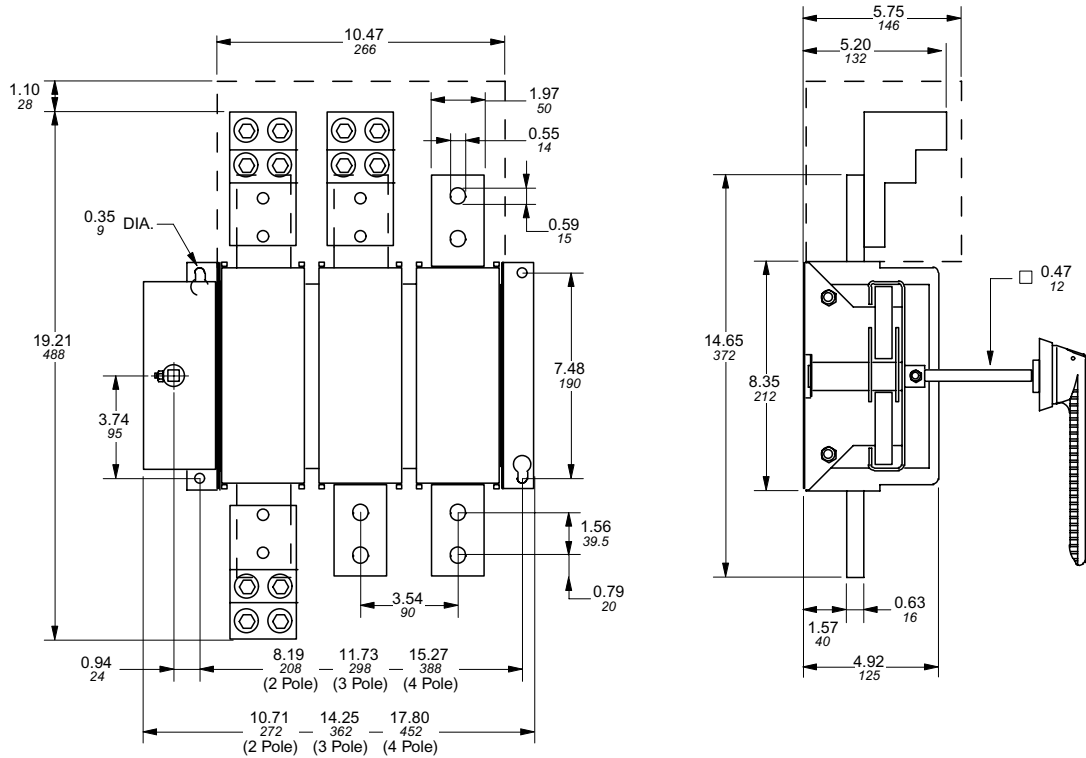


Approximate dimensions OETL-NF1200 – OETL-NF1600

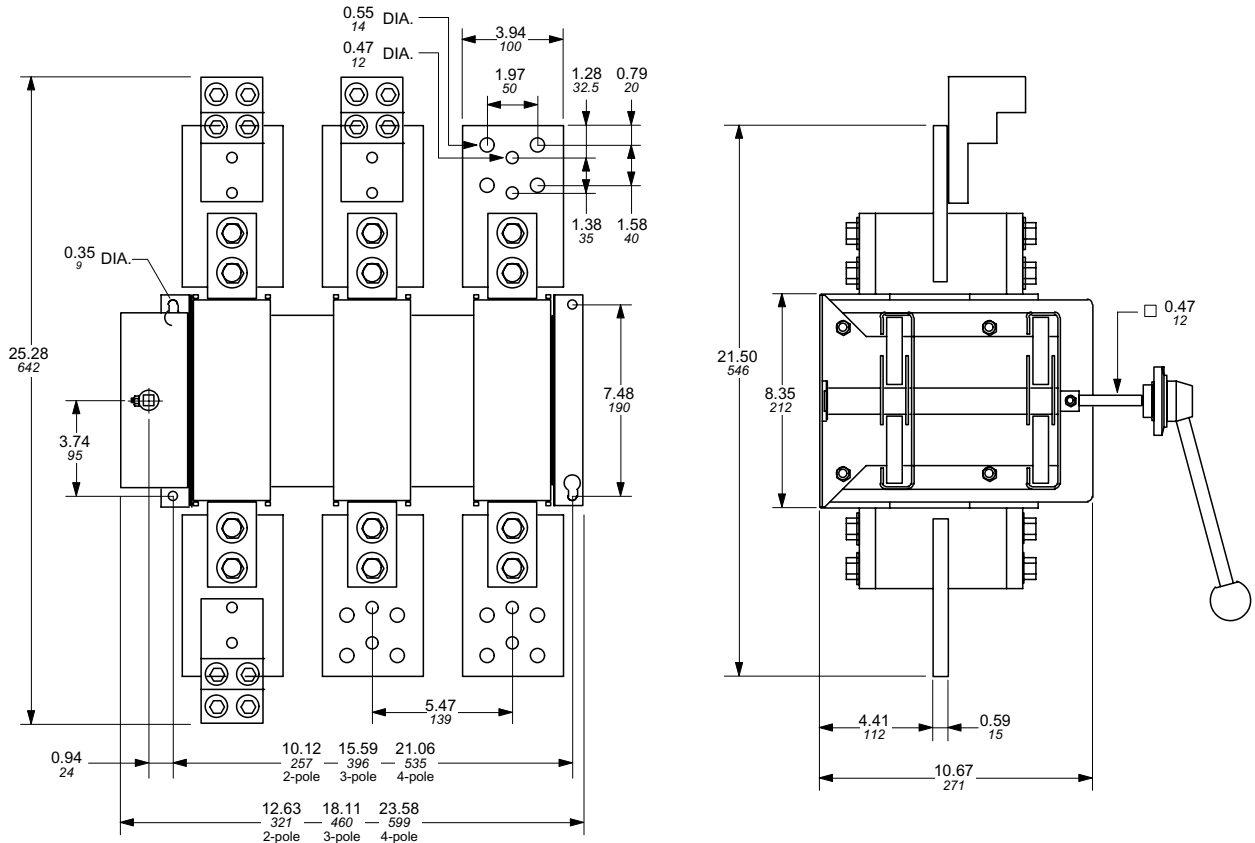
Disconnect
switches
Non-fusible

00.00 Inches
00.00 [Millimeters]

OETL-NF1200



OETL-NF1600

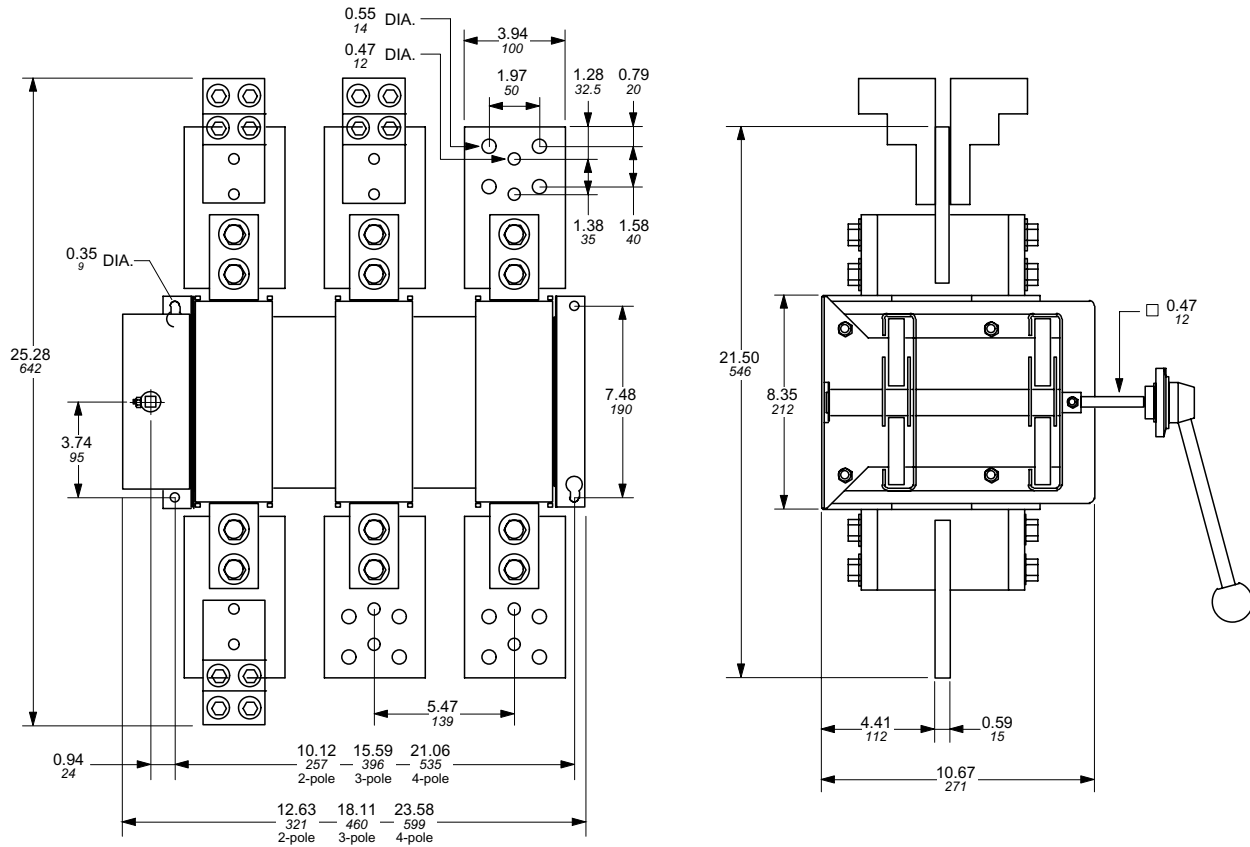


Disconnect
switches
Non-fusible

Approximate dimensions OETL-NF2000 – OETL-NF3150

00.00 Inches
00.00 [Millimeters]

OETL-NF2000 – OETL-NF3150

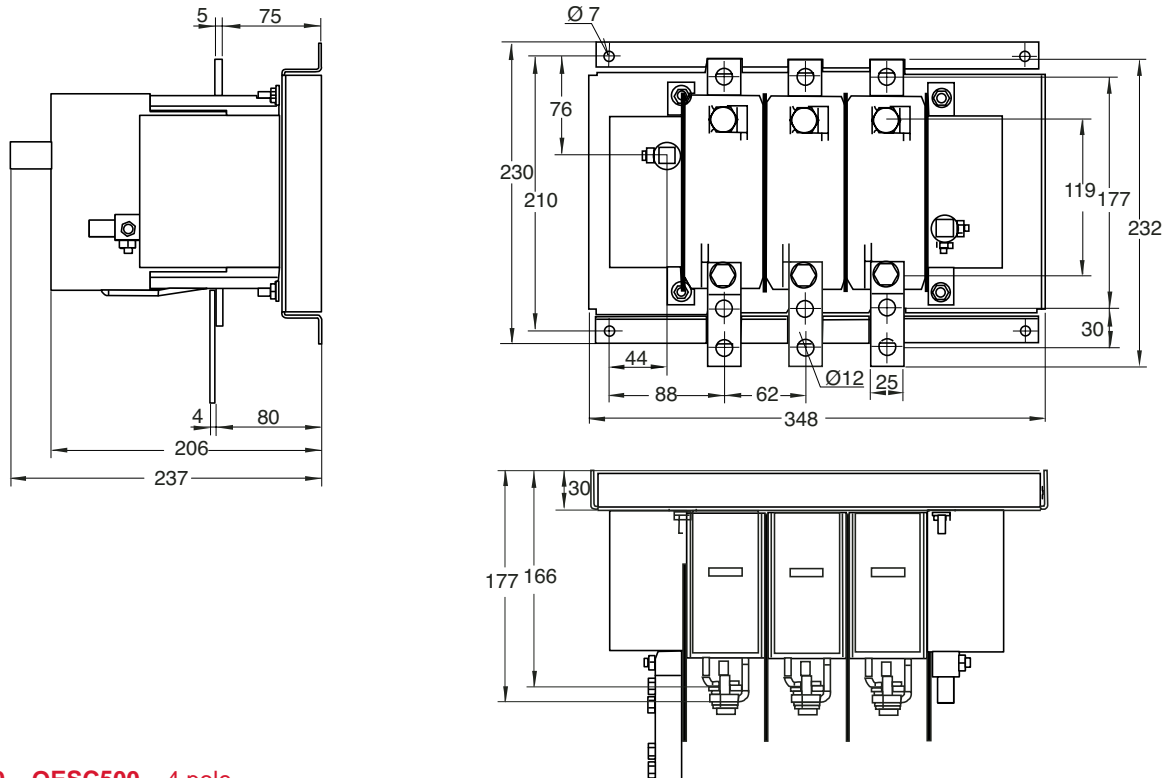


Approximate dimensions OESC250 — OESC500

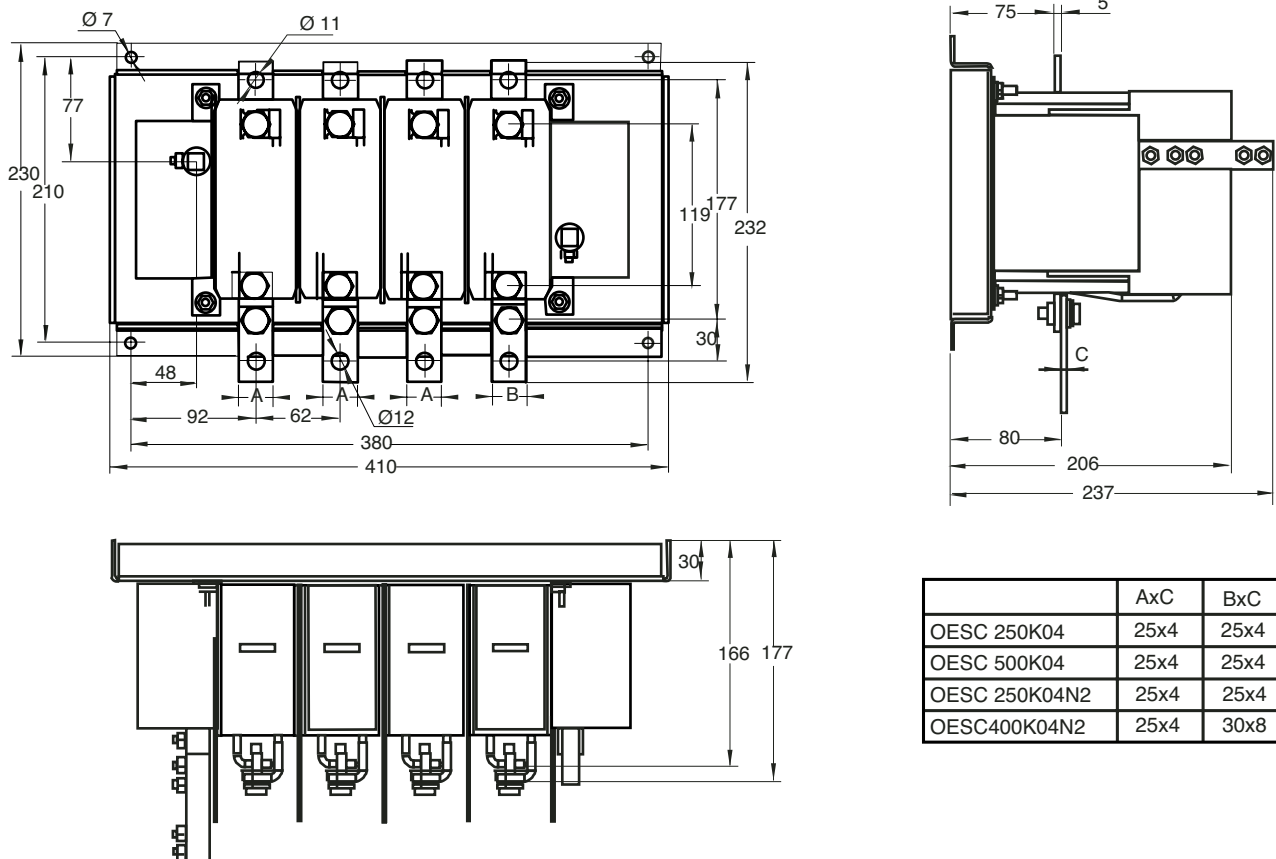
Disconnect
switches
Non-fusible

00.00 Inches
00.00 [Millimeters]

OESC250 – OESC500 – 3 pole



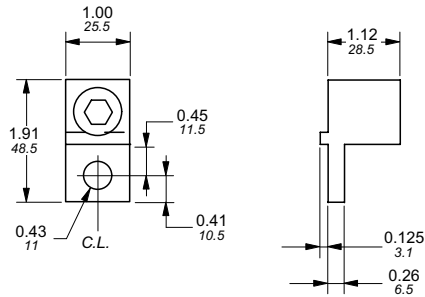
OESC250 – OESC500 – 4 pole



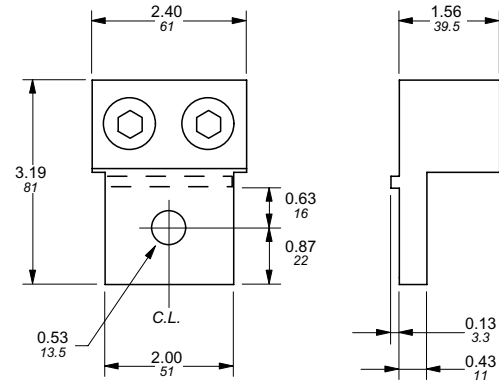
Approximate dimensions for Terminal lugs

00.00 Inches
00.00 [Millimeters]

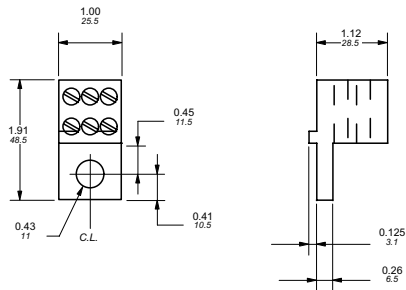
OZXA-25 — for use with 200A switches



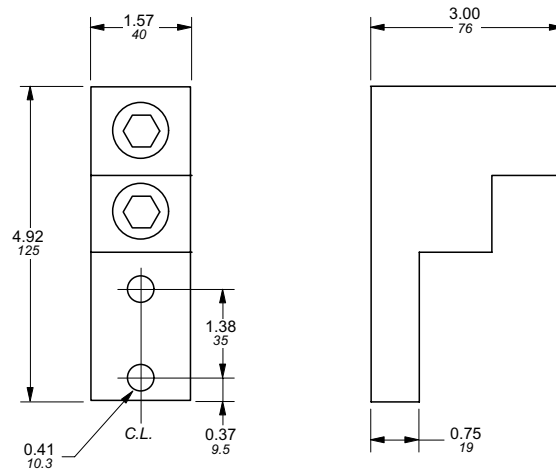
OZXA-27 — for use with 600A switches



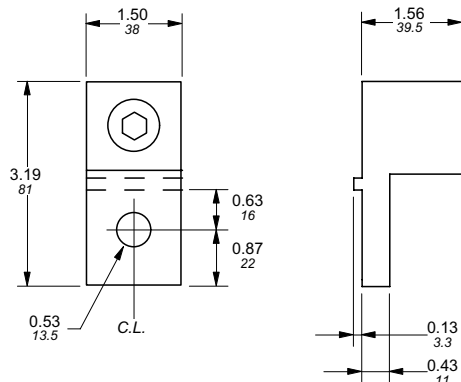
OZXA-175 — for use with 200A switches



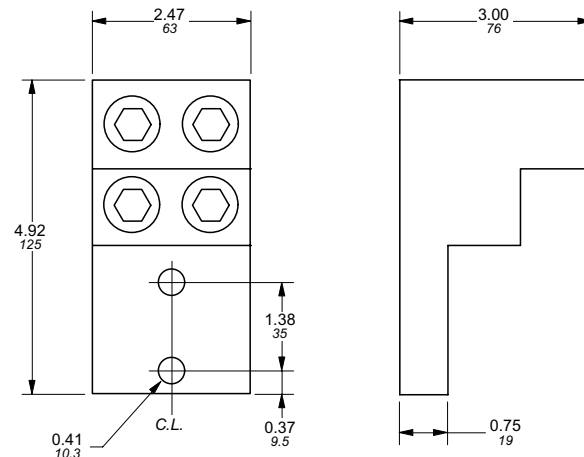
OZXA-30 — for use with 800A switches



OZXA-26 — for use with 400A switches



OZXA-28 & OZXA-28/2 — for use with 1200A – 3150A switches

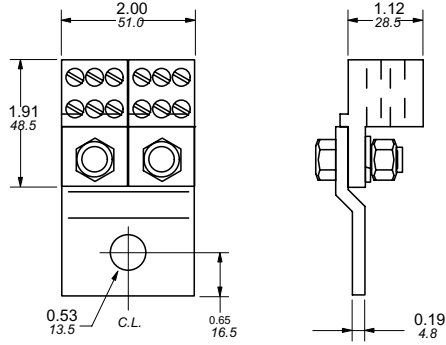


Approximate dimensions for Terminal lugs

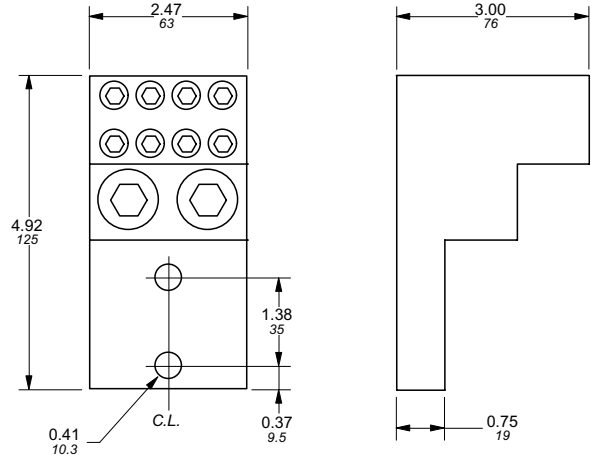
Disconnect
switches
Non-fusible

00.00 Inches
00.00 [Millimeters]

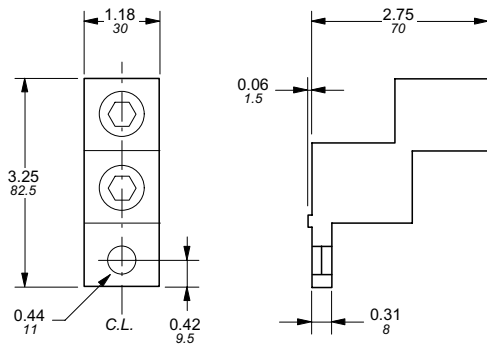
OZXA-175/400 — for use with 400A - 600A switches



OZXA-32 — for use with 800A - 1600A switches



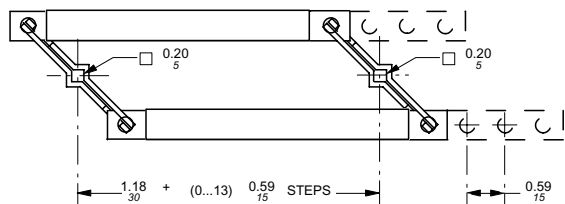
OZXA-33 — for use with 400A switches



Approximate dimensions for 16A – 100A conversion mechanisms

00.00 Inches
00.00 [Millimeters]

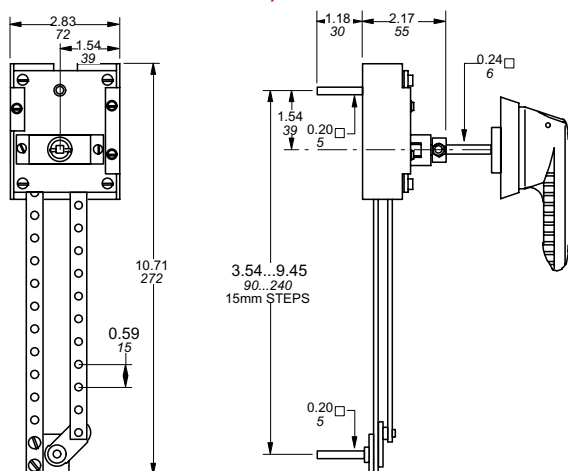
6 or 8 pole — OTZW8



For installation of 6 or 8 pole, transfer and bypass mechanisms, the following minimum and maximum mounting dimensions are given below.

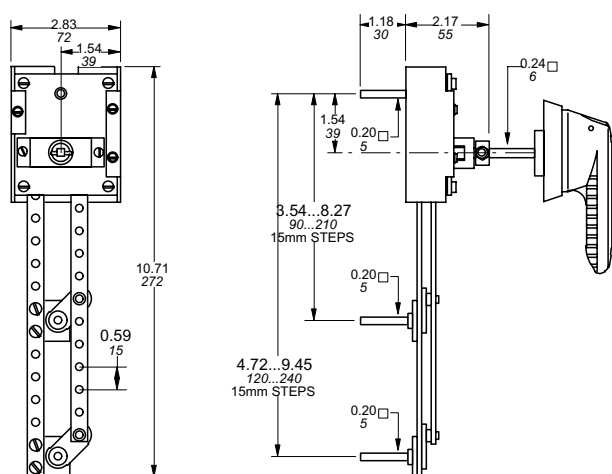
OTZW8 in combination with:	Minimum inches/mm	Maximum inches/mm
OT16E3, OT25E3, OT32E3	3.07/78	N/A
OT45E3, OT63E3	3.74/95	N/A
OT30E3, OT60E3, OT100E3	3.82/97	N/A

Transfer switch — OTZW6, OTZW6X



OTZW6, OTZW6X in combination with:	Minimum inches/mm	Maximum ^① inches/mm
OT16E3, OT25E3, OT32E3	4.61/117	6.57/167
OT45E3, OT63E3	5.31/135	7.28/185
OT30E3, OT60E3, OT100E3	4.84/123	6.81/173

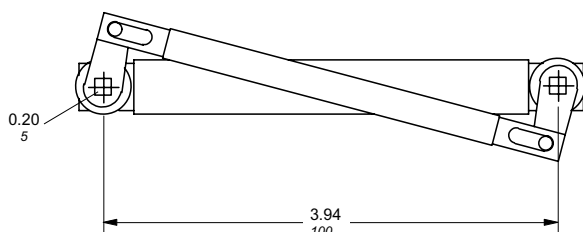
Bypass switch — OTZW17, OTZW17X



OTZW17, OTZW17X in combination with:	Minimum inches/mm	Maximum ^① inches/mm
OT16E3, OT25E3, OT32E3	4.61/117	6.57/167
OT45E3, OT63E3	5.31/135	7.28/185
OT30E3, OT60E3, OT100E3	4.84/123	6.81/173

17

Mechanical interlock — OETL-ZW24



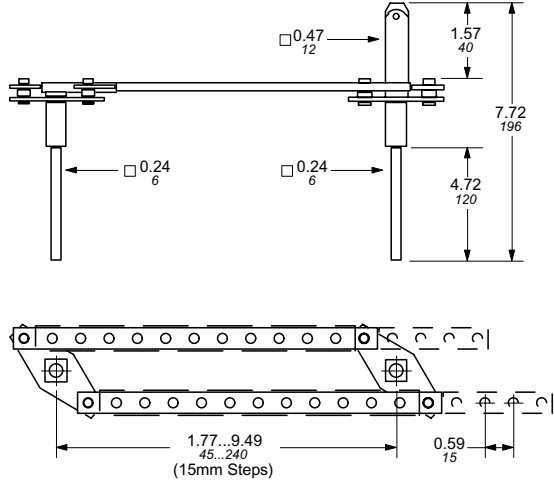
OETL-ZW24 in combination with:	Minimum inches/mm	Maximum ^① inches/mm
OT16E3, OT25E3, OT32E3	3.39 / 86	—
OT45E3, OT63E3	4.09 / 104	—
OT30E3, OT60E3, OT100E3	4.13 / 105	—

① Deeper enclosures will require a longer shaft. Please select a 5mm shaft from page 17.10.

Approximate dimensions for 125A conversion mechanisms

00.00 — Inches
00.00 — [Millimeters]

6 or 8 pole — OESA-ZW2

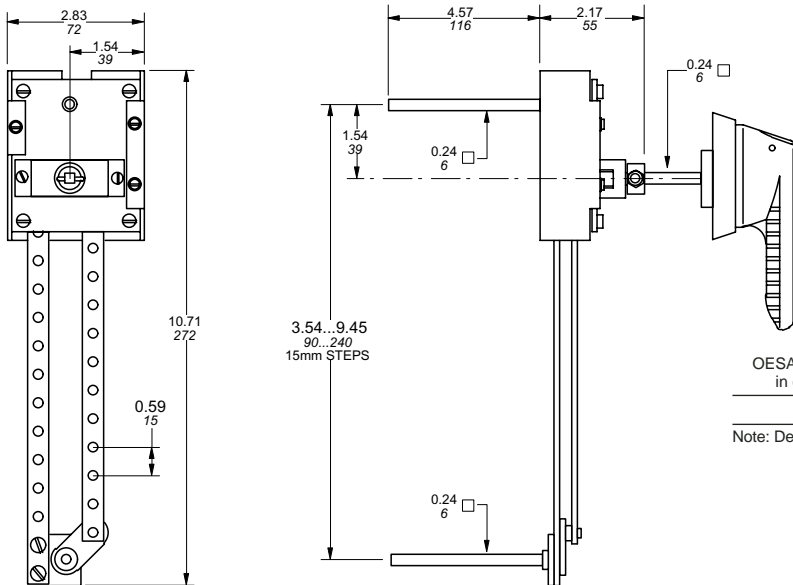


For installation of 6 or 8 pole, transfer and bypass mechanisms, the following minimum and maximum mounting dimensions are given below.

OESA-ZW2 in combination with:	Minimum inches/mm	Maximum inches/mm
OT160E3	5.35/136	9.49/241

Note: Deeper enclosures will require a longer shaft. Please select a 12mm shaft from page 17.27 and an OETL-ZX95 shaft extension coupler from page 17.29.

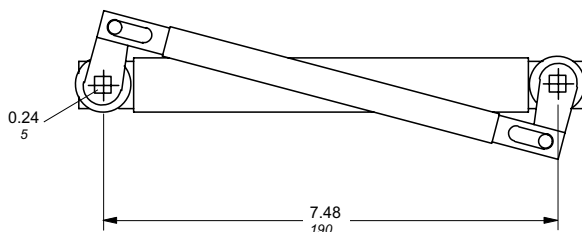
Transfer switch — OESA-ZW1, OESA-ZW1X



OESA-ZW1, OESA-ZW1X in combination with:	Minimum inches/mm	Maximum inches/mm
OT160E3	4.61/117	6.57/167

Note: Deeper enclosures will require a longer shaft. Please select a 6mm shaft from page 17.20.

Mechanical interlock — OTZW10



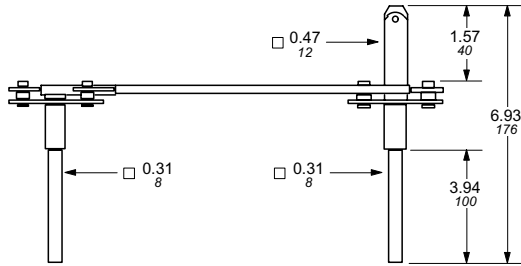
OTZW10 in combination with:	Minimum inches/mm	Maximum inches/mm
OT160E3	4.13 / 105	—

Note: Deeper enclosures will require a longer shaft. Please select a 6mm shaft from page 17.20.

Approximate dimensions for 200A conversion mechanisms

00.00 Inches
00.00 [Millimeters]

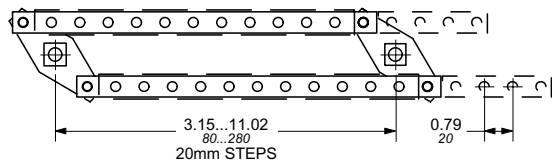
6 or 8 pole — OETL-ZW18



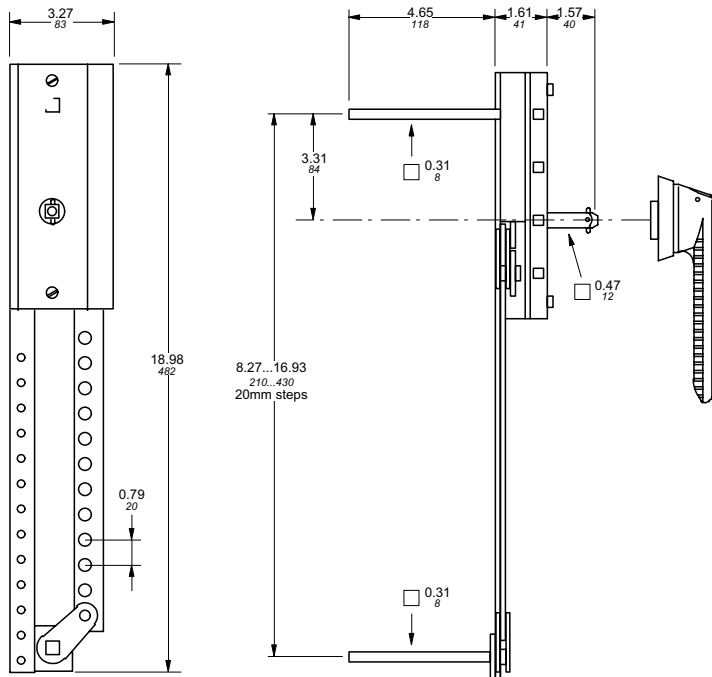
For installation of 6 or 8 pole, transfer and bypass mechanisms, the following minimum and maximum mounting dimensions are given below.

OETL-ZW18 in combination with:	Minimum inches/mm	Maximum ^① inches/mm
OETL-NF200A	6.97/177	10.31/262

NOTE: Includes OHB145J12 handle



Transfer switch — OETL-ZW20, OETL-ZW20X



OETL-ZW20, OETL-ZW20X in combination with:	Minimum inches/mm	Maximum ^① inches/mm
OETL-NF200A	7.09/180	10.83/275

NOTE: Includes OHB145J12E011 handle

① Deeper enclosures will require a longer shaft. Please select a 12mm shaft from page 17.27 and an OETL-ZX95 shaft extension coupler from page 17.29.

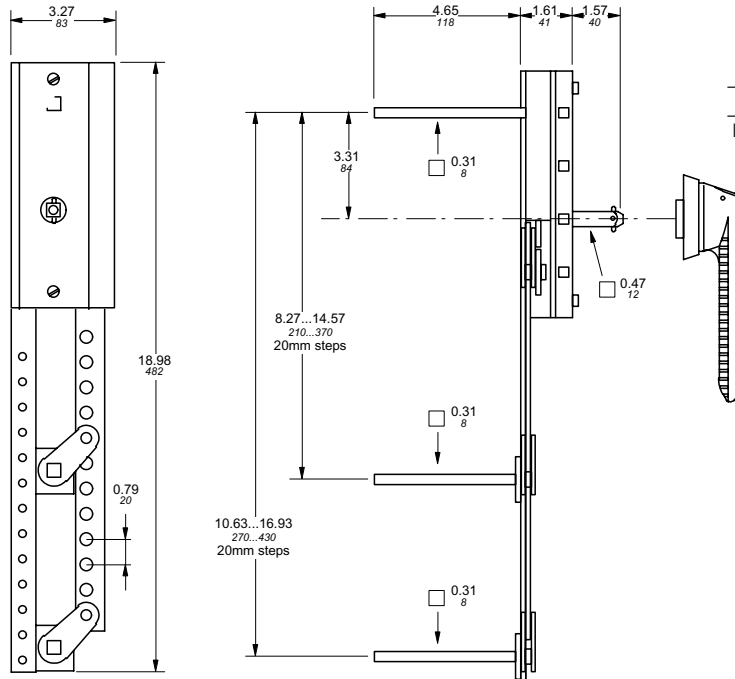
Approximate dimensions for 200A conversion mechanisms

Disconnect
switches
Non-fusible

00.00 Inches
00.00 [Millimeters]

Bypass switch — OETL-ZW21, OETL-ZW21X

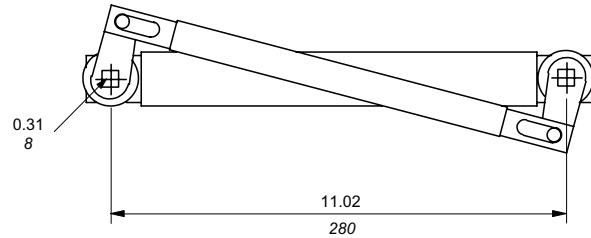
For installation of 6 or 8 pole, transfer and bypass mechanisms, the following minimum and maximum mounting dimensions are given below.



OETL-ZW21, OETL-ZW21X in combination with:	Minimum inches/mm	Maximum ^① inches/mm
OETL-NF200A	7.09/180	10.83/275

NOTE: Includes OHB145J12E011 handle

Mechanical interlock — OETL-ZW19



OETL-ZW19 in combination with:	Minimum inches/mm	Maximum ^① inches/mm
OETL-NF200A	5.71/145	—

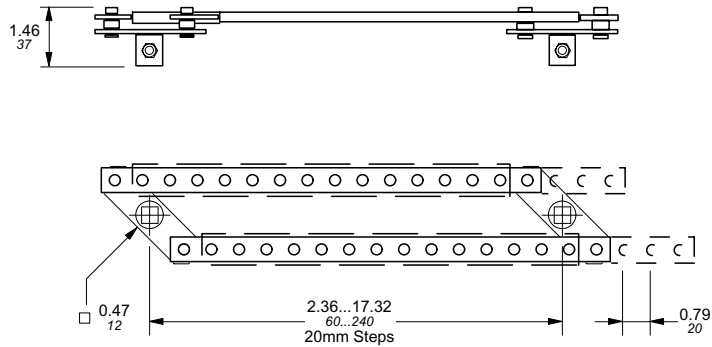
① Deeper enclosures will require a longer shaft. Please select a 12mm shaft from page 17.27 and an OETL-ZX95 shaft extension coupler from page 17.29.

Approximate dimensions for 400A – 1200A conversion mechanisms

← 00.00 → Inches
00.00 [Millimeters]

6 or 8 pole — OETL-ZW9

For installation of 6 or 8 pole, transfer and bypass mechanisms, the following minimum and maximum mounting dimensions are given below.



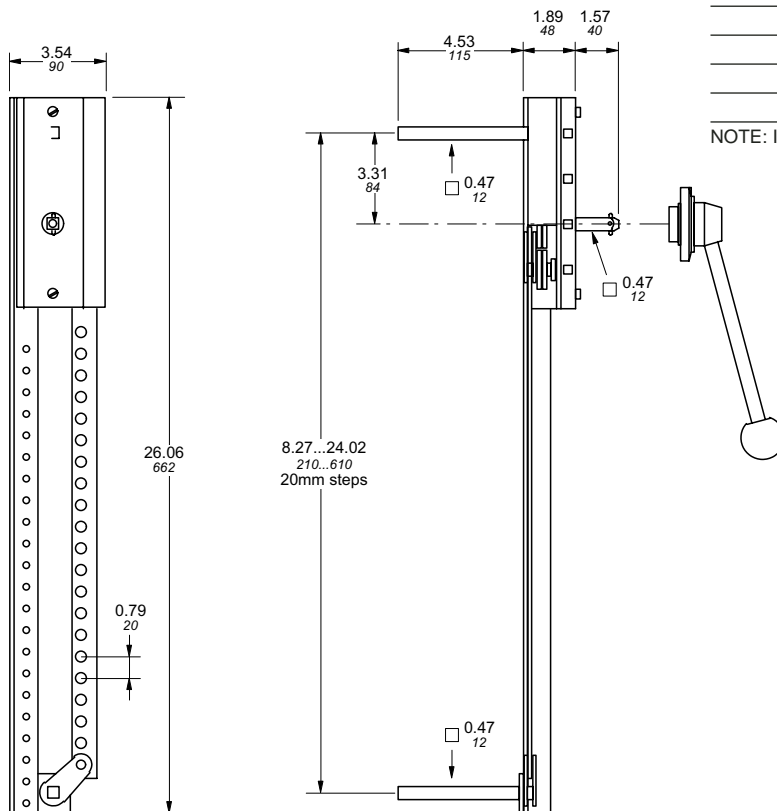
OETL-ZW9 in combination with:	Minimum inches/mm	Maximum inches/mm
OETL-NF400	7.52/191	N/A
OETL-NF600A	7.52/191	N/A
OETL-NF800A	7.52/191	N/A
OETL-NF1200	7.52/191	N/A

NOTE: Handle not included

Transfer switch — OETL-ZW12

OETL-ZW12 in combination with:	Minimum inches/mm	Maximum ^① inches/mm
OETL-NF400	8.19/208	11.73/298
OETL-NF600A	8.19/208	11.73/298
OETL-NF800A	8.19/208	11.73/298
OETL-NF1200	8.19/208	11.73/298

NOTE: Includes YASDA-21 handle



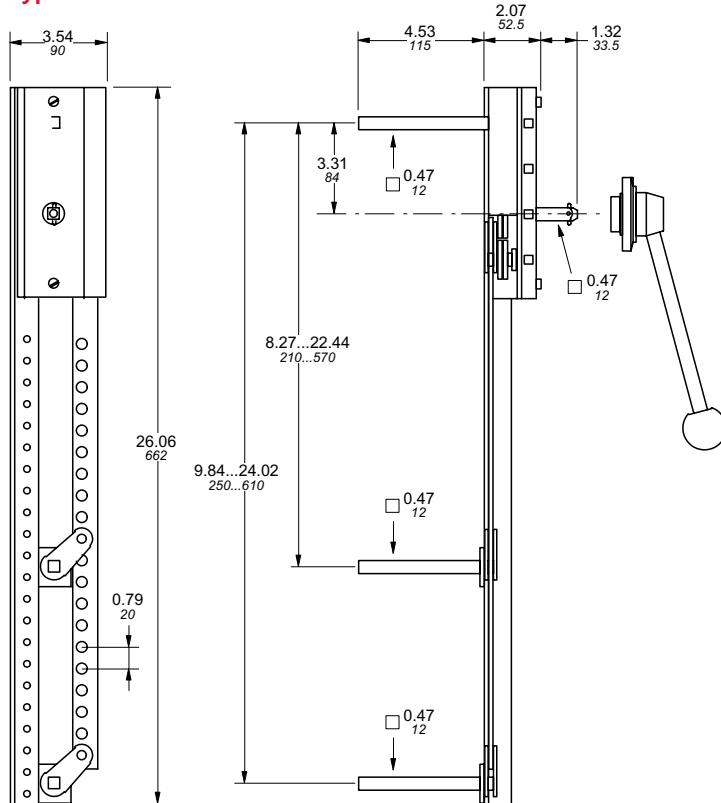
① Deeper enclosures will require a longer shaft. Please select a 12mm shaft from page 17.27 and an OETL-ZX95 shaft extension coupler from pg. 17.29.

Approximate dimensions for 400A – 1200A conversion mechanisms

Disconnect
switches
Non-fusible

00.00 Inches
00.00 [Millimeters]

Bypass switch — OETL-ZW13

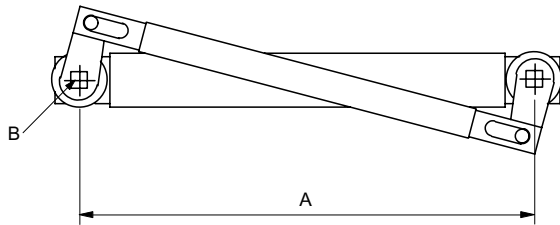


For installation of 6 or 8 pole, transfer and bypass mechanisms, the following minimum and maximum mounting dimensions are given below.

OETL-ZW12 in combination with:	Minimum inches/mm	Maximum ^① inches/mm
OETL-NF400	8.19/208	11.73/298
OETL-NF600A	8.19/208	11.73/298
OETL-NF800A	8.19/208	11.73/298
OETL-NF1200	8.19/208	11.73/298

NOTE: Includes YASDA-21 handle

Mechanical interlock — OETL-ZW3, OETL-ZW14, OETL-ZW15



Dimensions in Inches
& mm

	A	B
OETL-ZW3	11.81 300.0	0.47 12.0
OETL-ZW14	9.84 250.0	0.47 12.0
OETL-ZW15	19.69 500.0	0.47 12.0

OETL-ZW3, 14 & 15 in combination with:	Minimum inches/mm	Maximum ^① inches/mm
OETL-NF400 – OETL-NF600	6.50/165	—
OETL-NF800 – OETL-NF1200	6.30/160	—
OETL-NF1600 – OETL-NF3150	12.00/305	—

NOTE: Handle(s) not included.

NOTE: OETL-ZW15 is the only mechanical interlock OETL-NF1200 – OETL-NF3150 can use.

① Deeper enclosures will require a longer shaft. Please select a 12mm shaft from page 17.27 and an OETL-ZX95 shaft extension coupler from page 17.29.

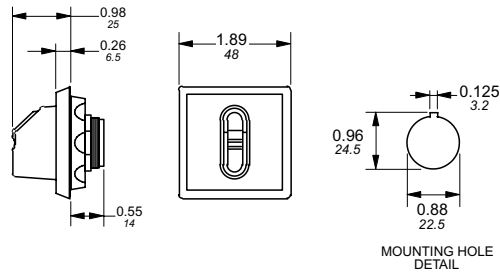
Approximate dimensions for Handles

00.00 Inches
00.00 [Millimeters]

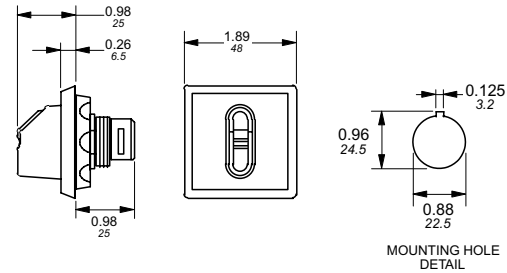
Selector handles for base and DIN rail mounted switches

Selector handles for door mounted switches

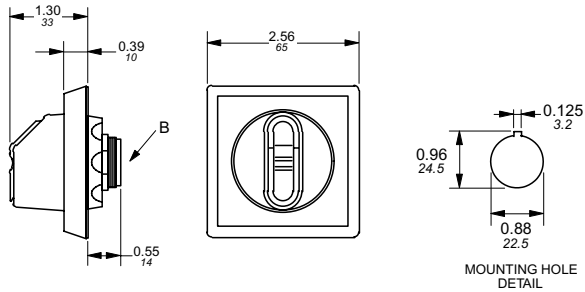
OH_1AH1 & OH_3AH1



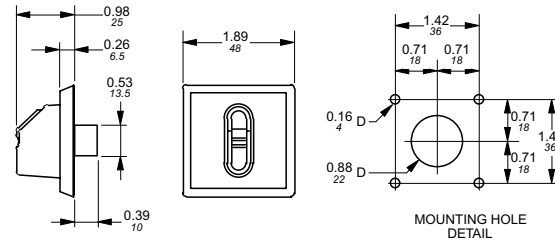
OH_1P_ & OH_3P_



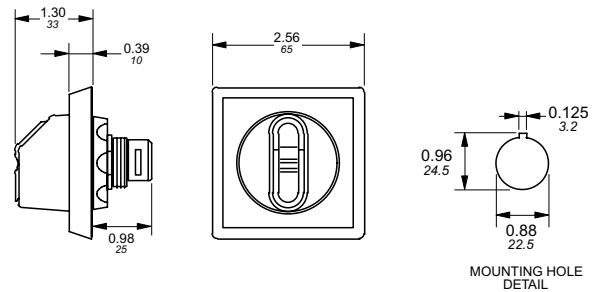
OH_2A_



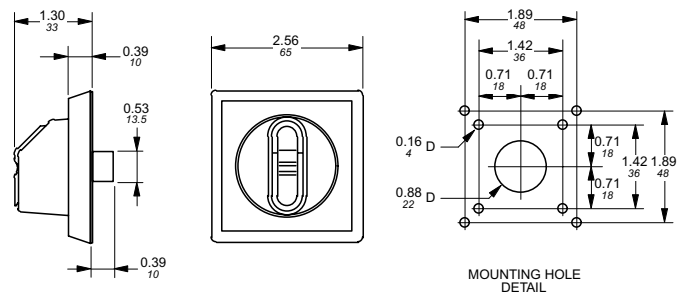
OH_1R_ & OH_3R_



OH_2P_



OH_2R_

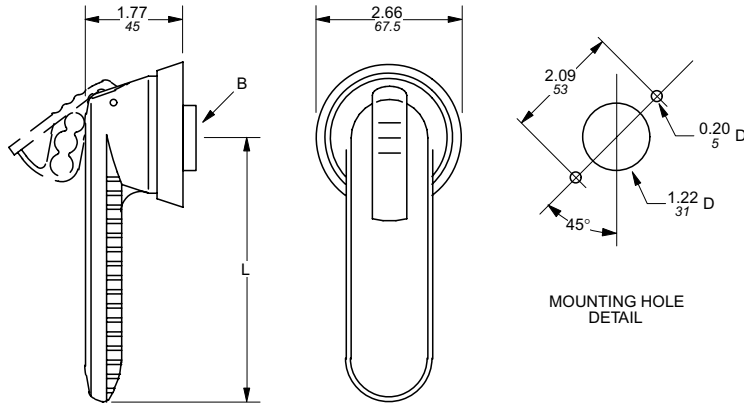


Approximate dimensions for Handles

Disconnect
switches
Non-fusible

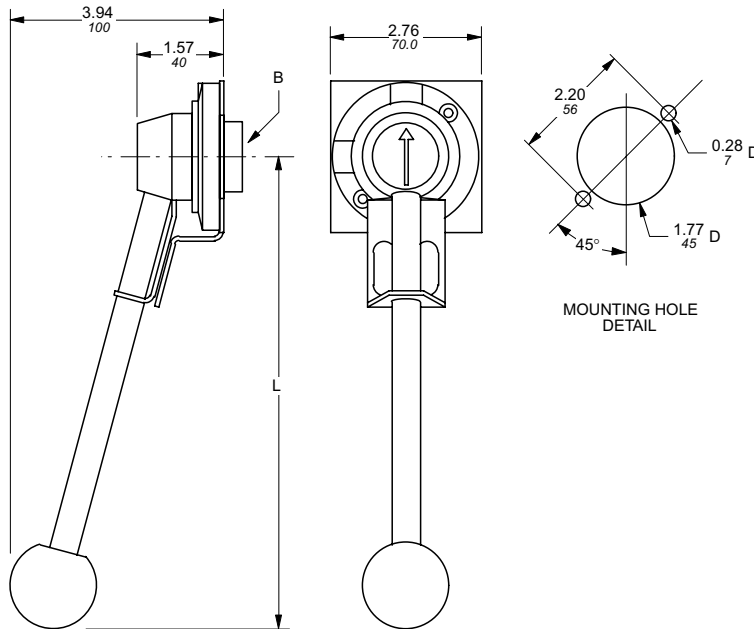
00.00 Inches
00.00 [Millimeters]

Pistol handles



A Catalog number	L Inches/ mm	□B Shaft size Inches/ mm	NEMA / UL Type
OH_45J5	1.8/45	0.20/5	1, 3R, 12
OH_65J5	2.6/65	0.20/5	1, 3R, 12
OH_45J6	1.8/45	0.24/6	1, 3R, 12
OH_65J6	2.6/65	0.24/6	1, 3R, 12
OH_80J6	3.1/80	0.24/6	1, 3R, 12
OH_65J8	2.6/65	0.31/8	1, 3R, 12
OH_80J8	3.1/80	0.31/8	1, 3R, 12
OH_125J12	4.9/125	0.47/12	1, 3R, 12
OH_145J12	5.7/145	0.47/12	1, 3R, 12
OH_175J12	6.9/175	0.47/12	1, 3R, 12
OH_65L5	2.6/65	0.20/5	1, 3R, 4, 4X, 12
OH_80L6	3.1/80	0.24/6	1, 3R, 4, 4X, 12
OH_80L8	3.1/80	0.31/8	1, 3R, 4, 4X, 12
OH_145L12	5.7/145	0.47/12	1, 3R, 4, 4X, 12
OH_175L12	6.9/175	0.47/12	1, 3R, 4, 4X, 12

__ = Handle color, B (Black) or Y (Red/Yellow)



A catalog number	L inches/mm	□B Shaft size inches/mm	NEMA Type
YASDA-7	8.66/220	0.47/12	1, 3R, 4, 4X, 12
YASDA-8	8.66/220	0.47/12	1, 3R, 4, 4X, 12
YASDA-21	8.66/220	0.47/12	1, 3R, 4, 4X, 12
YASDA-6	12.60/320	0.47/12	1, 3R, 4, 4X, 12

Disconnect
switches
Non-fusible

Notes

← 00.00 → Inches
00.00 [Millimeters]