



3-5700.090-1 Rev. K 3/06 English/ORP



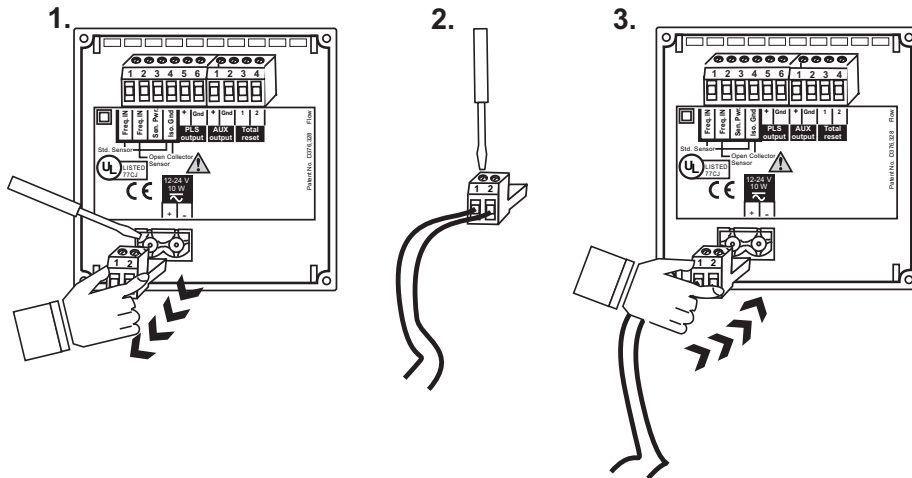
CAUTION!

- Refer to instruction manual for more details.
- Remove power to unit before wiring input and output connections.
- Follow instructions carefully to avoid personal injury.

Contents

- | | |
|---|------------------------------------|
| 1. Power Connections | 6. Menu Functions |
| 2. Compatible Electrode/Preamp Wiring | 7. Parts and Accessories |
| 3. 4 - 20 mA Current Output Connections | 8. Specifications |
| 4. Relay Connections | 9. Quick Reference Menu Parameters |
| 5. Relay Operation | 10. Troubleshooting |
| | 11. Maintenance |

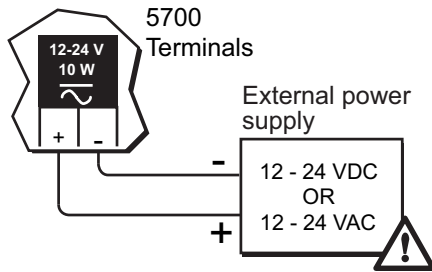
Remove terminal blocks for easy wiring



1. Power Connections

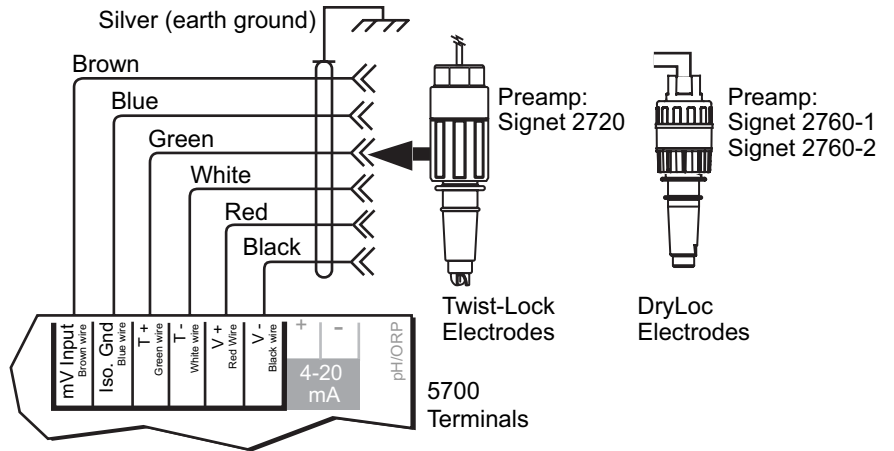


CAUTION!
Never connect 110 VAC or 220 VAC to rear power terminals. High voltage AC will damage instrument and void warranty.



= Double Insulated
 = DC or AC power

2. Compatible Electrode/Preamp Wiring



Technical Notes:

- To reduce the possibility of noise interference, isolate AC power lines from signal lines.
- Maximum 4-20 mA loop impedance (sec. 3) is affected by the supply voltage.
- Use six conductor shielded cable for cable extensions up to 120 m (400 ft) max. (#5523-0064)
- Cable shield must be maintained through cable splice.

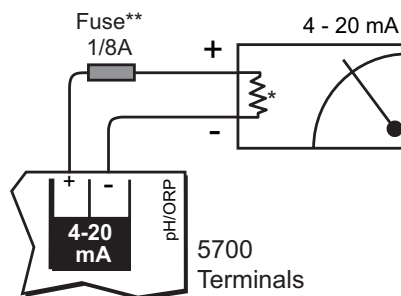
3. 4 - 20 mA Current Output Connections

Technical Notes:

- **1/8A fuse recommended (customer supplied)
- * 4-20 mA output is internally powered (non-isolated), maximum loop impedance 350 Ω with a 12 V instrument supply voltage, 950 Ω with a 24 V instrument supply voltage.

To isolate output and prevent ground loop problems:

1. Use monitor device with isolated inputs, or
2. Use separate DC supply for 5700 and monitor device, or
3. Power 5700 with 12 - 24 VAC step down transformer

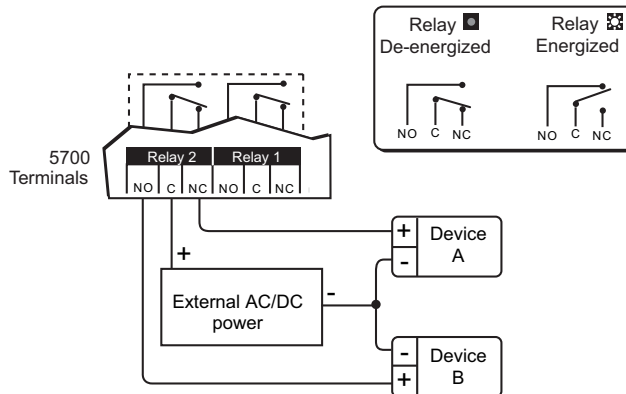


4. Relay Connections

Two internal relay contact sets (COM, NO, and NC) may be used for external device control. Front panel LED annunciators indicate the activation status of each relay. Each relay can control up to two devices simultaneously, as shown. Relay operation modes include Low alarm, High alarm, and Proportional Pulse (sec. 5).

Common device connections include:

- Pulse mode - metering pump control
- Pulse mode - solenoid valve control
- Low or High mode - warning lamps
- Low or High mode - bells or sirens
- Low or High mode - external heavy-duty relay



Wiring Example Right

Device A **IS** powered when relay 2 is de-energized (front panel LED "off"). Power is discontinued when the relay 2 setpoint is reached (front panel LED "on"). Device B **IS NOT** powered when the relay 2 is de-energized. Power is applied after the relay 2 setpoint is reached.

Technical Notes:

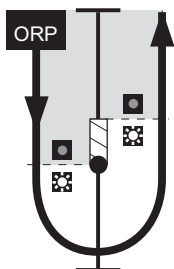
- Maximum relay contact ratings: 5 A @ 30 VDC, 5 A @ 125 VAC, or 3 A @ 250 VAC
- An external heavy-duty relay must be used for devices with surge currents or operating currents that exceed the above specifications.

5. Relay Operation

A. LOW alarm mode

The relay is energized when the ORP drops below the setpoint, and is de-energized when the ORP rises above the setpoint plus hysteresis (sec. 6.3D, 6.3E).

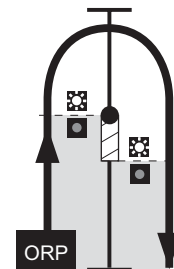
- Low setpoint= ●
- Adjustable hysteresis= ▨
- Relay energized= ☒
- Relay de-energized= ●



B. HIGH alarm mode

The relay is energized when the ORP rises above the setpoint and is de-energized when the ORP falls below the setpoint plus hysteresis (sec. 6.3D, 6.3E).

- High setpoint= ●
- Adjustable hysteresis= ▨
- Relay energized= ☒
- Relay de-energized= ●



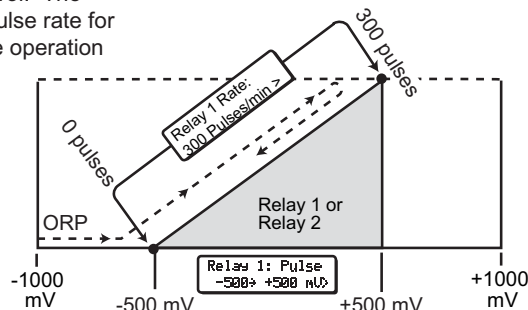
C. Proportional PULSE mode

The proportional pulse relay configuration is primarily designed for metering pump control. The operator is prompted to enter a minimum and maximum ORP setpoint and maximum pulse rate for the assigned relay (sec. 6.3F, 6.3G). Relay pulse width is fixed at 130 ms. Refer to the operation examples below.

- Metering pump chemical addition (dry contact activation type required)

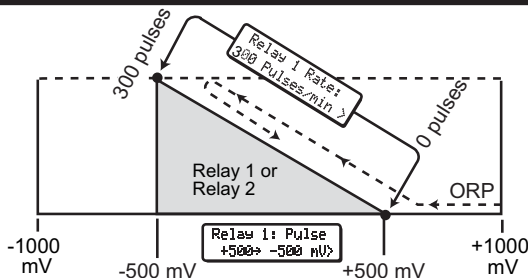
Example 1 (right):

As the process ORP rises above the minimum pulse setpoint (-500 mV) the relay begins pulsing; triggering the metering pump for chemical addition. As the ORP continues to rise, pulsing accelerates proportionally until the maximum programmed pulse rate of 300 pulses/minute and setpoint (+500 mV) are reached, forcing the process ORP back down to intended levels (e.g. ≤ -500 mV).



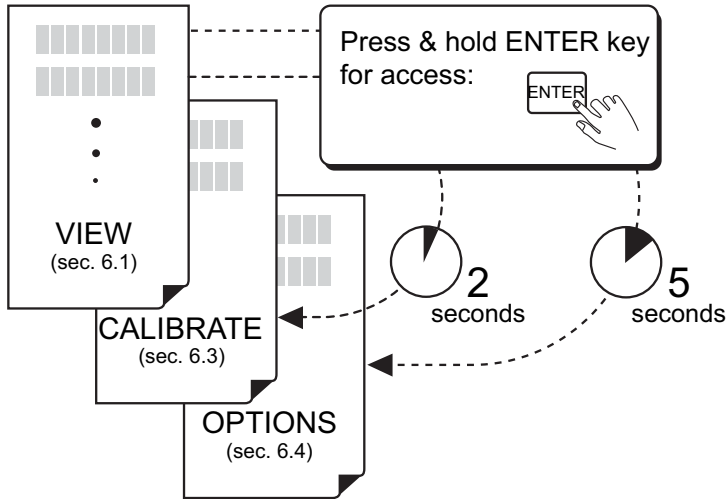
Example 2 (right):

As the process ORP falls below the minimum pulse setpoint (+500 mV) the relay begins pulsing; triggering the metering pump for chemical addition. As the ORP continues to decrease, pulsing accelerates proportionally until the maximum programmed pulse rate of 300 pulses/minute and setpoint (-500 mV) are reached, forcing the process ORP back up to intended levels (e.g. ≥ +500 mV).



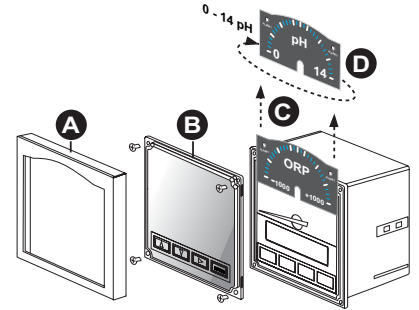
6. Menu Functions

To access either CALIBRATE or OPTIONS menus, press and hold the ENTER key as illustrated below:



Menus:

- **VIEW menu (sec. 6.1):** The VIEW menu is displayed during standard operation. The operator can navigate freely through the menu by pressing either UP or DOWN arrow keys.
- **CALIBRATE Menu (sec. 6.3):** The CALIBRATE menu contains all critical display setup and output parameters. A simple security code feature prevents unauthorized tampering. The operator is required to enter a simple access code for menu access. The same code also unlocks OPTIONS menus.
- **OPTIONS Menu (sec. 6.4):** The OPTIONS menu contains setup and display features that are seldom accessed for minor display or output adjustments.
- **Reversible Dial**
Your 5700 includes a reversible dial face for pH use. See enclosed pH manual for operation details.



6.1 VIEW Menu

1	2	3
Choose:	Change:	Save:
<p>ORP: +87 mV</p> <p>A. Input: +84 mV</p> <p>ORP mV/Raw mV</p> <p>LOOP Output:</p> <p>B. 12.69 mA</p> <p>Loop output</p> <p>Min→Max: mV</p> <p>C. -1000 ÷ +1000</p> <p>Range</p> <p>Relay 1: Low</p> <p>D. -500 mV</p> <p>Relay 1</p> <p>Relay 2: High</p> <p>E. +500 mV</p> <p>Relay 2</p> <p>Last CAL:</p> <p>F. 01-01-98</p> <p>Last calibration</p> <p>EASY CAL:</p> <p>G. ></p> <p>Buffer calibration</p>	<p>Press and release to access EASY CAL Procedure</p>	<p>Menu Displays A - G: (Factory default displays shown in menu column 1)</p> <p>A. Shows calibrated solution ORP mV and Raw (uncalibrated) input mV from ORP electrode/preamplifier</p> <p>B. Loop output display: shows the loop current output level.</p> <p>C. ORP range display: shows the programmed min and max meter range (sec. 6.3A)</p> <p>D. Relay 1 display: this display shows the programmed operation mode and setpoint for relay 1 (sec. 6.3D-E)</p> <p>E. Relay 2 display: this display shows the programmed operation mode and setpoint for relay 2 (sec. 6.3D-E)</p> <p>F. Last calibration: this display shows a user defined setup date for maintenance records. This feature is not an internal timer or calender.</p> <p>G. EASY CAL: press the right arrow key to access the EASY CAL buffer calibration procedure (sec. 6.2).</p>

See EASY CAL Procedure (Section 6.2)

6.2 EASY CAL Procedure

Requirements

- This procedure simplifies system calibration using standard pH 4.0 and 7.0 buffers saturated with Quinhydrone (customer supplied). If standard pH 4.0 and 7.0 buffers and Quinhydrone are not available, the system can be calibrated using the CALIBRATE menu standard and slope settings (sec. 6.3B, 6.3C).
- Quinhydrone (customer supplied) is the oxidizer measured by the ORP electrode and is essential for EASY CAL calibration. To guarantee saturation with pH 4.0 and 7.0 buffers, mix 1/8 g (1/4 mL) of Quinhydrone powder for each 50 mL of pH buffer solution (sec. 7).

EASY CAL: ---- Press keys in sequence to continue, Enter Key Code **** will appear during code entry.		
1 To Calibrate:	2 Response:	3 To Accept:
Place Sensor in ORP Buffer #1 Place electrode tip in first pH buffer saturated with Quinhydrone; pH 7.0 ≈ 87 mV pH 4.0 ≈ 264 mV	ORP : + 84 mV Input : + 82 mV Allow for stabilization 30 seconds*	ORP : + 84 mV Input : + 82 mV Press to accept first buffer calibration. ORP : + 87 mV Input : + 82 mV
Place Sensor in ORP Buffer #2 Place electrode tip in second (different) pH buffer saturated with Quinhydrone; pH 4.0 ≈ 264 mV pH 7.0 ≈ 87 mV	ORP : +262 mV Input : +260 mV Allow for stabilization 30 seconds*	ORP : +262 mV Input : +260 mV Press to accept second buffer calibration. ORP : + 264 mV Input : +260 mV Display returns to VIEW Menu in 3s
To exit EASY CAL at any time without saving changes:		
quick press		

Displayed Data

- ORP mV: Shows the calibrated solution oxidation reduction potential (ORP).
- Input mV: Shows the actual Raw (uncalibrated) preamplifier ORP electrode input

For best results, gently stir the submerged electrode for approximately 5 seconds during the stabilization period (step 2).

Technical Note:

The differences between input mV and ORP mV is a good indication of the electrode's condition. Differences in excess of 50 mV may indicate a need to service the electrode. Refer to electrode manual for maintenance recommendations.

Theoretical mV values

pH @ 25 °C	mV
2	+296
3	+237
4	+177
5	+118
6	+59
7	0
8	- 59
9	- 118
10	- 177
11	- 237
12	- 296

6.3 CALIBRATE Menu

Requirements

System calibration is possible with two known ORP solutions within -1000 mV - +2000 mV. The EASY CAL procedure (sec. 6.2) is recommended when standard pH buffers and Quinhydrone are available. If EASY CAL is performed, manual calibration steps B-C below are not required and should be skipped.

CALIBRATE: ---- Enter Key Code		Press keys in sequence to continue, **** will appear during code entry.		
1 Choose:	2 Change:	3 Save:		
<p>A. Min→Max: mV -1000 → +1000 ></p> <p>Range</p>	<p>Min→Max: mV -1000 → +1000</p> <p>Meter min→max</p>	<p>Min→Max: mV -0800 → +0800</p>		
<p>B. Set Standard: ></p> <p>Electrode standard</p>	<p>Input: +0084 mV ORP: +0085 mV</p> <p>Allow for stabilization</p>	<p>Input: +0084 mV ORP: +0087 mV</p>		
<p>C. Set Slope: ></p> <p>Electrode slope</p>	<p>Input: +0260 mV ORP: +0262 mV</p> <p>Allow for stabilization</p>	<p>Input: +0260 mV ORP: +0264 mV</p>		
Relay Low or High Mode Selected				
<p>D. Relay 1: Low -500 mV ></p> <p>Relay</p>	<p>Relay 1: [Low] -0500 mV</p> <p>Mode Setpoint</p>	<p>Relay 1: Low -0400 mV</p>	 "SAVING" briefly displays	
<p>E. Relay 1 Hys: 10 mV ></p> <p>Relay</p>	<p>Relay 1 Hys: 00010 mV</p> <p>Hysteresis</p>	<p>Relay 1 Hys: 00050 mV</p>		
Relay Pulse Mode Selected, step D				
<p>F. Relay 1: Pulse -500 → +500 mV ></p> <p>Relay</p>	<p>Relay 1: [Pulse] -0500 → +0500 mV</p> <p>Mode Range</p>	<p>Relay 1: Pulse -0150 → +0550 mV</p>		
<p>G. Relay 1 Rate: 120 Pulses/min ></p> <p>Relay</p>	<p>Relay 1 Rate: 120 Pulses/min</p> <p>Pulse rate</p>	<p>Relay 1 Rate: 025 Pulses/min</p>		
<p>H. Last CAL: 01-01-98 ></p> <p>Last calibration</p>	<p>Last CAL: 01-01-98</p> <p>Optional</p>	<p>Last CAL: 02-05-98</p>		
<p>To return to VIEW: quick press</p>	<p>To restore original value: quick press</p>			

Menu Settings A - H:

(Factory default displays shown in menu column 1)

- A. Sets Min → Max meter dial range, -1000 mV - +2000 mV (factory installed dial, -1000 mV - +1000 mV). Contact factory for custom dial configurations. **Does not effect 4 to 20 mA output**
- B. Sets electrode standard to any value from -1000 mV to +2000 mV (standard value must be ≥120 mV from slope value, step C)
- C. Sets electrode slope to any value from -1000 mV to +2000 mV (slope value must be ≥120 mV from standard value, step B)

Menu items D-G repeat for relay 2 setup.

- D. Sets relay operation mode Low or High, and ORP (mV) setpoint, -1000 mV - +2000 mV (sec. 5A-B)
- E. Sets relay hysteresis, 00000 - 02000 mV. Set to zero to disable feature (sec. 5A-B)
- F. Sets relay minimum and maximum pulse setpoint, -1000 mV - +2000 mV (sec. 5C)
- G. Sets relay pulse rate, 000 - 300 pulses/minute.
- H. Sets user defined setup date for maintenance records. This feature is not an internal timer or calender

Quick Reference Calibration Procedures:

2-Point Quick Calibration (recommended):

1. Set solution standard (step B)
2. Set solution slope (step C)

1-Point Calibration (optional):

1. Set solution standard (step B)

8. Specifications

General

Compatible sensors: Signet 3-2720 pH/ORP Pre-amplifier/
Sensor System
Accuracy: $\pm 0.2\%$ of full scale

Input range:

- ORP: -1000 to +2000 mV, optically isolated
(standard -1000 to +1000 mV dial included)

Enclosure:

- Rating: NEMA 4X/IP65 front
- Dimensions: 1/4 DIN, 96 x 96 x 88 mm (3.8 x 3.8 x 3.5 in.)
- Case: ABS plastic
- Keypad: Sealed 4-key silicone rubber
- Weight: Approximately 500 g (18 oz.)

Display:

- Type: Microprocessor controlled air-core meter movement and backlit Alpha-numeric 2 x 16 LCD
- Update rate: <1s
- Contrast: User selected
- Relay annunciators: 2 LEDs

Environmental

Operating temp.: -10 to 55 °C (14 to 131 °F), 50 °C (122 °F) with optional rear cover
Storage temp.: -15 to 80 °C (5 to 176 °F)
Relative humidity: 0 to 95%, non-condensing
Altitude: 4000 m max.
Pollution degree: 2

Electrical

Power requirements:

- 12 to 24 VDC or 12 to 24 VAC, unregulated, 50-60 Hz, 10 W max.

Relay contacts (2 sets):

- Mechanical SPDT contacts
- Max. voltage rating: 5 A @ 30 VDC, 5 A @ 125 VAC, or 3 A @ 250 VAC, (power factor = 1.0)
- Hysteresis: User adjustable

Current output:

- 4 to 20 mA, non-isolated, internally powered, fully adjustable and reversible
- Update rate: <1s
- Max loop impedance: 350 Ω with a 12 V instrument supply voltage, 950 Ω with a 24 V instrument supply voltage
- Accuracy: $\pm 0.1\%$ of max. range

Noise immunity: EN50082-2

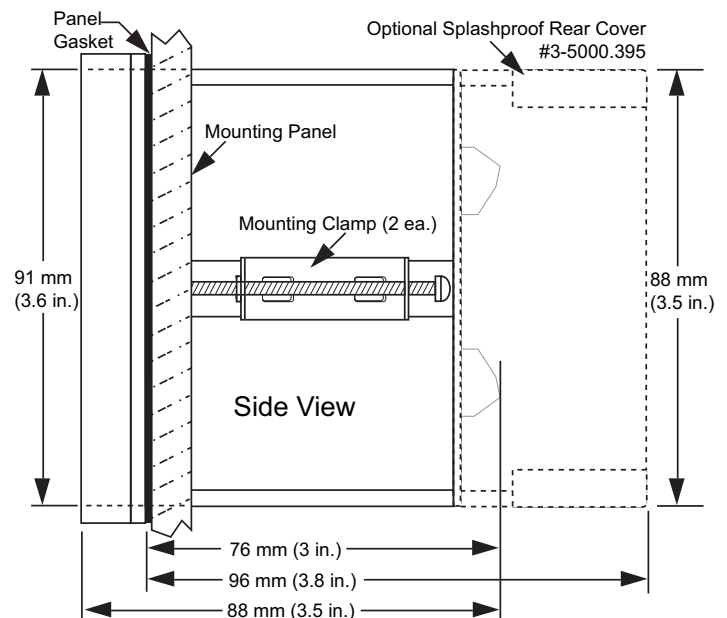
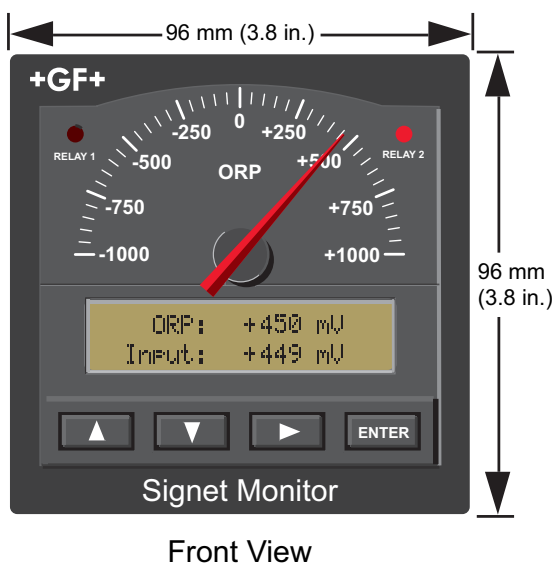
Noise emissions: EN55011

Safety: EN61010-1

Agency Approvals

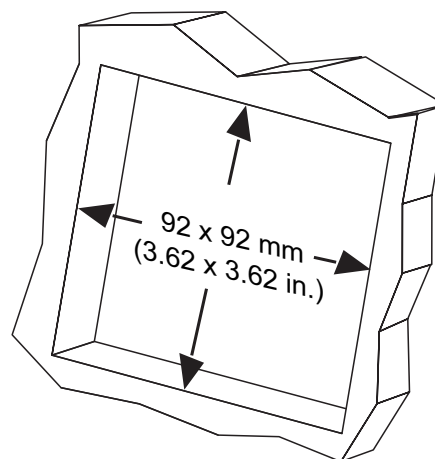
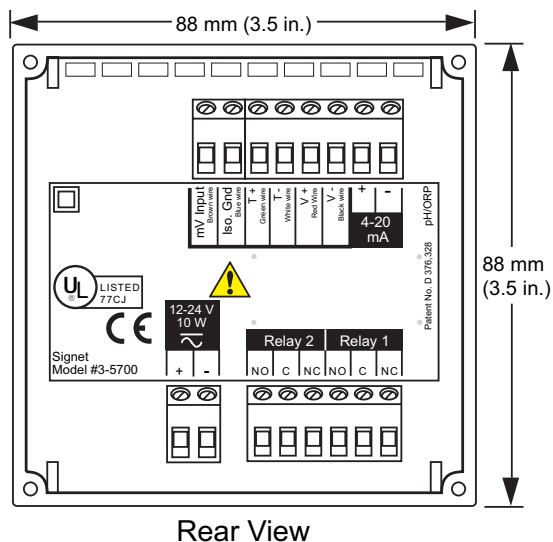
- CE, UL listed
- Manufactured under ISO 9001

Dimensions



(continued)

Dimensions



9. Quick Reference Menu Parameters

9.1 VIEW Menu Setup Parameters (sec. 6.1)

Menu Parameters	Display Description	Range	Factory Default
A. ORP: +87 mV Input: +84 mV	<ul style="list-style-type: none"> • ORP mV • Raw sensor mV 	<ul style="list-style-type: none"> • -1000 mV - +2000 mV • -1000 mV - +2000 mV 	<ul style="list-style-type: none"> n/a n/a
B. Loop Output: 12.69 mA	Current loop output	3 - 21 mA	n/a
C. Min→Max: mV -1000 → +1000	Min → Max meter and dial range	-1000 mV - +2000 mV	-1000 mV - +1000 mV
D. Relay 1: Low -500 mV	<ul style="list-style-type: none"> • Relay 1 mode • Relay 1 setpoint 	Low, High, or Pulse, -1000 - +2000 mV	Low -500 mV
E. Relay 2: High +500 mV	<ul style="list-style-type: none"> • Relay 2 mode • Relay 2 setpoint 	Low, High, or Pulse, -1000 - +2000 mV	High +500 mV
F. Last CAL: 01-01-98	Last calibration date	00 - 00 - 00 - 39 - 39 - 99	01 - 01 - 98
G. EASY CAL: >	EASY CAL procedure	Two pH buffers saturated with Quinhydrone required: pH 4= +87 mV, pH 7= +264 mV, (sec. 6.2)	n/a

9.2 CALIBRATE Menu Setup Parameters (sec. 6.3)

Menu Parameters	Display Description	Range	Factory Default
A. Min→Max: mV -1000 → +1000 >	Min → max meter/dial range	-1000 - +2000 mV	-1000 - +1000 mV
B. Set Standard: >	Manual electrode standard calibration	-1000 - +2000 mV	n/a
C. Set Slope:	Manual electrode slope calibration	-1000 - +2000 mV	n/a
D. Relay 1: Low -500 mV >	• Relay 1 mode • Relay 1 setpoint	Low or High -1000 - +2000 mV	Low -500 mV
E. Relay 1 Hys: 10 mV >	Relay 1 hysteresis	00000 - 02000 mV	10 mV
F. Relay 1: Pulse -500 → +500 mV >	• Relay 1 mode • Relay 1 range	Pulse -1000 - +2000 mV	-500 - +500 mV
G. Relay 1 Rate: 120 Pulses/min >	Relay 1 pulse rate	000 - 300 pulses/minute	120 pulses/minute
H. Last CAL: 01-01-98 >	Last calibration date	00 - 00 - 00 - 39 - 39 - 99	01 - 01 - 98

Relay mode and
setpoint displays
repeat for relay 2
setup

9.3 OPTIONS Menu Setup Parameters (sec. 6.4)

Menu Parameters	Display Description	Range	Factory Default
A. Contrast: 3 >	Display contrast	0 to 5	3
B. Set 4 mA: -1000 mV >	4 mA setpoint	-1000 - +2000 mV	-1000 mV
C. Set 20 mA: +1000 mV >	20 mA setpoint	-1000 - +2000 mV	+1000 mV
D. 4 mA Adjust: 4.00 mA >	4 mA adjust	3.0 to 5.0 mA	4.00 mA
E. 20 mA Adjust: 20.00 mA >	20 mA adjust	19 to 21 mA	20.00 mA

10. Troubleshooting

Display	Problem	Solution
1. 7.04 pH +25.0°C (Example↑)	pH electrode installed in preamplifier	Remove pH electrode and replace with recommended ORP electrode (sec. 2).
2. CHECK SENSOR ?	Electrode not installed in preamplifier mV input from preamplifier out of range (≤ -1000 mV) Missing or wrong electrode identification resistance applied to rear T+ and T- terminals.	1) Verify preamplifier/electrode input connections and electrode installation (sec. 2). 2) Disconnect Green and White preamplifier wires from rear T+ and T- terminals. Measure ORP electrode identification resistance across disconnected wires for 9.0 kΩ - 10.8 kΩ. If measured resistance is out of range: <ul style="list-style-type: none"> • Wrong electrode installed in preamplifier (pH electrode = 3 kΩ @ 25°C (77 °F)) • Faulty preamplifier contacts, see preamplifier manual for additional information • Faulty electrode, see electrode manual for additional information 3) To verify instrument: <ul style="list-style-type: none"> • Disconnect Green and White preamplifier wires from rear T+ and T- terminals, then install a 10 kΩ fixed resistor across the terminals. • Disconnect Brown and Blue preamplifier wires from rear mV Input and Iso. Gnd terminals. Install shorting strap (jumper) across mV Input and Iso. Gnd terminals. • Power instrument and verify 0 mV on the “Input mV” display (sec. 6.3B). If 0 mV ±5 mV are not displayed, the instrument requires factory calibration. If “Input mV” are within ±5 mV, calibrate instrument “Set Standard” for 0 mV (sec. 6.3B). • If instrument displays correctly after calibration, instrument is ok; preamplifier and/or electrode problem exists. Refer to preamplifier and electrode manual for troubleshooting information.
3. Out Of Range Use Manual Cal	pH buffers other than pH 4 and 7 saturated with Quinhydrone used during EASY CAL procedure; pH 4= +87 mV, pH 7= +264 mV	Use pH 4 and 7 buffers (ONLY) saturated with Quinhydrone for EASY CAL procedure (sec. 6.2). The EASY CAL procedure simplifies manual Standard and Slope calibration in the CALIBRATE Menu (sec. 6). The instrument can be calibrated using two buffers of known ORP by this method (sec. 6.3B, 6.3C). If manual calibration is performed, the EASY CAL procedure is not required.
4. ! Same Buffer	Same pH buffer used for EASY CAL solution #1 and solution #2	Use different buffer saturated with Quinhydrone for EASY CAL procedure solution #1 and solution #2 (sec. 7). Do not calibrate both points with the same buffer!
5. ORP: +2000 mV Input: +2000 mV (display stuck at +2000 mV)	Excessive mV input from preamplifier	Faulty preamplifier, refer to preamplifier manual for additional information To verify instrument input: <ul style="list-style-type: none"> • Disconnect Brown and Blue preamplifier wires and install shorting strap (jumper) across rear mV input and Iso Gnd terminals. • Power instrument and verify 0 mV on display. If 0 mV is not displayed, calibrate Standard input for 0 mV (sec. 6.3B) • If instrument displays correctly after calibration, instrument is ok. If error condition persists, instrument requires factory service.

(continued)

Display	Problem	Solution
6. ! ORP must be 2000 or less	ORP (mV) input greater than +2000 mV, or improperly entered during Standard or Slope calibration	A) Use solution of known ORP within -1000 - +2000 mV range B) Enter mV value within -1000 mV - +2000 mV during standard or slope calibration (sec. 6.3B, 6.3C)
7. Slope Too Close To Standard	ORP slope calibration too close to ORP standard calibration	(CALIBRATE Menu sec. 6.3 only) Calibrate ORP slope using an ORP solution ≥ 120 mV from the ORP standard solution (sec. 6.3C).
8. Value Must Be -1000 Or More	Relay, 4 mA, or 20 mA ORP (mV) setpoint entered out of range	Enter ORP setpoint within -1000 - +2000 mV range (sec. 6.3, 6.4)
9. Value Must Be 2000 Or Less	Relay, 4 mA, or 20 mA ORP (mV) setpoint entered out of range	Enter ORP setpoint within -1000 - +2000 mV range (sec. 6.3, 6.4)
10. Value Must Be 300 Or Less	Relay pulse setting greater than 300 pulses per minute	Enter relay pulse setting within 0 - 300 pulses per minute (sec. 6.3F)
11. SETUP READ ERROR Press any Key	Power fault occurred while saving setup menu entry	Press any key to reload factory defaults then reprogram system setup parameters.

11. Maintenance

Clean the instrument case and front panel with a soft cloth and a mild soap solution.

Notes:

+GF+

George Fischer Signet, Inc. 3401 Aerojet Avenue, El Monte, CA 91731-2882 U.S.A. • Tel. (626) 571-2770 • Fax (626) 573-2057
For Worldwide Sales and Service, visit our website: www.gfsignet.com • Or call (in the U.S.): (800) 854-4090

