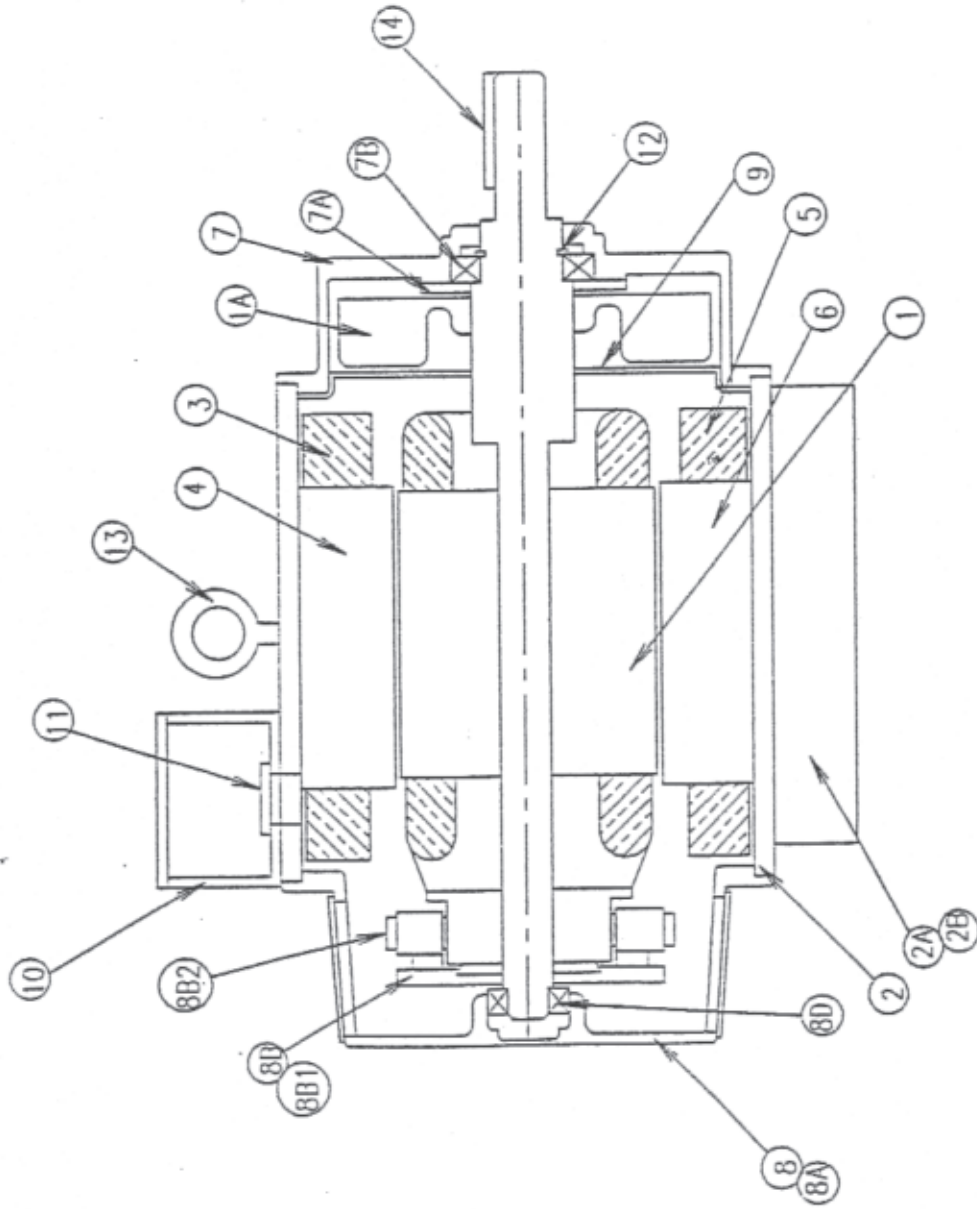


SPARE PARTS LIST



ITEM	QTY	PART NO.	DESCRIPTION
1	1	655022	CAPL ASSEMBLY
1A	1	B-230508-01	FAN - DRILLED
2	1	C-460106	STATOR RING & BASE ASSEMBLY
2A	2	A-690109	BASE SECTION
2B	2	A-100239-03	BASE SUPPORT
3	2	B-441203-01	COMM COILS
4	2	B-452004-01	COMM POLES
5	4	B-441002-01	MAIN COILS
6	4	B-451002-01	MAIN POLES
7	1	C-210531	PULLEY COVER - DRILLED
7A	1	B-230509	BEARING CAP - DRILLED
7B	1	A-900205-33	BEARING - PULLEY END
7C	2	A-100243-05	PULLEY COVER SCREEN
8	1	910C141A1	CAPL COMM COVER ASSEMBLY
8A	1	C-220516	COMM COVER - DRILLED
8B	1	910C138A2	CAPL BRUSH RING ASSEMBLY
8C	1	910C138A2	BRUSH RING ASSEMBLY
8D	8	900B57A02	BRUSHES
9	6	910A137A8	BRUSH SPRINGS
10	1	A-100265-01	COMM COVER SCREEN
11	1	A-900205-32	BEARING - COMM END
12	2	910A121A4	BRUSH INSPECTOR COVER CASKET
13	2	A-100262	BRUSH INSPECTOR COVER
14	1	A-100260	FAN BAFFLE
	1	B-100259	TERMINAL BOX
	1	A-900200-03	CHASE NIPPLE
	1	A-900220-05	BEARING RETAINING RING
	1	A-900180-02	EYEBOLT
	1	A-100022-09	KEY

OPT-33-18-WI309