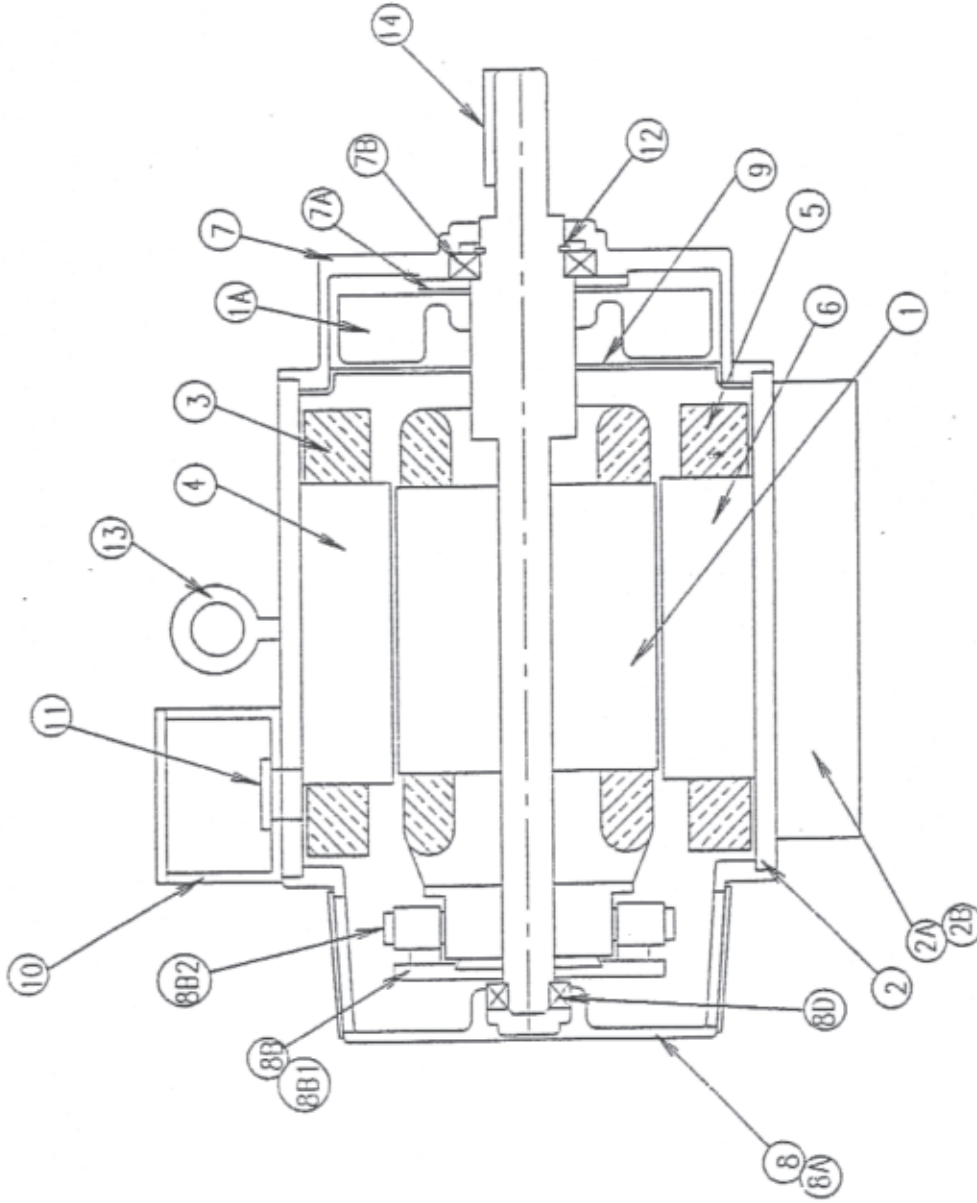


SPARE PARTS LIST



ITEM	QTY	PART NO.	DESCRIPTION
1	1	B55015	CPL ARMATURE ASSEMBLY
1A	1	B-230504-01	FAN - DRILLED
2	1	C-460100-02A	STATOR RING & BASE ASSEMBLY
2A	2	A-690100A	BASE SECTION
2B	2	A-100239-02	BASE SUPPORT
3	2	B-41200-03A	COMM COILS
4	2	B-452000-03	COMM POLES
5	4	B-441000-03B	MATH COILS
6	4	B-451000-03	MATH POLES
7	1	C-210520	PULLEY COVER - DRILLED
7A	1	B-230506-02	BEARING CAP - DRILLED
7B	1	A-900205-2B	BEARING - PULLEY END
7C	2	A-100243-01	PULLEY COVER SCREEN
8	1	910C140A1	CPL COMM COVER ASSEMBLY
8A	1	C-220512	COMM COVER - DRILLED
8B	1	910B137A1	CPL BRUSH RING ASSEMBLY
8B1	1	910B137A2	BRUSH RING ASSEMBLY
8B2	4	900B57A02	BRUSHES
8B3	4	910A137A8	BRUSH SPRINGS
8C	1	A-100242-01	COMM COVER SCREEN
9	1	A-900205-2B	BEARING - COMM END
10	2	910A121A3	BRUSH INSPECTION COVER GASKET
11	2	A-100228	BRUSH INSPECTION COVER
12	2	311C025A1	FAN BAFFLE
13	1	B-100256	TERMINAL BOX
14	1	A-900200-03	CHASE HIPPLE
15	1	A-900220-02	BEARING RETAINING RING
16	1	A-900180-01	EYE BOLT
17	1	A-100022-0B	KEY

OPT-20-18-WI307