

Cable Management

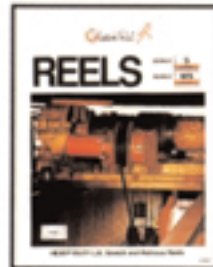
Since 1911, Gleason Reel Corp. has been in the business of CABLE MANAGEMENT. Our products are designed to convey and protect valuable cables and hoses that power and control moving machines of all types. They improve productivity and safety on the job by moving cables and hoses away from hazardous locations on machinery or the shop floor into a controlled environment. Whether you choose Reels for efficient storage and payout from virtually any angle, Festoon Systems for overhead applications or PowerTrak® for protection on machinery in motion, your cables and/or hoses will last longer and provide better service with a cable management system from Gleason Reel Corp...

...The Cable & Hose Management Company!

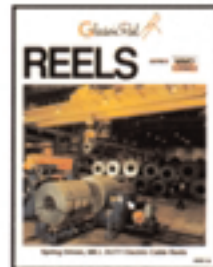


HOSE REELS

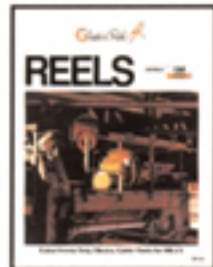
Machine Mountable—Spring Driven



Bulletin "CR"
Heavy Duty
Spring Driven
Electric Cable Reels
General Industrial



Bulletin "MMD"
Mill Duty
Spring Driven
Electric Cable Reels
Demanding Service



Bulletin "SM"
Heavy Mill Duty
Spring Driven
Electric Cable Reels
Steel Mill Service



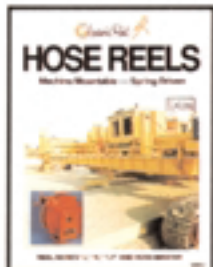
Bulletin "RET"
Long Travel Length
Motor Driven
Electric Cable Reels
Standard Industrial



Bulletin "PSR"
Lifting & Lowering
Motor Driven
Electric Cable Reels
Push-Button Reels



Bulletin "VMR"
Large Retrieving
Motor Driven
Electric Cable Reels
Heavy Duty Industrial



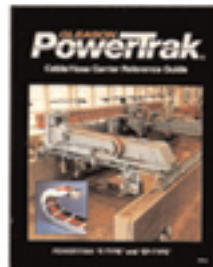
Bulletin "HMR"
Various Types
Spring Driven
Hose Reels
General Industrial



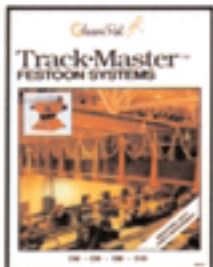
Bulletin "SR"
Slip Rings
Unitized Design
Low & High Amperage
Low & Medium Voltage



Bulletin "PTG"
Non-Metallic
Cable Chain
For Hose & Cable
Lightweight, Economical



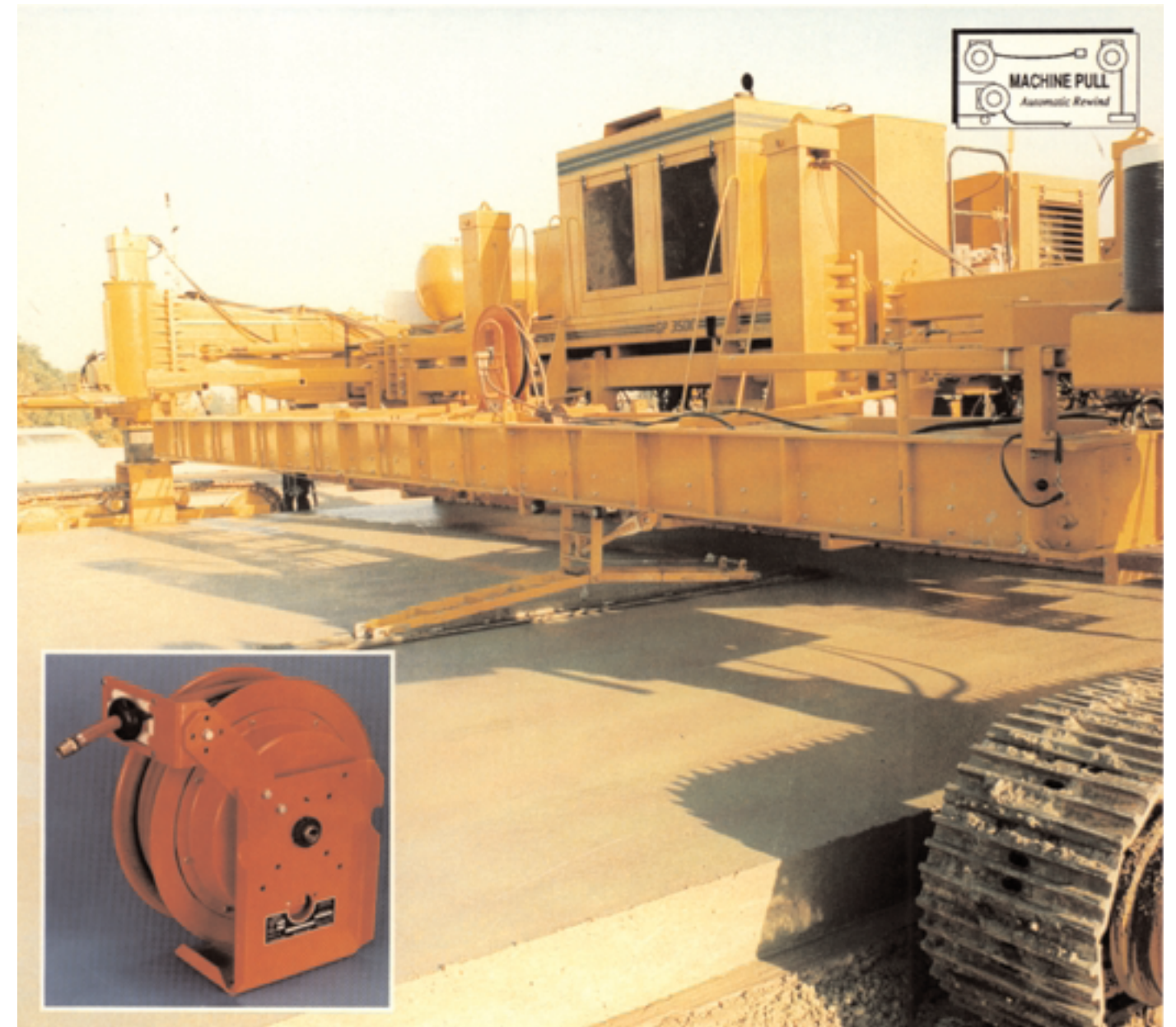
Bulletin "PT"
Rugged Steel
Cable Chain
For Hose & Cable
Standard & Mill Duty



Bulletin "FC"
Rugged Steel
C-Rail Mounted
Festoon Systems
General Industrial



Bulletin "FB"
Heavy Duty
I-Rail Mounted
Festoon Systems
Heavy Duty Port Types



Spec Tech Industrial 203 Vest Ave. Valley Park, MO 63088 Phone: 888 SPECTECH
E-mail: sales@spectechind.com www.spectechind.com

REEL SERIES "U", "K", and HOSE-MASTER™

Spec Tech Industrial 203 Vest Ave. Valley Park, MO 63088 Phone: 888 SPECTECH
E-mail: sales@spectechind.com www.spectechind.com

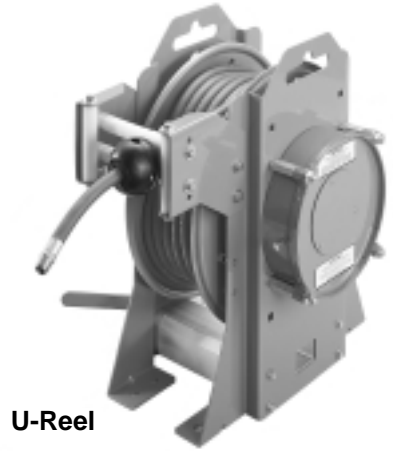
Contents

Single Hose General Purpose

U-Reel.....Page 4

The Gleason **U-Reel** provides ultimate flexibility... larger diameter and/or wider spools, single or dual spring motors, chain drive where needed. In addition, the modular U-Reel design allows us to provide a custom reel for your application at the cost of an off-the-shelf unit. Sizing tables in this catalog enable you to choose your reel from a selection of commonly used sizes. Or, send us your requirements and let the sophisticated Gleason computerized program determine the spool size, spring configuration and drive that will give you the most rugged, smoothest operating and longest lasting reel money can buy.

The rugged U-Reel, featuring a heavy frame with spool supported on dual over-sized bearings, can easily handle air, water or hydraulic hoses up to 1.5" I.D. U-Reel is rated at 300 psi per standard hose and hose fittings but high pressure applications to 10,000 p.s.i. are possible with proper hardware. Options include an adjustable roller hose guide, spool lock, ratchet lock, 340° pivot base, dual hose and stainless steel fluid path.



U-Reel

Hose-Master.....Page 6

The Gleason **Hose-Master™** is the most rugged single hose, general purpose hose reel of its size in the industry. We created it with the most demanding reeling applications in mind, hand pull or machine mounted.

Oversized bearings and a heavy duty, one piece main shaft (also available in stainless steel) give the Hose-Master superior mechanical strength. Roller Guide is standard. Optional 340° Pivot Base provides application flexibility. The reliable ratchet and dog allows quick and easy changeover from window shade-type action to continuous tension. Handles up to 70 ft. of 3/8" I.D. hose. Maximum hose diameter is 1/2" I.D. Reel is rated at 300 psi per standard hose and hose fittings. The reel itself is capable of higher pressures with proper hardware.



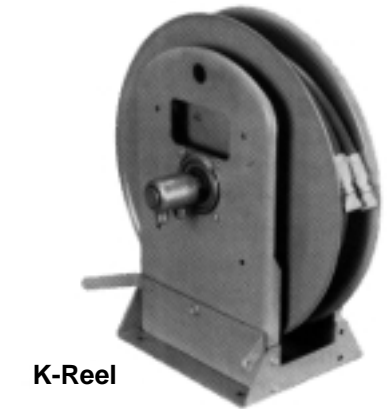
Hose-Master™

Dual Hose Hydraulic

K-Reel.....Page 7

Gleason K-Reels are ideal for hydraulic hose control on boom cranes, hoists, tree cutters, lifts or any moving hydraulic equipment. They can also be used for other liquids or air. Whether machines push-pull, extend-retract, turn, tip, clamp hold or dump, Gleason series K all-steel spring driven dual hose reels speed operation and improve handling and safety.

K-Reels handle up to 80 ft. of 1/4" I.D. dual hose with 3000 psi full-flow pressure throughout the reel. Maximum 3/4" I.D. hose.



K-Reel

Dimensional Guides.....Pages 9–11

On the cover: Gleason K-Reel used on a slipform paver. Reel has dual hoses for fluid control of moving hydraulic attachment.

Inset: Gleason Hose-Master Reel

WARRANTY

Gleason warrants for a period of twelve (12) months after date of shipment, all goods manufactured by it to be free from defects in material and workmanship. If, within such warranty period, any such goods are proved, to Gleason's satisfaction, to be defective, such goods shall be repaired or, at Gleason's options, replaced f.o.b. Gleason's factory, without charge. Gleason's obligation hereunder shall be confined to such repair or replacement and shall be further conditioned upon Gleason's receiving written notice of any alleged defect within 10 days after its discovery and, at Gleason's option, the return of the allegedly defective goods to Gleason, f.o.b. its factory.

The foregoing warranty shall not apply to goods not manufactured by Gleason, or to goods which shall have been repaired or altered by others than Gleason so as, in Gleason's judgement, adversely affect the same, or which shall have been subject to other than normal care, or storage. With respect to goods furnished but not manufactured by Gleason, the warranty obligations of Gleason shall in all respects conform and be limited to the warranty extended to Gleason by the supplier.

The foregoing warranty is in lieu of all other express or implied warranties (except of title) and of all other obligations of Gleason.

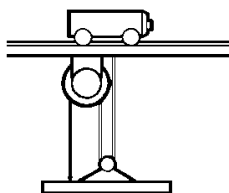
Selecting Hose Reels

Hose Specifics

Whether you order the reel with hose installed or plan to put on your own, this is the place you need to start when selecting a Gleason Hose Reel. Will you be using one or two hoses? What is the I.D. and O.D.? What product is passing through the hose? What is the operating temperature of the product? What operating PSI do you require? Please indicate if Gleason is to supply the hose. Hose installation is included in the price of hose purchased with the reel.

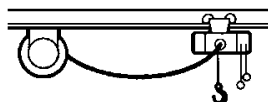
Application

How you use your Gleason Hose Reel matters a great deal and will affect your model choice. Proper reel application is much more than finding a spool that will hold the amount of hose you have. In addition to the type of application, illustrated below, the proper reel strikes a delicate balance between the length and size of hose, the diameter of the spool core, the width of the spool, and the spring rate. Find your type of application on the illustrations below and use that information on the model charts on the following pages.



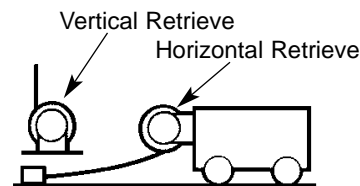
VERTICAL LIFT

Any application where the hose is hoisted vertically with only the weight of the hose involved. Special consideration must be given to any weight added to the end of the hose, such as pneumatic tools, and to the weight of fluid in the hose.



HORIZONTAL STRETCH

Stretching hose horizontally requires the greatest amount of tension of any application to maintain a minimum sag. In this catalog, Hose-Master and "U" reel capacities are based on 10% sag while "K" reels are based on a sag of 6%.



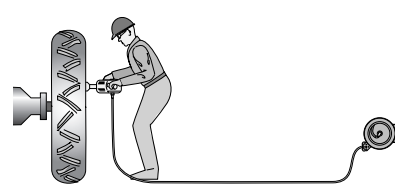
RETRIEVE

A vertical retrieve application is much the same as a vertical lift except that the reel is located below rather than above. A horizontal retrieve application is identified when the reel is mounted on the moving equipment and pays-out cable into a tray or other support. **NOTE:** If the reel is stationary and the machine pulls the hose off the reel, it is considered a HORIZONTAL STRETCH application, even if the hose is supported.



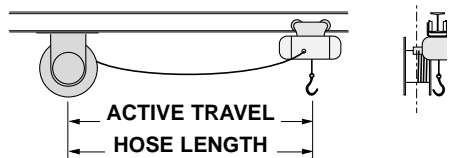
MACHINE PULL or HAND PULL

Another important application consideration is whether the reel will receive the typically constant and predictable pull of a machine or the somewhat erratic pull of a human. All reels in this catalog are intended for mounting on machinery. Hose-Master Reels and the smaller U-Reels, however, can be equipped with springs and optional accessories designed to make the reels more suitable for hand pull. Generally, LIFT reels equipped with a ratchet lock are used.



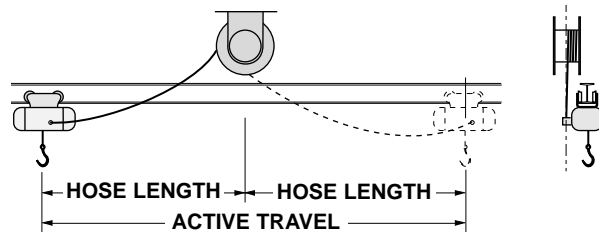
Hose Length

To determine hose length, you must determine your ACTIVE TRAVEL length and whether the reel will be mounted for END FEED (one-way payout) or CENTER FEED (two-way payout). For end feed, hose length is equal to active travel plus amount needed for hook-up. For center feed (right), hose length is equal to **one half** the active travel length plus hook-up. Note that for a center feed Hose-Master, the standard Roller Guide must be removed. Other models come standard *without* a Roller Guide.



END FEED (One-way Payout)

$$\text{Hose Length} = \text{Active Travel Length}$$



CENTER FEED (Two-way Payout)

$$\text{Hose Length} = \frac{\text{Active Travel Length}}{2}$$

U-Reel

Single Hose, General Purpose Reels
with Increased Flexibility and Value

Unique Modular
Design... You always get
a reel that exactly fits
your needs.



Air Hose Reels

Lift Capacities based on speed of 150 ft/min. and acceleration of 0.50 ft/sec².

NOTE: Consult factory for capacities greater than 120 feet.

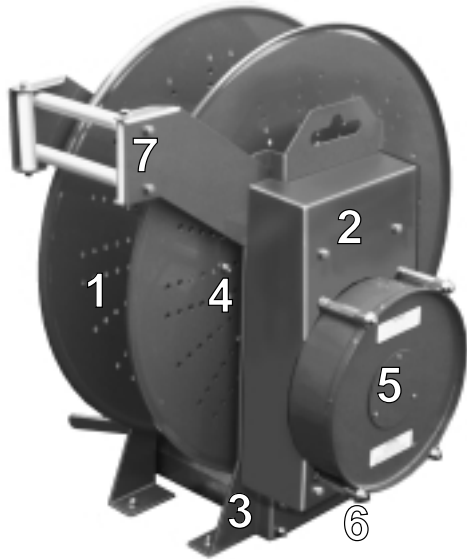
FEET OF HOSE	HOSE I.D.					
	3/8"	1/2"	3/4"	1"	1-1/4"	1-1/2"
20	UH18351-06-1406-2	UH18351-08-1206-4	UH18751-12-1008-1	UH21751-16-1208-1	UH241001-20-1410-1	UH28752-24-1610-3
30	UH18351-06-1406-2	UH18351-08-1206-4	UH18751-12-1008-1	UH21751-16-1208-1	UH241001-20-1410-1	UH28752-24-1610-3
40	UH18351-06-1406-2	UH18351-08-1006-2	UH21751-12-1008-1	UH24751-16-1208-1	UH241001-20-1410-1	UH28752-24-1610-3
50	UH18351-06-1406-2	UH18621-08-1006-1	UH21801-12-1008-1	UH24751-16-1208-1	UH281001-20-1410-4	UH321002-24-1610-1
60	UH18621-06-1406-1	UH21801-08-1406-1	UH21801-12-1008-1	UH241001-16-1208-1	UH281002-20-1410-1	UH321002-24-1610-1
70	UH18621-06-1206-1	UH21801-08-1406-1	UH24801-12-1008-1	UH28802-16-1208-2	UH281002-20-1410-1	UH321002-24-1610-1
80	UH18621-06-1206-1	UH21801-08-1206-1	UH24801-12-1008-1	UH28802-16-1208-2	consult factory	UH321002-24-1610-1
90	UH18621-06-1006-1	UH24801-08-1406-1	UH28802-12-1008-A-5	UH28802-16-1208-2	consult factory	consult factory
100	UH24801-06-1806-1	UH24801-08-1406-1	UH28802-12-1008-A-5	UH321002-16-1208-A-1	consult factory	consult factory

Stretch Capacities based on 10% sag, speed of 150 ft/min. and acceleration of 0.75 ft/sec².

FEET OF HOSE	HOSE I.D.					
	3/8"	1/2"	3/4"	1"	1-1/4"	1-1/2"
20	UH18351-06-1406-2	UH18351-08-1206-3	UH18751-12-1008-1	UH21751-16-1208-1	UH24751-20-1410-4	UH281001-24-1610-1
30	UH18351-06-1406-2	UH18351-08-1206-3	UH18751-12-1008-1	UH21751-16-1208-1	UH24751-20-1410-4	UH281001-24-1610-1
40	UH18351-06-1406-2	UH18351-08-1006-2	UH21751-12-1008-1	UH24751-16-1208-1	UH24751-20-1410-4	UH281001-24-1610-1
50	UH18351-06-1406-2	UH18621-08-1006-1	UH21801-12-1008-1	UH24751-16-1208-1	UH281001-20-1410-1	UH321001-24-1610-5
60	UH18621-06-1406-1	UH21801-08-1406-1	UH21801-12-1008-1	UH241001-16-1208-1	UH281001-20-1410-1	UH32752-24-1610-2
70	UH18621-06-1206-1	UH21801-08-1406-1	UH24801-12-1008-1	UH28802-16-1208-1	UH281001-20-1410-1	UH321002-24-1610-1
80	UH18621-06-1206-1	UH21801-08-1206-1	UH24801-12-1008-1	UH28802-16-1208-1	UH321002-20-1410-A-3	UH321002-24-1610-1
90	UH18621-06-1006-1	UH24801-08-1406-1	UH28802-12-1008-A-2	UH28802-16-1208-1	UH321002-20-1410-A-3	consult factory
100	UH24801-06-1806-1	UH24801-08-1406-1	UH28802-12-1008-A-2	UH32802-16-1208-1	consult factory	consult factory

Retrieve Capacities based on 3 ft. mounting height, speed of 150 ft/min. and acceleration of 1.0 ft/sec².

FEET OF HOSE	HOSE I.D.					
	3/8"	1/2"	3/4"	1"	1-1/4"	1-1/2"
20	UH18351-06-1406-3	UH18351-08-1206-4	UH18351-12-1008-5	UH21751-16-1208-1	UH24751-20-1410-2	UH28751-24-1610-2
30	UH18351-06-1406-3	UH18351-08-1206-4	UH18351-12-1008-5	UH21751-16-1208-1	UH24751-20-1410-2	UH28751-24-1610-2
40	UH18351-06-1406-3	UH18621-08-1006-2	UH21751-12-1008-1	UH24751-16-1208-1	UH24751-20-1410-2	UH28751-24-1610-2
50	UH18351-06-1406-3	UH18621-08-1006-2	UH21621-12-1008-3	UH24751-16-1208-1	UH28751-20-1410-2	UH32751-24-1610-3
60	UH18621-06-1406-2	UH21621-08-1406-2	UH21621-12-1008-3	UH24801-16-1208-2	UH28801-20-1410-4	UH321001-24-1610-2
70	UH18621-06-1206-2	UH21621-08-1406-2	UH24621-12-1008-5	UH28801-16-1208-3	UH28801-20-1410-4	UH321001-24-1610-2
80	UH18621-06-1206-2	UH21621-08-1206-2	UH24621-12-1008-5	UH28801-16-1208-3	UH32802-20-1410-2	UH32802-24-1610-3
90	UH21621-06-1406-2	UH21621-08-1206-2	UH28622-12-1008-2	UH28801-16-1208-3	UH32802-20-1410-2	consult factory
100	UH21621-06-1206-2	UH21621-08-1006-2	UH28622-12-1008-2	UH32622-16-1208-4	UH32802-20-1410-2	consult factory



Standard Features

- 300 PSI standard rating (ratings to 10,000 PSI available)
- 1. Wide or Narrow spool
- 2. Direct or Chain Drive.
- 3. Rugged U-shaped frame
- 4. Dual supported spool on over-sized bearings. Not cantilevered.
- 5. Safetychange® Spring Motor makes replacement safe and easy.
- 6. Optional 340° Pivot Base (not shown).
- 7. Optional Roller Guide accommodates a variety of mounting configurations.
- Ratchet Lock

Liquid Hose Reels

Lift Capacities based on speed of 150 ft/min. and acceleration of 0.50 ft/sec².

NOTE: Consult factory for capacities greater than 120 feet.

FEET OF HOSE	HOSE I.D.					
	3/8"	1/2"	3/4"	1"	1-1/4"	1-1/2"
20	UH18351-06-1406-5	UH18351-08-1006-5	UH18751-12-1008-1	UH21751-16-1208-5	UH24752-20-1410-5	UH281002-24-1610-7
30	UH18351-06-1406-5	UH18351-08-1006-5	UH18751-12-1008-1	UH21751-16-1208-5	UH24752-20-1410-5	UH281002-24-1610-7
40	UH18351-06-1406-5	UH18801-08-1006-1	UH21751-12-1008-1	UH241001-16-1208-2	UH241002-20-1410-1	UH281002-24-1610-7
50	UH18621-06-1006-1	UH18801-08-1006-1	UH21802-12-1008-1	UH241001-16-1208-2	UH281002-20-1410-2	consult factory
60	UH18621-06-1006-1	UH21801-08-1406-1	UH21801-12-1008-1	UH241002-16-1208-1	UH281002-20-1410-2	consult factory
70	UH18621-06-1006-1	UH21801-08-1406-1	UH24802-12-1008-1	UH281002-16-1208-A-4	consult factory	consult factory
80	UH18621-06-1006-1	UH21801-08-1206-1	UH24802-12-1008-1	consult factory	consult factory	consult factory
90	UH18621-06-1006-1	UH24801-08-1406-3	UH281002-12-1008-B-2	consult factory	consult factory	consult factory
100	UH24801-06-1806-1	UH21622-08-1006-1	UH281002-12-1008-B-2	consult factory	consult factory	consult factory

Stretch Capacities based on 10% sag, speed of 150 ft/min. and acceleration of 0.75 ft/sec².

FEET OF HOSE	HOSE I.D.					
	3/8"	1/2"	3/4"	1"	1-1/4"	1-1/2"
20	UH18351-06-1406-5	UH18351-08-1006-3	UH18751-12-1008-1	UH21751-16-1208-1	UH241001-20-1410-4	UH281002-24-1610-1
30	UH18351-06-1406-5	UH18351-08-1006-3	UH18751-12-1008-1	UH21751-16-1208-1	UH241001-20-1410-4	UH281002-24-1610-1
40	UH18351-06-1406-5	UH18351-08-1006-3	UH21751-12-1008-1	UH24751-16-1208-3	UH241001-20-1410-4	UH281002-24-1610-1
50	UH18621-06-1006-2	UH18801-08-1006-1	UH21801-12-1008-3	UH241001-16-1208-1	UH281002-20-1410-1	UH321002-24-1610-4
60	UH18621-06-1006-2	UH21801-08-1406-1	UH21801-12-1008-3	UH241001-16-1208-1	UH281002-20-1410-1	UH321002-24-1610-4
70	UH18621-06-1006-2	UH21801-08-1406-1	UH24802-12-1008-1	UH28802-16-1208-6	UH281002-20-1410-1	consult factory
80	UH18621-06-1006-2	UH21801-08-1206-1	UH24802-12-1008-1	UH281002-16-1208-A-1	consult factory	consult factory
90	UH21801-06-1406-1	UH24801-08-1406-2	UH281002-12-1008-B-1	UH281002-16-1208-A-1	consult factory	consult factory
100	UH24801-06-1806-2	UH21622-08-1006-1	UH281002-12-1008-B-1	consult factory	consult factory	consult factory

Retrieve Capacities based on 3 ft. mounting height, speed of 150 ft/min. and acceleration of 1.0 ft/sec².

FEET OF HOSE	HOSE I.D.					
	3/8"	1/2"	3/4"	1"	1-1/4"	1-1/2"
20	UH18351-06-1406-3	UH18351-08-1206-4	UH18351-12-1008-6	UH21751-16-1208-2	UH24751-20-1410-3	UH28751-24-1610-5
30	UH18351-06-1406-3	UH18351-08-1206-4	UH18351-12-1008-6	UH21751-16-1208-2	UH24751-20-1410-3	UH28751-24-1610-5
40	UH18351-06-1406-3	UH18621-08-1006-2	UH21751-12-1008-1	UH24751-16-1208-2	UH24751-20-1410-3	UH28751-24-1610-5
50	UH18351-06-1406-3	UH18621-08-1006-2	UH21621-12-1008-5	UH24801-16-1208-3	UH281001-20-1410-2	UH321001-24-1610-2
60	UH18621-06-1406-2	UH21621-08-1406-3	UH21621-12-1008-5	UH24801-16-1208-3	UH281001-20-1410-2	UH321001-24-1610-2
70	UH18621-06-1206-2	UH21621-08-1406-3	UH24801-12-1008-2	UH28801-16-1208-3	UH28802-20-1410-3	UH321001-24-1610-2
80	UH18621-06-1206-2	UH21621-08-1206-3	UH24801-12-1008-2	UH28801-16-1208-3	UH32802-20-1410-3	UH32802-24-1610-4
90	UH21621-06-1406-2	UH21621-08-1206-3	UH28622-12-1008-3	UH28801-16-1208-3	UH32802-20-1410-3	consult factory
100	UH21621-06-1206-2	UH24621-08-1406-3	UH28622-12-1008-3	UH32802-16-1208-2	UH32802-20-1410-3	consult factory

Hose-Master

Single Hose, General Purpose Reels



Standard Features

- 300 PSI standard rating, ratings to 1500 PSI available.
- 1. Optional Ball Stop
- 2. Standard Roller Guide accommodates a variety of mounting configurations.
- 3. Fluid Path/ Main Shaft also available in stainless steel.
- 4. Safetychange® Spring Motor makes replacement safe and easy.
- 5. Welded, all steel frame for maximum strength.
- 6. Optional 340° Pivot Base (not shown).
- Ratchet Lock w/Disengage STANDARD.

Air Hose Reels

Lift

STANDARD HOSE SIZE	FEET OF HOSE					
	20	30	40	50	60	70
1/4 X 5/8	HM141-4-P3	HM143-4-P1	HM143-4-P2	HM197-4-P2	HM197-4-P3	HM197-4-P4
3/8 X 3/4	HM141-6-P4	HM142-6-P3	HM197-6-P2	HM197-6-P3	HM197-6-P4	HM197-6-P5
1/2 X 7/8	HM142-8-P3	HM197-8-P4	HM194-8-P2			

Stretch (capacities based on 10% sag)

STANDARD HOSE SIZE	FEET OF HOSE					
	20	30	40	50	60	70
1/4 X 5/8	HM141-4-P4	HM142-4-P2	HM143-4-P2	HM197-4-P2	HM197-4-P3	HM197-4-P4
3/8 X 3/4	HM142-6-P2	HM142-6-P3	HM197-6-P2	HM197-6-P3	HM197-6-P4	HM194-6-P2
1/2 X 7/8	HM142-8-P3	HM194-8-P1	HM194-8-P2			

Retrieve (capacities based on 3 ft. mounting height)

STANDARD HOSE SIZE	FEET OF HOSE					
	20	30	40	50	60	70
1/4 X 5/8	HM142-4-P2	HM142-4-P3	HM143-4-P2	HM197-4-P3	HM197-4-P4	HM194-4-P1
3/8 X 3/4	HM142-6-P2	HM142-6-P3	HM197-6-P3	HM197-6-P4	HM197-6-P5	HM194-6-P2
1/2 X 7/8	HM143-8-P3	HM195-8-P2	HM195-8-P3			

Liquid Hose Reels

Lift

STANDARD HOSE SIZE	FEET OF HOSE					
	20	30	40	50	60	70
1/4 X 5/8	HM141-4-P4	HM142-4-P2	HM143-4-P2	HM197-4-P2	HM197-4-P3	HM197-4-P4
3/8 X 3/4	HM142-6-P2	HM142-6-P3	HM197-6-P2	HM197-6-P3	HM197-6-P4	HM194-6-P2
1/2 X 7/8	HM142-8-P3	HM194-8-P1	HM194-8-P2			

Stretch (capacities based on 10% sag)

STANDARD HOSE SIZE	FEET OF HOSE					
	20	30	40	50	60	70
1/4 X 5/8	HM141-4-P4	HM142-4-P2	HM143-4-P2	HM197-4-P2	HM197-4-P3	HM197-4-P4
3/8 X 3/4	HM142-6-P2	HM142-6-P3	HM197-6-P3	HM197-6-P4	HM194-6-P1	HM194-6-P2
1/2 X 7/8	HM142-8-P4	HM194-8-P1	HM194-8-P2			

Retrieve (capacities based on 3 ft. mounting height)

STANDARD HOSE SIZE	FEET OF HOSE					
	20	30	40	50	60	70
1/4 X 5/8	HM142-4-P2	HM142-4-P3	HM142-4-P2	HM197-4-P3	HM197-4-P4	HM194-4-P1
3/8 X 3/4	HM142-6-P2	HM142-6-P3	HM197-6-P3	HM197-6-P4	HM197-6-P5	HM194-6-P2
1/2 X 7/8	HM143-8-P4	HM195-8-P2	HM195-8-P3			

Options– Add as suffix to model numbers above: **C2** = Ball Stop **S** = Pivot Base **SS** = Stainless Steel Fluid Path

K-Reels

Dual Hose, Hydraulic Reels

Standard Features

- 3000 PSI standard swivel joint rating.
- 1. Dual port swivel joint removes easily when replacing seal.
- 2. Hose connections readily accessible.
- 3. Welded, all steel frame for maximum strength.
- Safetychange® Spring Motor makes replacement safe and easy.
- Optional Ratchet Lock.
- Pre-lubricated, sealed ball bearings.



Lift

FEET OF HOSE	STANDARD HOSE SIZES*			
	1/4" I.D.	3/8" I.D.	1/2" I.D.	3/4" I.D.
10	K18351-4-10	K21351-6-10	K18751-8-1	K241001-12-1
15	K18351-4-10	K21751-6-1	K21751-8-1	K241001-12-2
20	K21751-4-1	K21751-6-1	K21751-8-1	K281001-12-6
25	K21751-4-1	K24751-6-1	K24751-8-2	K32753-12-4
30	K24751-4-1	K24751-6-1	K28751-8-5	K32753-12-4
35	K24751-4-1	K28751-6-3	K281001-8-1	K32753-12-4
40	K28751-4-1	K28751-6-3	K321001-8-1	
45	K28751-4-1	K281001-6-1	K321001-8-1	
50	K28751-4-1	K281001-6-1	K321001-8-1	
55	K28751-4-1	K321001-6-1		
60	K321001-4-1	K321001-6-1		
65	K321001-4-1	K321001-6-1		
70	K321001-4-1			
75	K32802-4-1			
80	K32802-4-1			

Stretch

(capacities based on 6% sag)

FEET OF HOSE	STANDARD HOSE SIZES*			
	1/4" I.D.	3/8" I.D.	1/2" I.D.	3/4" I.D.
10	K18751-4-1	K18751-6-1	K18751-8-3	K241001-12-5
15	K18751-4-1	K21751-6-2	K21751-8-4	K241001-12-5
20	K21751-4-1	K21751-6-2	K21751-8-4	K28753-12-3
25	K21751-4-1	K24751-6-5	K241001-8-1	K32753-12-8
30	K24751-4-1	K24751-6-5	K281001-8-5	K32754-12-4
35	K24751-4-1	K281001-6-1	K281001-8-3	K32754-12-4
40	K281001-4-1	K281001-6-1	K32752-8-3	
45	K281001-4-1	K281001-6-1	K32752-8-3	
50	K281001-4-1	K281001-6-1	K32753-8-1	
55	K281001-4-1	K32752-6-1		
60	K321001-4-1	K32753-6-1		
65	K321001-4-1	K32753-6-1		
70	K321001-4-1			
75	K32802-4-7			
80	K32802-4-7			

Charts above based on SAE100R2 two wire braid hose. Consult factory if vinyl hose is to be used. Weights shown below for single hose without fluid.

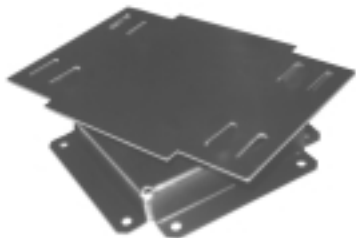
I.D.	MAX O.D.	WEIGHT PER FOOT
0.250"	0.580"	0.330 lbs.
0.375"	0.840"	0.450 lbs.
0.500"	0.970"	0.560 lbs.
0.750"	1.250"	0.800 lbs.



GLEASON K-REEL installed on a hoist.

U-Reel Accessories

340° PIVOT BASE



SPOOL WIDTH	PART NUMBER
4"-6"	042284
8"-10"	042285
12"-14"	042286

ROLLER HOSE GUIDES



Roller Guides aid hose rewind and also correctly position pivot base mounted reel. Specify horizontal or vertical retrieval (horizontal shown above). Width is automatically calculated to fit width of spool.

HOSE STOPS



PART NUMBER	TYPE	FITS O.D.s MIN - MAX
037529	B	0.44 - 0.62
037531	A	0.62 - 0.75
037532	A	0.75 - 1.05
037533	A	1.06 - 1.30
037535	B	0.75 - 1.05
037536	B	1.06 - 1.38
037537	B	1.39 - 1.55
041845	B	1.56 - 1.87
041846	B	1.88 - 2.06

ACCESSORY CODE

Affix letters for each accessory to end of model number. See below.

Horizontal Roller Guide = **H** 340° Pivot Base = **P**
 Vertical Roller Guide = **V** Dog & Ratchet (ratchet lock) = **D**
 Spool Lock = **S** Limit Switch = **L**

STOCK HOSE DATA

Nominal I.D. (in.)	Nominal O.D. (in.)	Maximum Pressure (psi)	Weight Per Foot (lbs.)	Liquid Weight Per Foot (lbs.)
0.375	.73	315	0.18	0.05
0.500	.88	315	0.24	0.09
0.750	1.19	315	0.40	0.19
1.000	1.47	250	0.54	0.34
1.250	1.73	200	0.68	0.53
1.500	1.98	150	0.79	0.77

DOG & RATCHET

Standard Rotation....P/N 042230
 Reverse Rotation....P/N 042231

Used on hand pull reels only.
 Ratchet locks spool after hose is extended to remove tension from hose, releases with a tug to rewind hose (similar to a window shade).

SPOOL LOCK

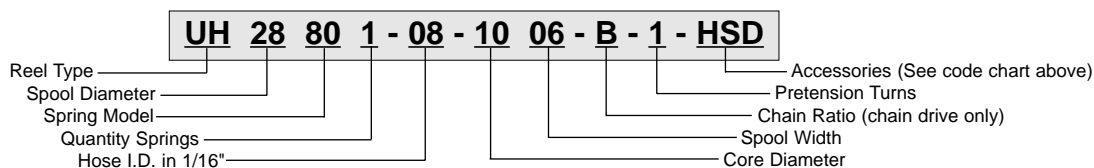
All models....P/N 042227

Pin that can be manually extended thru hole in spool to prevent rotation during spring adjustment, hose replacement or other maintenance.

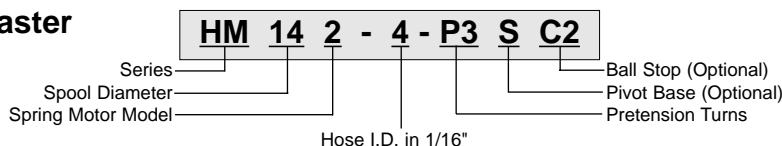
Model Numbers

Choose the correct model number from the Selection Charts on the preceding pages using your hose and application information. Please consult Gleason Reel Corp. if you don't find a hose reel that fits your specific application. For your convenience, model number explanations are shown below.

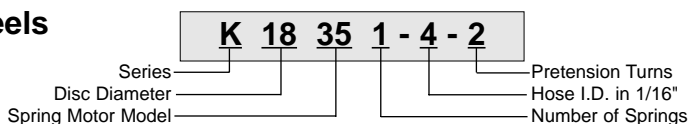
U-Reels



Hose-Master

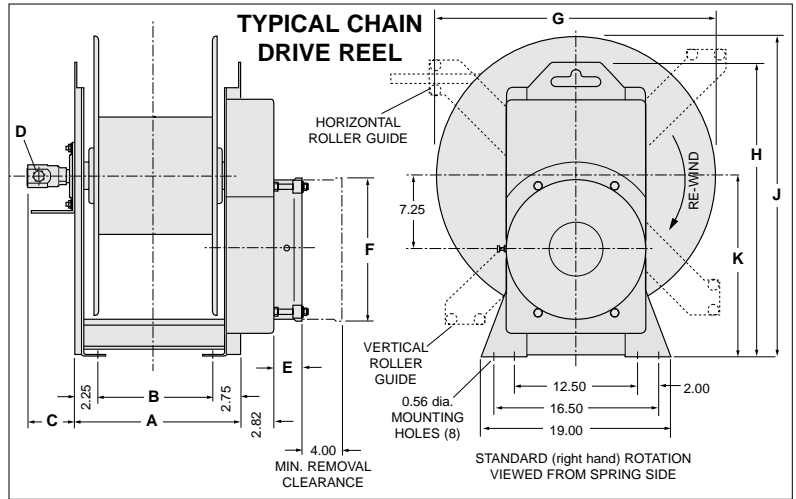
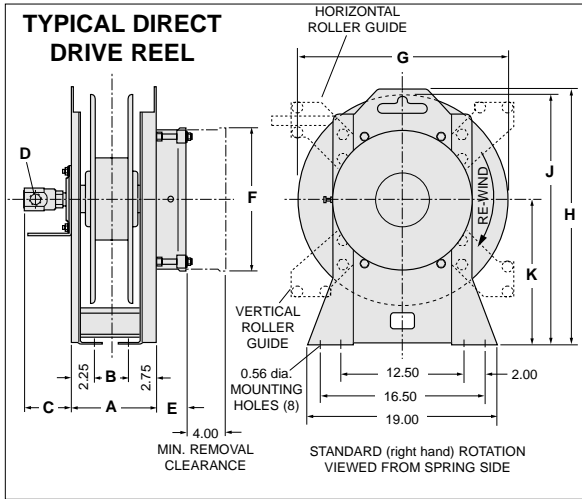


K-Reels



U-Reel Dimensional Guide

All dimensions in inches. For millimeters, multiply inches by 25.4.



To find dimensions for the model reel you require, you must know:

- Spool Diameter and Width
- Hose I.D.
- Model of Spring(s)
- Quantity of Spring(s) in Motor
- Whether Reel is Direct Drive or Chain Drive

REEL WIDTH DIMENSIONS

SPOOL WIDTH	OVERALL FRAME "A"	MOUNTING HOLES "B"
6.00	10.50	5.50
8.00	12.50	7.50
10.00	14.50	9.50
12.00	16.50	11.50
14.00	18.50	13.50

OVERALL SIZE

SPOOL DIA. "G"	FRAME HEIGHT "H"	SPOOL HEIGHT "J"	SPOOL CENTER "K"	WEIGHT* "Y" lbs.
18	24.25	22.00	13.00	84
21	25.75	25.00	14.50	91
24	27.25	28.00	16.00	100
28	29.25	32.00	18.00	115
32	31.25	36.00	20.00	140

Find the dimensions for the known factors and plug them into the drawings above. Dimensions already on the drawings are the same for all models. All dimensions in inches.

***Note:** Total weight is sum of "X" and "Y" plus 55 lbs. if chain drive reel. All weights in pounds. For Kg, multiply pounds by 0.45.

SPRING MOTOR DIMENSIONS

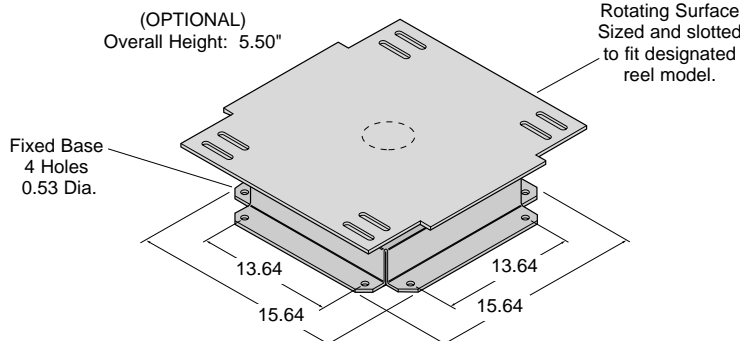
MODEL SPRING	QUANTITY SPRING(S) IN MOTOR	MOTOR WIDTH "E"	MOTOR DIAMETER "F"	WEIGHT* "Y" lbs.
35	1	2.50	10.25	20
62	1	3.00	14.34	40
62	2	5.63	14.34	80
75	1	3.00	10.25	33
75	2	5.63	10.25	66
80	1	3.00	14.34	44
80	2	5.63	14.34	88
100	1	4.00	14.34	64
100	2	7.62	14.34	129

HOSE SIZE DIMENSIONS

HOSE CODE	HOSE I.D.	SWIVEL "C"	"D"
06	3/8	3.00	3/8 NPT
08	1/2	3.12	1/2 NPT
12	3/4	3.25	3/4 NPT
16	1	4.12	1 NPT
20	1-1/4	4.36	1-1/4 NPT
24	1-1/2	6.50	1-1/2 NPT

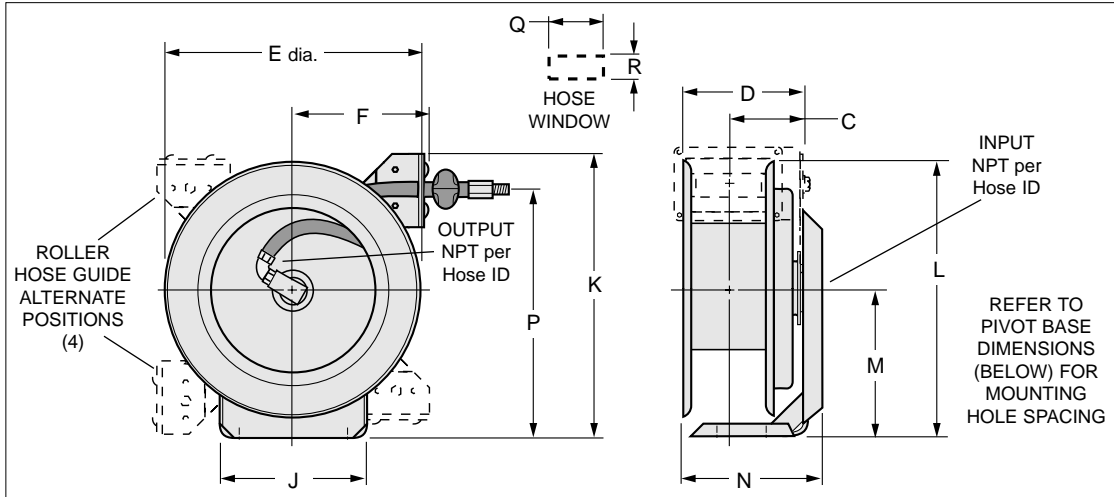
340° Pivot Base

(OPTIONAL)
Overall Height: 5.50"



Hose-Master Dimensional Guide

All dimensions in inches. For millimeters, multiply inches by 25.4.



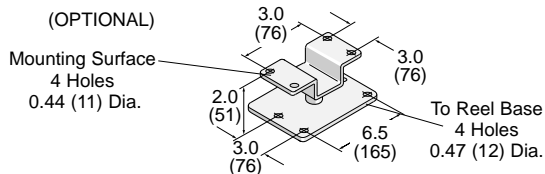
NOMINAL SPOOL DIAMETER	C	D	E	F	J	K	L	M	N	P	Q	R
14	3.88	5.75	13.75	8.25	8.00	16.25	15.00	8.12	7.00	14.25	2.50	1.25
19	5.81	8.19	19.00	10.00	11.00	20.50	20.25	10.75	9.50	18.50	3.50	1.25

Average Net Weight Less Hose

MODEL	WEIGHT
HM 141	30 lbs.
HM 142	32 lbs.
HM 143	42 lbs.
HM 194	75 lbs.
HM 195	58 lbs.
HM 197	60 lbs.

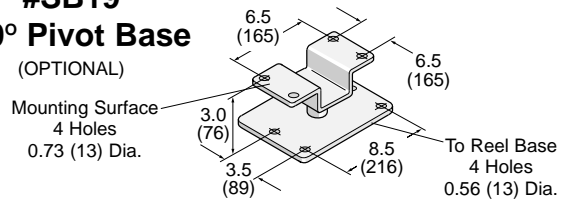
#SB14 340° Pivot Base

(OPTIONAL)



#SB19 340° Pivot Base

(OPTIONAL)



NOTE: Pivot Bases shown with reel mounting plate facing down, position used when reel is hung overhead.

Neoprene Ball Stop (OPTIONAL)

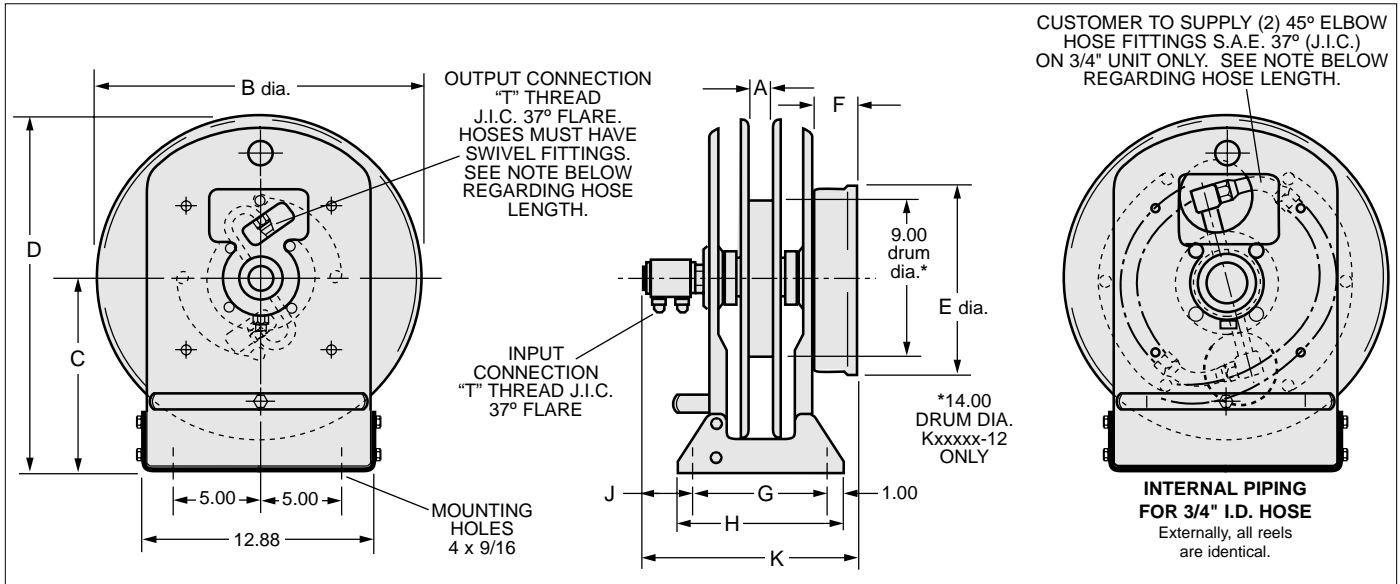
MODEL NUMBER	Hose Range (O.D. min/max)
C0	0.25 – 0.44
C1	0.47 – 0.56
C2	0.57 – 0.69
C3	0.70 – 0.88



K-Reel

Dimensional Guide

All dimensions in inches. For millimeters, multiply inches by 25.4.



MODEL NO.	A	B	C	D	E	F	G	H	J	K	T	WEIGHT
K18351-4	1.25	18.00	10.75	19.75	10.59	2.50	7.50	9.50	2.88	12.12	.56-18	115 lbs.
K18751-4	1.25	18.00	10.75	19.75	10.59	3.00	7.50	9.50	2.88	12.62	.56-18	120 lbs.
K21751-4	1.25	21.00	12.50	23.00	10.59	3.00	7.50	9.50	2.88	12.62	.56-18	130 lbs.
K24751-4	1.25	24.00	14.00	26.00	10.59	3.00	7.50	9.50	2.88	12.62	.56-18	140 lbs.
K28751-4	1.25	28.00	16.00	30.00	10.59	3.00	7.50	9.50	2.88	12.62	.56-18	150 lbs.
K281001-4	1.25	28.00	16.00	30.00	14.34	4.00	7.50	9.50	2.88	13.62	.56-18	160 lbs.
K32802-4	1.25	32.00	18.00	34.00	14.34	5.38	7.50	9.50	2.88	15.00	.56-18	235 lbs.
K321001-4	1.25	32.00	18.00	34.00	14.34	4.00	7.50	9.50	2.88	13.62	.56-18	180 lbs.
K18751-6	1.75	18.00	10.75	19.75	10.59	3.00	8.00	10.00	2.88	13.12	.75-16	120 lbs.
K21351-6	1.75	21.00	12.50	23.00	10.59	2.50	8.00	10.00	2.88	12.62	.75-16	115 lbs.
K21751-6	1.75	21.00	12.50	23.00	10.59	3.00	8.00	10.00	2.88	13.12	.75-16	130 lbs.
K24751-6	1.75	24.00	14.00	26.00	10.59	3.00	8.00	10.00	2.88	13.12	.75-16	140 lbs.
K28751-6	1.75	28.00	16.00	30.00	10.59	3.00	8.00	10.00	2.88	13.12	.75-16	155 lbs.
K281001-6	1.75	28.00	16.00	30.00	14.34	4.00	8.00	10.00	2.88	14.12	.75-16	165 lbs.
K32752-6	1.75	32.00	18.00	34.00	10.59	5.38	8.00	10.00	2.88	15.50	.75-16	225 lbs.
K32753-6	1.75	32.00	18.00	34.00	10.59	7.75	8.00	10.00	2.88	17.88	.75-16	280 lbs.
K321001-6	1.75	32.00	18.00	34.00	14.34	4.00	8.00	10.00	2.88	14.12	.75-16	180 lbs.
K18751-8	2.12	18.00	10.75	19.75	10.59	3.00	8.38	10.38	2.88	13.50	.88-14	120 lbs.
K21751-8	2.12	21.00	12.50	23.00	10.59	3.00	8.38	10.38	2.88	13.50	.88-14	130 lbs.
K24751-8	2.12	24.00	14.00	26.00	10.59	3.00	8.38	10.38	2.88	13.50	.88-14	140 lbs.
K241001-8	2.12	24.00	14.00	26.00	14.59	4.00	8.38	10.38	2.88	14.50	.88-14	150 lbs.
K28751-8	2.12	28.00	16.00	30.00	10.59	3.00	8.38	10.38	2.88	13.50	.88-14	155 lbs.
K281001-8	2.12	28.00	16.00	30.00	14.34	4.00	8.38	10.38	2.88	14.50	.88-14	165 lbs.
K32752-8	2.12	32.00	18.00	34.00	10.59	5.38	8.38	10.38	2.88	15.88	.88-14	225 lbs.
K32753-8	2.12	32.00	18.00	34.00	10.59	7.75	8.38	10.38	2.88	18.25	.88-14	280 lbs.
K321001-8	2.12	32.00	18.00	34.00	14.34	4.00	8.38	10.38	2.88	14.50	.88-14	180 lbs.
K241001-12	2.75	24.00	14.00	26.00	14.34	4.00	9.00	11.00	2.88	16.77	1.06-12	160 lbs.
K28753-12	2.75	28.00	16.00	30.00	10.59	7.75	9.00	11.00	2.88	20.56	1.06-12	275 lbs.
K281001-12	2.75	28.00	16.00	30.00	14.34	4.00	9.00	11.00	2.88	16.77	1.06-12	175 lbs.
K32753-12	2.75	32.00	18.00	34.00	10.59	7.75	9.00	11.00	2.88	20.56	1.06-12	290 lbs.
K32754-12	2.75	32.00	18.00	34.00	10.59	10.12	9.00	11.00	2.88	22.88	1.06-12	350 lbs.

NOTE REGARDING HOSE LENGTH: Because hoses attach to reel on opposite sides of spool core (see drawings above), one hose must be longer than the other per following table.

Optional Ratchet Lock
All Models: Part No. 014209

1/4" i.d.....12"
3/8" i.d.....16"
1/2" i.d.....16"
3/4" i.d.....24"

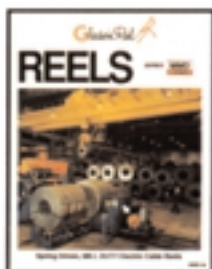
Cable Management

Since 1911, Gleason Reel Corp. has been in the business of CABLE MANAGEMENT. Our products are designed to convey and protect valuable cables and hoses that power and control moving machines of all types. They improve productivity and safety on the job by moving cables and hoses away from hazardous locations on machinery or the shop floor into a controlled environment. Whether you choose Reels for efficient storage and payout from virtually any angle, Festoon Systems for overhead applications or PowerTrak® for protection on machinery in motion, your cables and/or hoses will last longer and provide better service with a cable management system from **Gleason Reel Corp...**

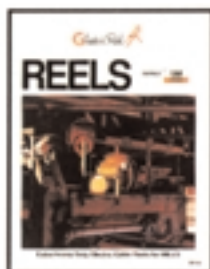
...The Cable & Hose Management Company!



Bulletin "CR"
Heavy Duty
Spring Driven
Electric Cable Reels
General Industrial



Bulletin "MMD"
Mill Duty
Spring Driven
Electric Cable Reels
Demanding Service



Bulletin "SM"
Heavy Mill Duty
Spring Driven
Electric Cable Reels
Steel Mill Service



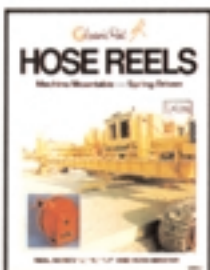
Bulletin "RET"
Long Travel Length
Motor Driven
Electric Cable Reels
Standard Industrial



Bulletin "PSR"
Lifting & Lowering
Motor Driven
Electric Cable Reels
Push-Button Reels



Bulletin "VMR"
Large Retrieving
Motor Driven
Electric Cable Reels
Heavy Duty Industrial



Bulletin "HMR"
Various Types
Spring Driven
Hose Reels
General Industrial



Bulletin "SR"
Slip Rings
Unitized Design
Low & High Amperage
Low & Medium Voltage



Bulletin "PTG"
Non-Metallic
Cable Chain
For Hose & Cable
Lightweight, Economical



Bulletin "PT"
Rugged Steel
Cable Chain
For Hose & Cable
Standard & Mill Duty



Bulletin "FC"
Rugged Steel
C-Rail Mounted
Festoon Systems
General Industrial



Bulletin "FB"
Heavy Duty
I-Rail Mounted
Festoon Systems
Heavy Duty Port Types



HUBBELL A Hubbell Company

Gleason Reel Corp.

P.O. Box 26 • 600 South Clark St.
Mayville, Wisconsin 53050-0026
Phone: 920-387-4120
Fax: 920-387-4189

In your area contact: