

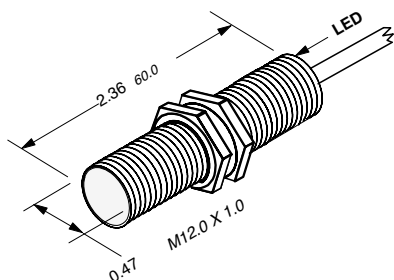
Inductive 4 Wire DC Sensing range: 2mm – 4mm

Operating distance		2mm	4mm
Catalog number		SIF2M12NV2PK SIF2M12NV2NK	SIN4M12NV2PK SIN4M12NV2NK
List price		\$ 82.00	\$ 83.00
Sensor mounting		Shielded	Non-shielded
Output			
Suf□x PK		PNP N.O. + N.C.	PNP N.O. + N.C.
Suf□x NK		NPN N.O. + N.C.	NPN N.O. + N.C.
Operating voltage	VDC	10 – 30	10 – 30
Load current	mA	200	200
Switching frequency	Hz	1000	1000
No load supply current	mA	20	20
Voltage drop	VDC	2	2
Short circuit protection		yes	yes
Reverse polarity protection		yes	yes
Output indication		LED yellow	LED yellow
Operating temperature	°F	-13 ... +158	-13 ... +158
Protection			
IEC		IP67	IP67
Approvals			
CE		yes	yes
UL Listed		yes	yes
CSA		yes	yes
Wire size		26 AWG/0.14mm ²	26 AWG/0.14mm ²
Housing material		Nickel-plated brass	Nickel-plated brass
Housing diameter	mm	12	12
Sensing face		Crastin	Crastin
Connection		2 m, PVC cable	2 m, PVC cable

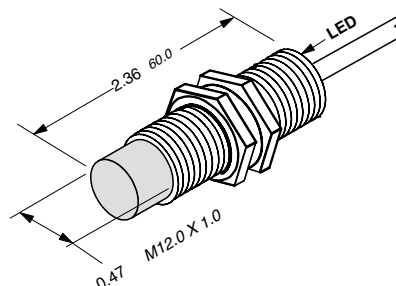


10

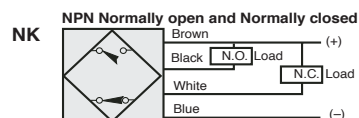
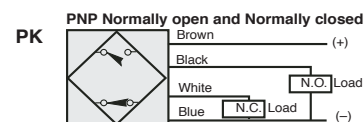
Approximate dimensions



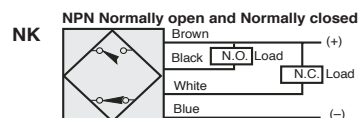
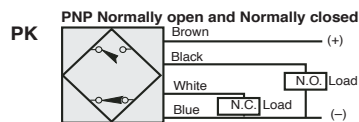
Approximate dimensions



Wiring diagrams



Wiring diagrams



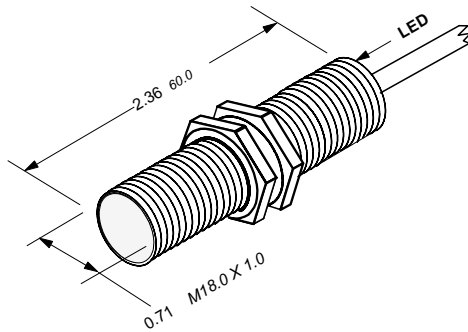
Inductive 4 Wire DC Sensing range: 5mm – 8mm

Operating distance		5mm	8mm
Catalog number		SIF5M18NV2PK SIF5M18NV2NK	SIN8M18NV2PK SIN8M18NV2NK
List price		\$ 84.00	\$ 85.00
Sensor mounting		Shielded	Non-shielded
Output			
Suffix PK		PNP N.O. + N.C.	PNP N.O. + N.C.
Suffix NK		NPN N.O. + N.C.	NPN N.O. + N.C.
Operating voltage	VDC	10 – 30	10 – 30
Load current	mA	200	200
Switching frequency	Hz	800	700
No load supply current	mA	20	20
Voltage drop	VDC	2	3
Short circuit protection		yes	yes
Reverse polarity protection		yes	yes
Output indication		LED yellow	LED yellow
Operating temperature	°F	-13 ... +158	-13 ... +158
Protection			
IEC		IP67	IP67
Approvals			
CE		yes	yes
UL Listed		yes	yes
CSA		yes	yes
Wire size		22 AWG/0.34mm ²	22 AWG/0.34mm ²
Housing material		Nickel-plated brass	Nickel-plated brass
Housing diameter	mm	18	18
Sensing face		Crastin	Crastin
Connection		2 m, PVC cable	2 m, PVC cable

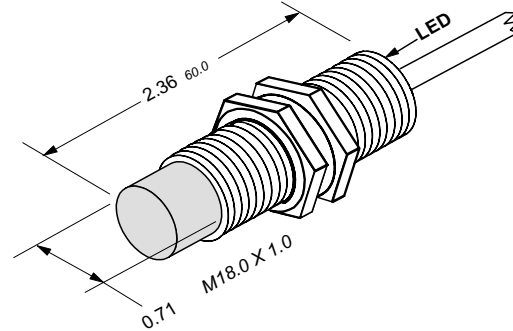


10

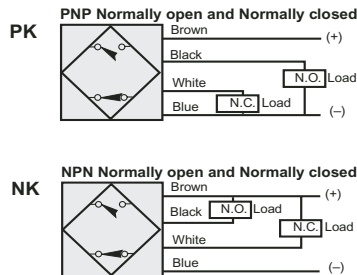
Approximate dimensions



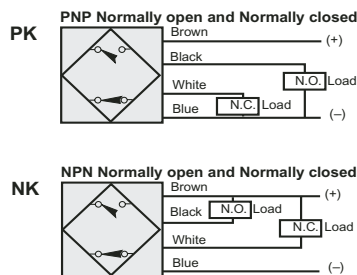
Approximate dimensions



Wiring diagrams



Wiring diagrams



Inductive 4 Wire DC Sensing range: 10mm – 15mm

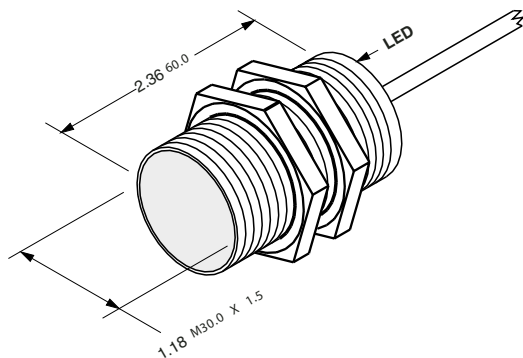
Operating distance		10mm	15mm
Catalog number		SIF10M30NV2PK SIF10M30NV2NK	SIN15M30NV2PK SIN15M30NV2NK
List price		\$ 92.00	\$ 94.00
Sensor mounting		Shielded	Non-shielded
Output			
Suffix PK		PNP N.O. + N.C.	PNP N.O. + N.C.
Suffix NK		NPN N.O. + N.C.	NPN N.O. + N.C.
Operating voltage	VDC	10 – 30	10 – 30
Load current	mA	200	200
Switching frequency	Hz	200	200
No load supply current	mA	20	20
Voltage drop	VDC	2	2
Short circuit protection		yes	yes
Reverse polarity protection		yes	yes
Output indication		LED yellow	LED yellow
Operating temperature	°F	-13 ... +158	-13 ... +158
Protection			
IEC		IP67	IP67
Approvals			
CE		yes	yes
UL Listed		yes	yes
CSA		yes	yes
Wire size		22 AWG/0.34mm ²	22 AWG/0.34mm ²
Housing material		Nickel-plated brass	Nickel-plated brass
Housing diameter	mm	30	30
Sensing face		Crastin	Crastin
Connection		2 m, PVC cable	2 m, PVC cable



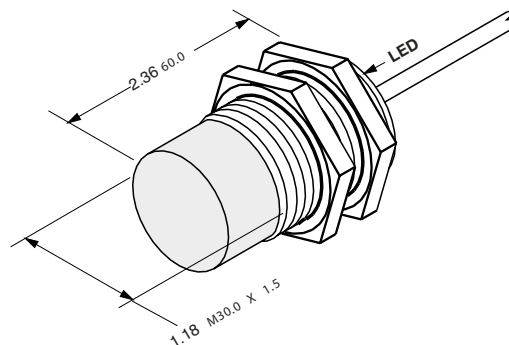
SIN15M30NV2PK

10

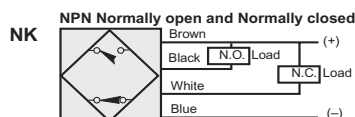
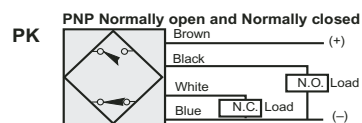
Approximate dimensions



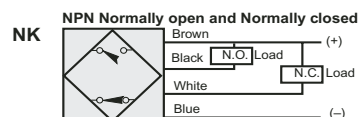
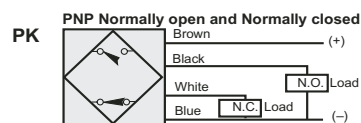
Approximate dimensions



Wiring diagrams



Wiring diagrams



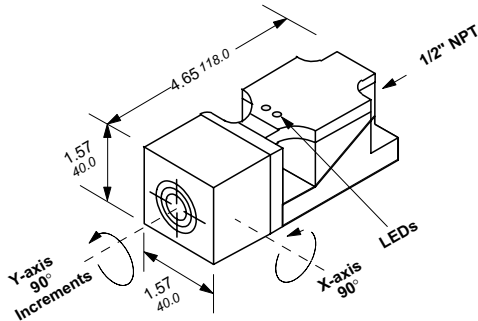
Inductive 4 Wire DC Sensing range: 15mm – 20mm

Operating distance		15mm	20mm
Catalog number		SIF15Q40UTPK ① SIF15Q40UTNK ①	SIF20Q40UTPK ② SIF20Q40UTNK ②
List price		\$ 136.00	\$ 120.00
Sensor mounting		Shielded	Shielded
Output			
Suffix PK		PNP N.O. + N.C.	PNP N.O. + N.C.
Suffix NK		NPN N.O. + N.C.	NPN N.O. + N.C.
Operating voltage	VDC	10 – 60	10 – 60
Load current	mA	200	200
Switching frequency	Hz	150	150
No load supply current	mA	20	20
Voltage drop	VDC	2	2
Short circuit protection		yes	yes
Reverse polarity protection		yes	yes
Output indication		LED yellow/LED green	LED yellow/LED green
Operating temperature	°F	-13 ... +158	-13 ... +158
Protection			
IEC		IP67	IP67
Approvals			
CE		yes	yes
UL Listed		yes	yes
CSA		yes	yes
Wire size		Up to 14 AWG/2.5mm ²	Up to 14 AWG/2.5mm ²
Housing material		Crastin/metal base	Crastin/metal base
Housing diameter	mm	—	—
Sensing face		Crastin	Crastin
Connection		Terminal	Terminal

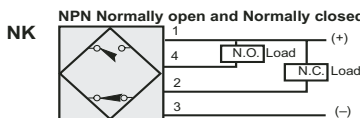
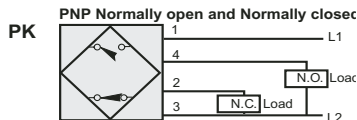


10

Approximate dimensions

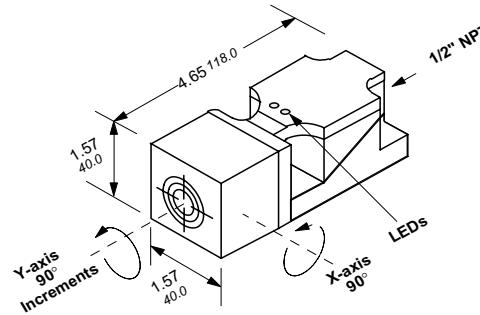


Wiring diagrams

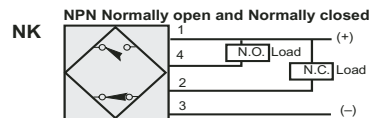
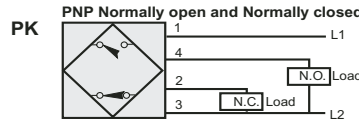


① To order Pg13.5 threaded connection, order part numbers:
SIF15-Q40N-T-PK
SIF15-Q40N-T-NK

Approximate dimensions



Wiring diagrams



② To order Pg13.5 threaded connection, order part numbers:
SIF20-Q40N-T-PK
SIF20-Q40N-T-NK

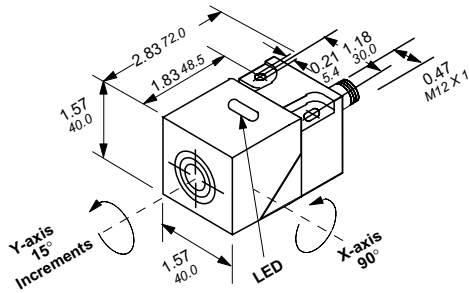
Inductive 4 Wire DC Sensing range: 20mm

Operating distance	20mm	
Catalog number	SIF20Q40TC1PK	
List price	\$ 114.00	
Sensor mounting	Shielded	
Output	PNP N.O. + N.C.	
Suffix PK		
Suffix NK		
Operating voltage	VDC	10 – 30
Load current	mA	200
Switching frequency	Hz	150
No load supply current	mA	20
Voltage drop	VDC	2
Short circuit protection	yes	
Reverse polarity protection	yes	
Output indication	LED yellow	
Operating temperature	°F	-13 ... +158
Protection	IP67	
IEC		
Approvals		
CE	yes	
UL Listed	yes	
CSA	yes	
Wire size	—	
Housing material	Crastin/Crastin base	
Housing diameter	mm	—
Sensing face	Crastin	
Connection	Connector M12	

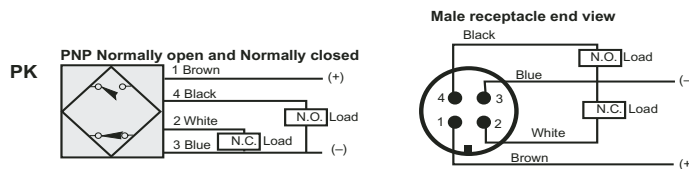


10

Approximate dimensions



Wiring diagrams



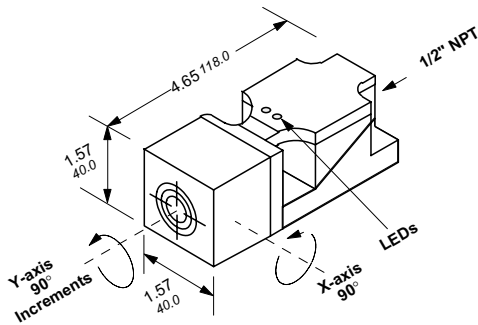
Inductive 4 Wire DC Sensing range: 30mm

Operating distance		30mm	30mm
Catalog number		SIN30Q40UTPK ① SIN30Q40UTNK	SIN30Q40TC1PK
List price		\$ 124.00	\$ 124.00
Sensor mounting		Non-shielded	Non-shielded
Output			
Suffix PK		PNP N.O. + N.C.	PNP N.O. + N.C.
Suffix NK		NPN N.O. + N.C.	
Operating voltage	VDC	10 – 60	10 – 30
Load current	mA	200	200
Switching frequency	Hz	150	150
No load supply current	mA	20	20
Voltage drop	VDC	2	2
Short circuit protection		yes	yes
Reverse polarity protection		yes	yes
Output indication		LED yellow/LED green	LED yellow
Operating temperature	°F	-13 ... +158	-13 ... +158
Protection			
IEC		IP67	IP67
Approvals			
CE		yes	yes
UL Listed		yes	yes
CSA		yes	yes
Wire size		Up to 14 AWG/2.5mm ²	—
Housing material		Crastin/metal base	Crastin/Crastin base
Housing diameter	mm	—	—
Sensing face		Crastin	Crastin
Connection		Terminal	Connector M12

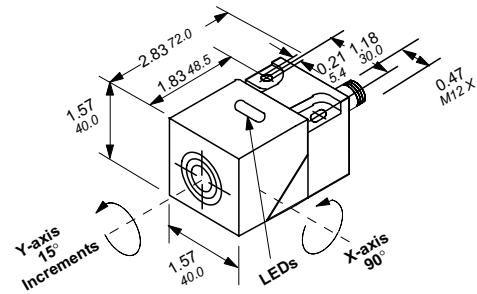


10

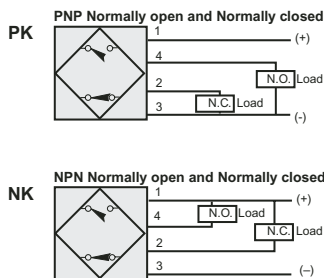
Approximate dimensions



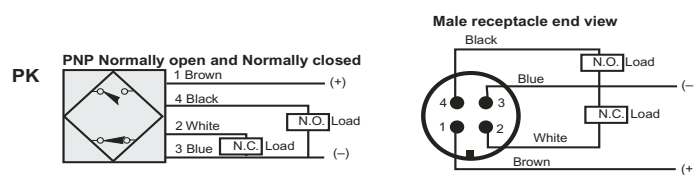
Approximate dimensions



Wiring diagrams



Wiring diagrams



① To order Pg 13.5 threaded connection, order part numbers:
SIN30-Q40N-T-PK, SIN30-Q40N-T-NK.

Inductive 4 Wire DC Sensing range: 40mm

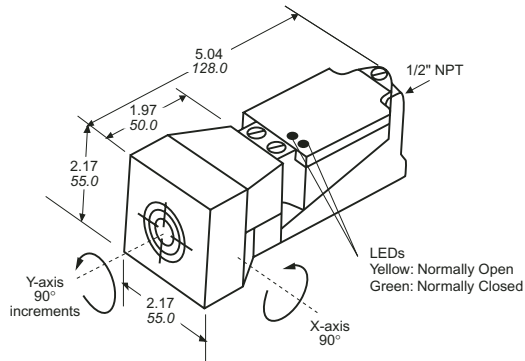
Proximity
Sensors

Operating distance		40mm
Catalog number		SIN40Q55UTPK
List price		\$ 120.00
Sensor mounting		Non-shielded
Output		PNP Normally Open & Normally Closed
Suffix PK		
Suffix NK		
Operating voltage	VDC	10 – 60
Load current	mA	200
Switching frequency	Hz	150
No load supply current	mA	20
Voltage drop	VDC	2
Short circuit protection		yes
Reverse polarity protection		yes
Output indication		LED yellow/LED green
Operating temperature	°F	-13 ... +158
Protection		
IEC		IP67
Approvals		
CE		yes
UL Listed		yes
CSA		yes
Wire size		Up to 14 AWG/2.5mm ²
Housing material		Crastin/metal base
Housing diameter	mm	—
Sensing face		Crastin
Connection		Terminal

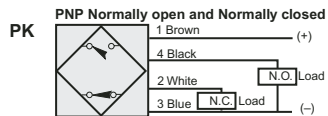


10

Approximate dimensions



Wiring diagrams



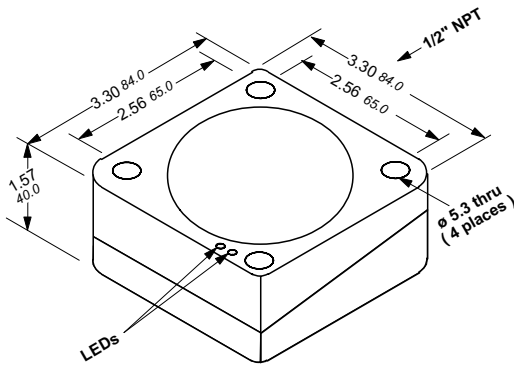
Inductive 4 Wire DC Sensing range: 40mm – 50mm

Operating distance		40mm	50mm
Catalog number		SIF40Q80UTPK ①	SIN50Q80UTPK ②
List price		\$ 225.00	\$ 210.00
Sensor mounting		Shielded	Non-shielded
Output			
Suffix PK		PNP N.O. + N.C.	PNP N.O. + N.C.
Suffix NK			
Operating voltage	VDC	10 – 60	10 – 60
Load current	mA	200	100
Switching frequency	Hz	100	100
No load supply current	mA	20	20
Voltage drop	VDC	2	2
Short circuit protection		yes	yes
Reverse polarity protection		yes	yes
Output indication		LED yellow/LED green	LED yellow/LED green
Operating temperature	°F	-13 ... +158	-13 ... +158
Protection IEC		IP67	IP67
Approvals			
CE		yes	yes
UL Listed		yes	yes
CSA		yes	yes
Wire size		Up to 14 AWG/2.5mm ²	Up to 14 AWG/2.5mm ²
Housing material		Crastin/metal base	Crastin/metal base
Housing diameter	mm	—	—
Sensing face		Crastin	Crastin
Connection		Terminal	Terminal

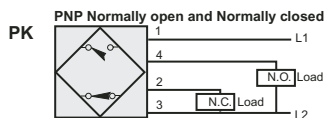


10

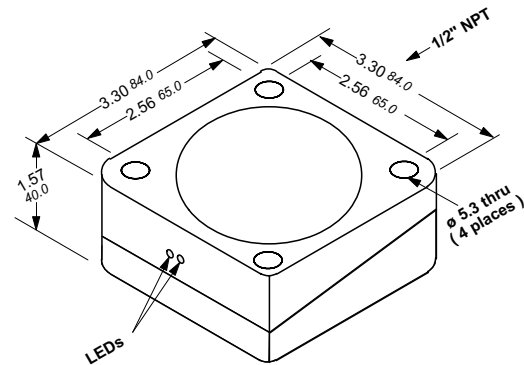
Approximate dimensions



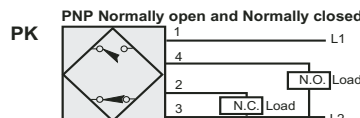
Wiring diagrams



Approximate dimensions



Wiring diagrams



① To order Pg 13.5 threaded connection, order part number:
SIF40-Q80N-T-PK

② To order Pg 13.5 threaded connection, order part number:
SIN50-Q80N-T-PK

Inductive 4 Wire AC Sensing range: 20mm

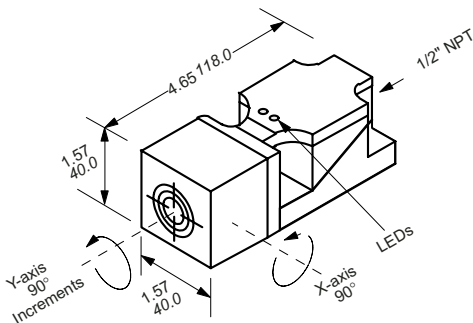
Proximity
Sensors

Operating distance		20mm
Catalog number		SIN20Q40UTAK4
List price		\$ 260.00
Sensor mounting		Non-shielded
Output Suffix AK4		AC Normally Open + Normally Closed
Operating voltage	VAC	20 – 250
Load current	mA	500
Switching frequency	Hz	25
No load supply current	mA	
Voltage drop	VDC	≤3
Short circuit protection		no
Reverse polarity protection		N/A
Output indication		Yellow N.O./Green N.C.
Operating temperature	°F	-13 ... +158
Protection IEC		IP68
Approvals CE UL Listed CSA		yes yes yes
Wire size		Up to 14 AWG/2.5mm ²
Housing material		Crastin/metal base
Housing diameter	mm	—
Sensing face		Crastin
Connection		Terminal

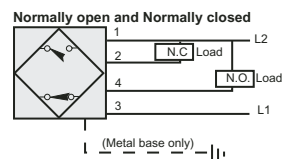


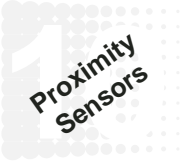
10

Approximate dimensions



Wiring diagrams





Inductive 4 Wire AC Sensing range: 40mm

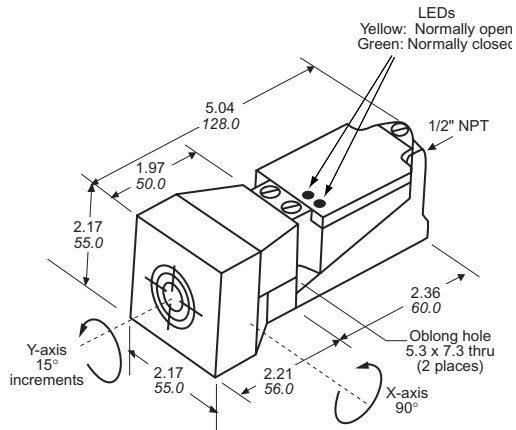


SIN40Q55UTAK4

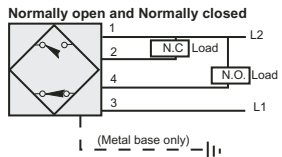
Operating distance		40mm
Catalog number		SIN40Q55UTAK4
List price		\$ 310.00
Sensor mounting		Non-shielded
Output Suffix AK4		AC Normally Open + Normally Closed
Operating voltage	VAC	20 – 250
Load current	mA	500
Switching frequency	Hz	25
No load supply current	mA	
Voltage drop	VAC	≤3
Short circuit protection		no
Reverse polarity protection		N/A
Output indication		Yellow N.O./ Green N.C.
Operating temperature	°F	-13 ... +158
Protection IEC		IP68
Approvals CE		yes
UL Listed		yes
CSA		yes
Wire size		Up to 14 AWG/2.5mm ²
Housing material		Crastin/metal base
Housing diameter	mm	—
Sensing face		Crastin
Connection		Terminal

10

Approximate dimensions



Wiring diagrams



Inductive

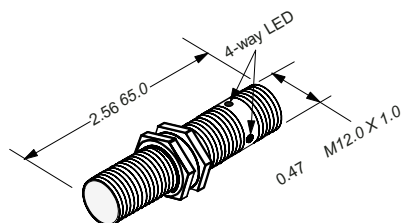
Weld field immune, 3 Wire DC
Sensing range: 2mm

Operating distance		2mm
Catalog number		SIF2M12WC1PO
List price		\$ 70.00
Sensor mounting		Shielded
Output		
Suffix PO		PNP Normally Open
Suffix NO		
Operating voltage	VDC	10 – 30
Load current	mA	200
Switching frequency	Hz	1200
No load supply current	mA	15
Voltage drop	VDC	3
Short circuit protection		yes
Reverse polarity protection		yes
Output indication		Ring LED yellow
Weld field limit		
AC field	mT	200
DC field	mT	200
Operating temperature	°F	-13 ... +158
Protection		
IEC		IP67
Approvals		
CE		yes
UL Listed		yes
CSA		yes
Housing material		Teflon-coated brass
Housing diameter	mm	12
Sensing face		Teflon-coated Rytan
Connection		Connector M12

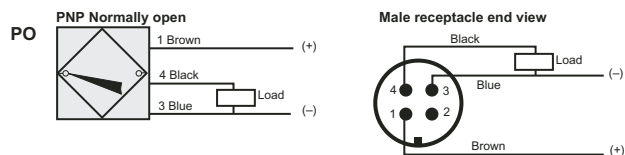


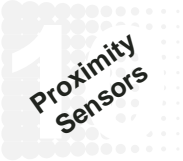
10

Approximate dimensions



Wiring diagrams





Inductive

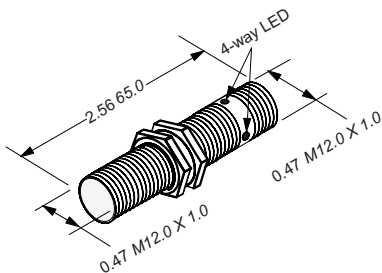
Weld field immune, 3 Wire DC
Sensing range: 4mm

Operating distance		4mm
Catalog number		SIN4M12WC1PO
List price		\$ 70.00
Sensor mounting		Non-shielded
Output		PNP Normally Open
Suffix PO		
Suffix NO		
Operating voltage	VDC	10 – 30
Load current	mA	200
Switching frequency	Hz	1200
No load supply current	mA	15
Voltage drop	VDC	3
Short circuit protection		yes
Reverse polarity protection		yes
Output indication		Ring LED yellow
Weld field limit		
AC field	mT	200
DC field	mT	200
Operating temperature	°F	-13 ... +158
Protection		IP67
IEC		
Approvals		
CE		yes
UL Listed		yes
CSA		yes
Housing material		Teflon-coated brass
Housing diameter	mm	12
Sensing face		Teflon-coated Ryton
Connection		Connector M12

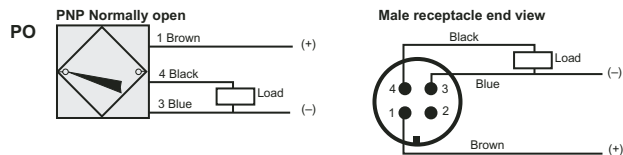


10

Approximate dimensions



Wiring diagrams



Inductive

Weld field immune, 3 Wire DC

Sensing range: 5mm

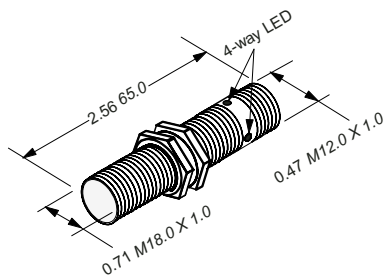
Proximity
Sensors

Operating distance		5mm
Catalog number		SIF5M18WC1PO
List price		\$ 110.00
Sensor mounting		Shielded
Output		PNP Normally Open
Suffix PO		
Suffix NO		
Operating voltage	VDC	10 – 30
Load current	mA	200
Switching frequency	Hz	800
No load supply current	mA	15
Voltage drop	VDC	3
Short circuit protection		yes
Reverse polarity protection		yes
Output indication		Ring LED yellow
Weld field limit		
AC field	mT	150
DC field	mT	150
Operating temperature	°F	-13 ... +158
Protection		
IEC		IP67
Approvals		
CE		yes
UL Listed		yes
CSA		yes
Housing material		Teflon-coated brass
Housing diameter	mm	18
Sensing face		Teflon-coated Ryton
Connection		Connector M12

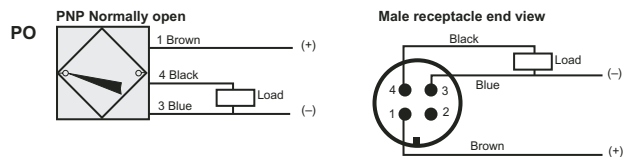


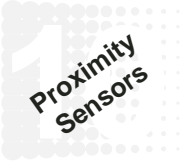
10

Approximate dimensions



Wiring diagrams





Inductive

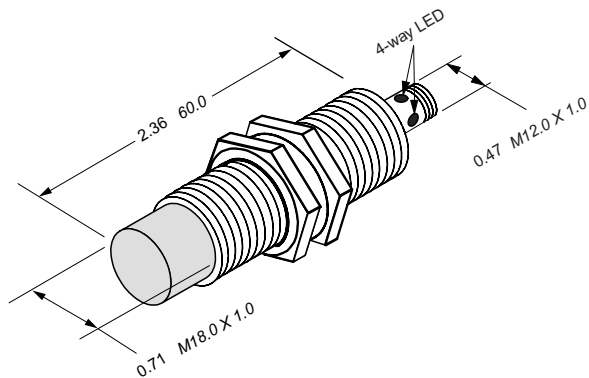
Weld field immune, 3 Wire DC
Sensing range: 8mm

Operating distance		8mm
Catalog number		SIN8M18WC1PO
List price		\$ 110.00
Sensor mounting		Non-shielded
Output		PNP Normally Open
Suffix PO		
Suffix NO		
Operating voltage	VDC	10 – 30
Load current	mA	200
Switching frequency	Hz	500
No load supply current	mA	15
Voltage drop	VDC	3
Short circuit protection		yes
Reverse polarity protection		yes
Output indication		Ring LED yellow
Weld field limit		
AC field	mT	150
DC field	mT	150
Operating temperature	°F	-13 ... +158
Protection		IP67
IEC		
Approvals		
CE		yes
UL Listed		yes
CSA		yes
Housing material		Teflon-coated brass
Housing diameter	mm	18
Sensing face		Teflon-coated Ryton
Connection		Connector M12

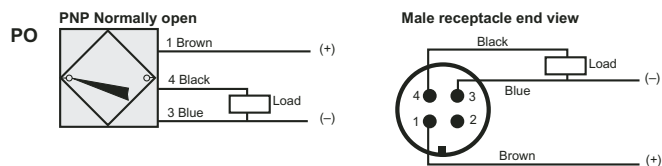


10

Approximate dimensions



Wiring diagrams



Inductive

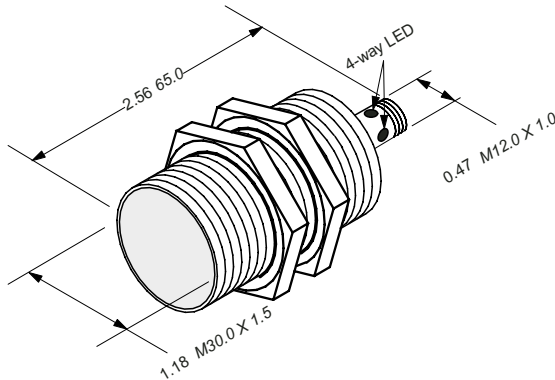
Weld field immune, 3 Wire DC
Sensing range: 10mm

Operating distance		10mm
Catalog number		SIF10M30WC1PO
List price		\$ 100.00
Sensor mounting		Shielded
Output		PNP Normally Open
Suffix PO		
Suffix NO		
Operating voltage	VDC	10 – 30
Load current	mA	200
Switching frequency	Hz	100
No load supply current	mA	15
Voltage drop	VDC	3
Short circuit protection		yes
Reverse polarity protection		yes
Output indication		Ring LED yellow
Weld field limit		
AC field	mT	100
DC field	mT	100
Operating temperature	°F	-13 ... +158
Protection		
IEC		IP67
Approvals		
CE		yes
UL Listed		yes
CSA		yes
Housing material		Teflon-coated brass
Housing diameter	mm	30
Sensing face		Teflon-coated Rytan
Connection		Connector M12

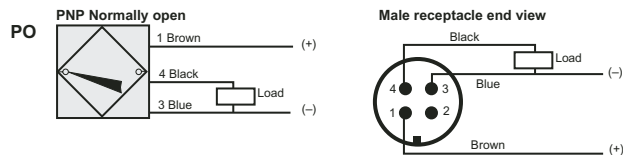


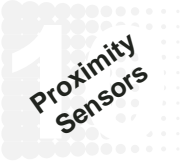
10

Approximate dimensions



Wiring diagrams





Inductive

Weld field immune, 3 Wire DC

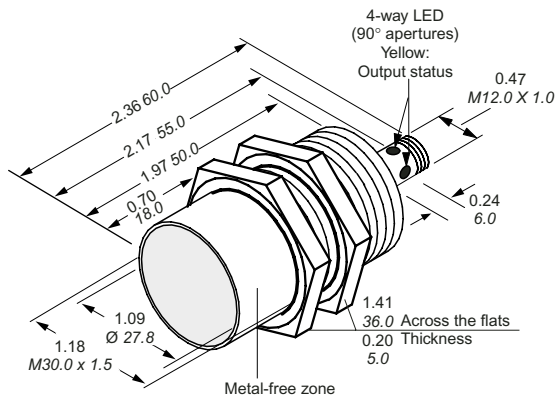
Sensing range: 15mm

Operating distance		15mm
Catalog number		SIN15M30WC1PO
List price		\$ 100.00
Sensor mounting		Non-shielded
Output		PNP Normally Open
Suffix PO		
Suffix NO		
Operating voltage	VDC	10 – 30
Load current	mA	200
Switching frequency	Hz	50
No load supply current	mA	15
Voltage drop	VDC	3
Short circuit protection		yes
Reverse polarity protection		yes
Output indication		Ring LED yellow
Weld field limit		
AC field	mT	100
DC field	mT	100
Operating temperature	°F	-13 ... +158
Protection		
IEC		IP67
Approvals		
CE		yes
UL Listed		yes
CSA		yes
Housing material		Teflon-coated brass
Housing diameter	mm	30
Sensing face		Teflon-coated Ryton
Connection		Connector M12

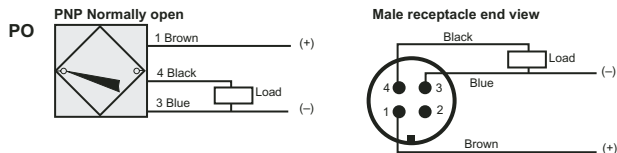


10

Approximate dimensions



Wiring diagrams



Inductive

Weld field immune, 3 Wire DC

Sensing range: 15mm

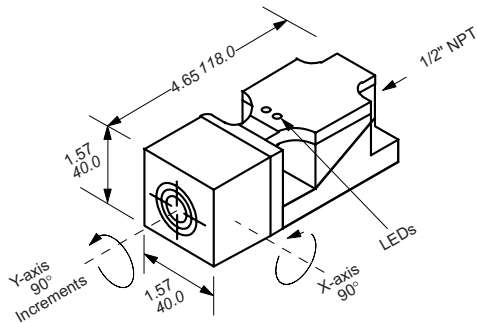
Proximity
Sensors

Operating distance		15mm
Catalog number		SIF15Q40WTPO
List price		\$ 190.00
Sensor mounting		Shielded
Output		PNP Normally Open
Suffix PO		
Suffix NO		
Operating voltage	VDC	10 – 30
Load current	mA	200
Switching frequency	Hz	10
No load supply current	mA	20
Voltage drop	VDC	3
Short circuit protection		yes
Reverse polarity protection		yes
Output indication		Ring LED yellow/green
Weld field limit		
AC field	mT	100
DC field	mT	100
Operating temperature	°F	-13 ... +158
Protection		
IEC		IP67
Approvals		
CE		yes
UL Listed		yes
CSA		yes
Housing material		Crastin/metal base
Housing diameter	mm	—
Sensing face		Crastin
Connection		Terminal

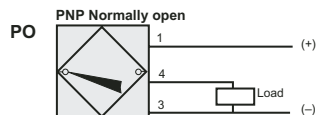


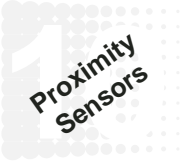
10

Approximate dimensions



Wiring diagrams





Inductive

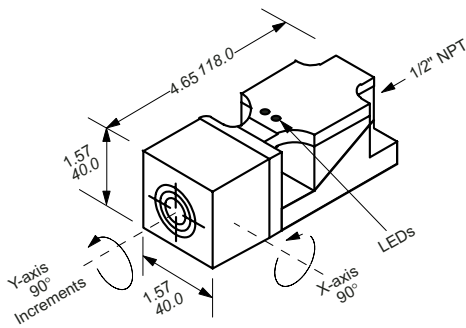
Weld field immune, 2 Wire AC
Sensing range: 15mm

Operating distance		15mm
Catalog number		SIF15Q40WTAO
List price		\$ 280.00
Sensor mounting		Shielded
Output		Normally Open or Normally Closed
Operating voltage	VAC	20 – 250
Load current	mA	400
Switching frequency	Hz	20
No load supply current	mA	—
Voltage drop	VAC	7
Short circuit protection		no
Reverse polarity protection		—
Output indication		LED yellow/green
Weld field limit		
AC field	mT	100
DC field	mT	30
Operating temperature	°F	-13 ... +158
Protection		IP67
Approvals		
CE		yes
UL Listed		yes
CSA		yes
Housing material		Crastin/metal base
Housing diameter	mm	—
Sensing face		Crastin
Connection		Terminal

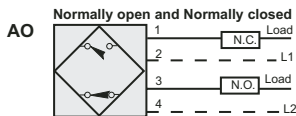


10

Approximate dimensions



Wiring diagrams



Capacitive 3 Wire DC Sensing range: 10mm

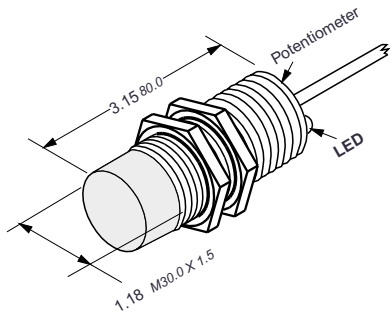
Proximity
Sensors

Operating distance		10mm	10mm
Catalog number		SCF10M30NV2PO	SCF10M30NC1PO
List price		\$ 220.00	\$ 225.00
Sensor mounting		Shielded	Shielded
Output			
Suffix PO		PNP Normally Open	PNP Normally Open
Suffix NO		—	—
Suffix AO		—	—
Operating voltage	VDC	10 – 60	10 – 60
Load current	mA	200	200
Switching frequency	Hz	10	10
No load supply current	mA	20	20
Voltage drop	VDC	2	2
Short circuit protection		yes	yes
Reverse polarity protection		yes	yes
Output indication		LED yellow	LED yellow
Operating temperature	°F	-13 ... +158	-13 ... +158
Protection			
IEC		IP65	IP65
Approvals			
CE		yes	yes
UL Listed		yes	yes
CSA		yes	yes
Wire size		18 AWG/0.75mm ²	—
Housing material		Stainless steel	Stainless steel
Housing diameter	mm	30	30
Sensing face		Crastin	Crastin
Connection		2 m, PVC cable	Connector M12

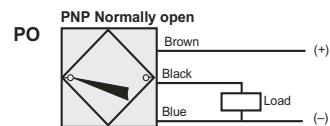


10

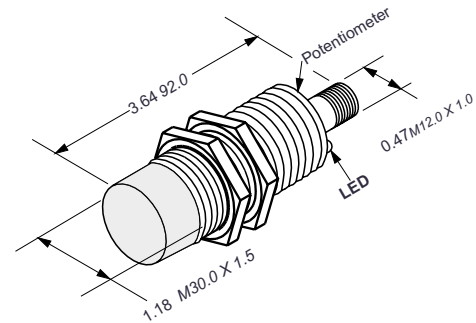
Approximate dimensions



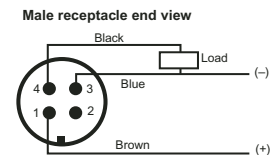
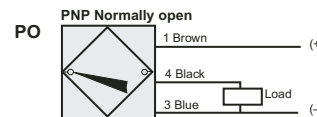
Wiring diagrams

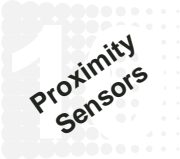


Approximate dimensions



Wiring diagrams





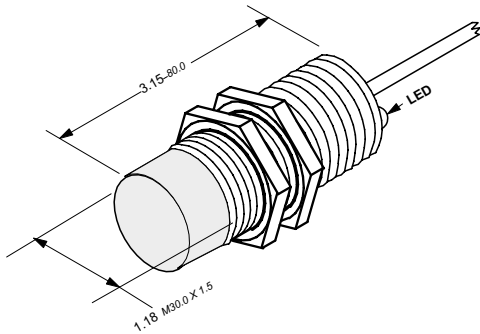
Capacitive 3 Wire AC Sensing range: 10mm

Operating distance		10mm
Catalog number		SCF10M30NV2AO
List price		\$ 265.00
Sensor mounting		Shielded
Output		
Suffix PO		—
Suffix NO		—
Suffix AO		Normally Open
Operating voltage	VAC	20 – 250
Load current	mA	200
Switching frequency	Hz	15
No load supply current	mA	1.7 mA
Voltage drop	VAC	7
Short circuit protection		no
Reverse polarity protection		no
Output indication		LED yellow
Operating temperature	°F	-13 ... +158
Protection		
IEC		IP65
Approvals		
CE		yes
UL Listed		yes
CSA		yes
Wire size		18 AWG/0.75mm ²
Housing material		Stainless steel
Housing diameter	mm	30
Sensing face		Crastin
Connection		2 m, PVC cable



10

Approximate dimensions



Wiring diagrams

