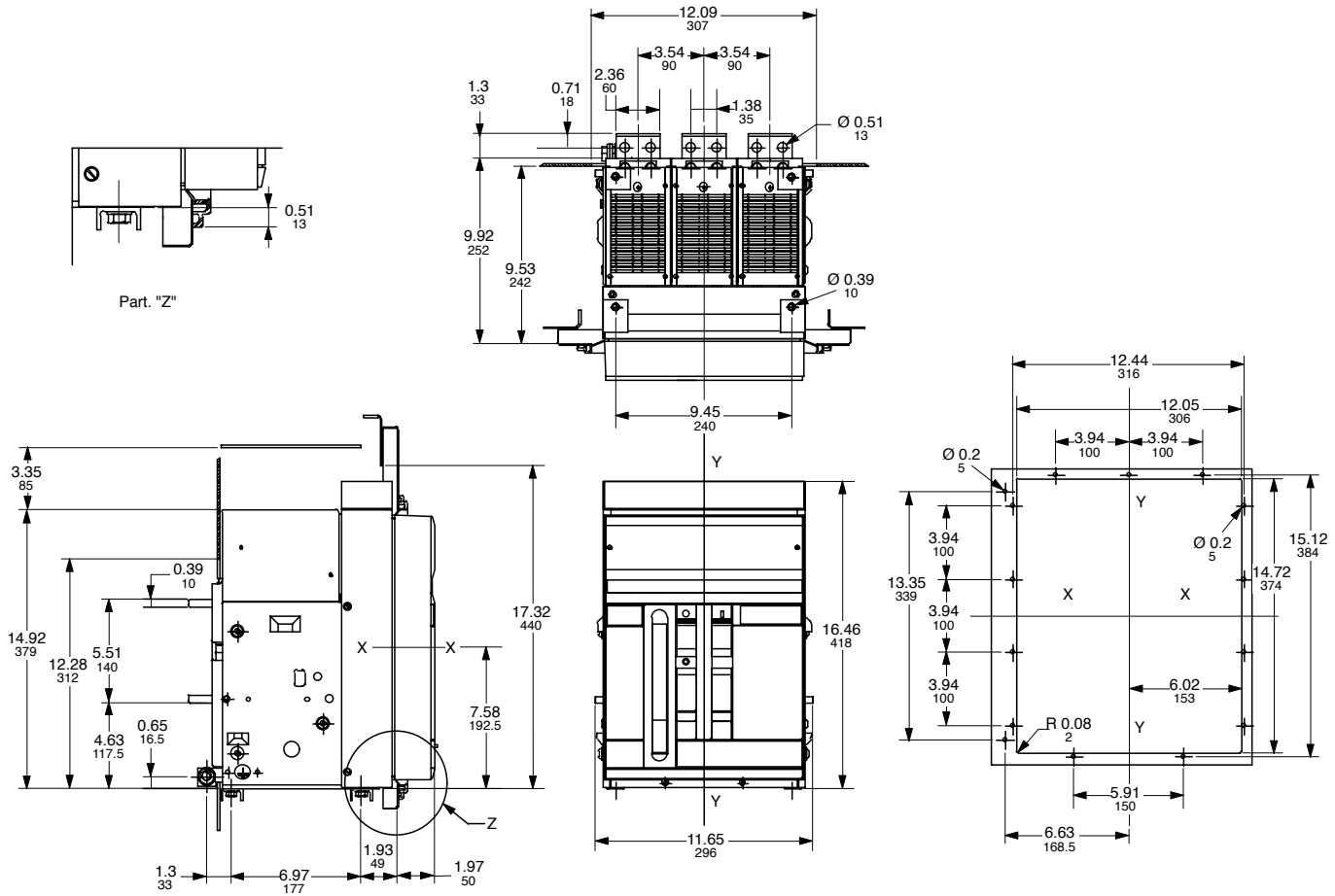
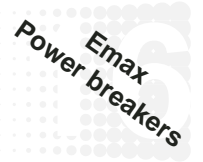


**Approximate dimensions (for UL version)**  
**E1, fixed with horizontal rear terminals**  
**3 pole**

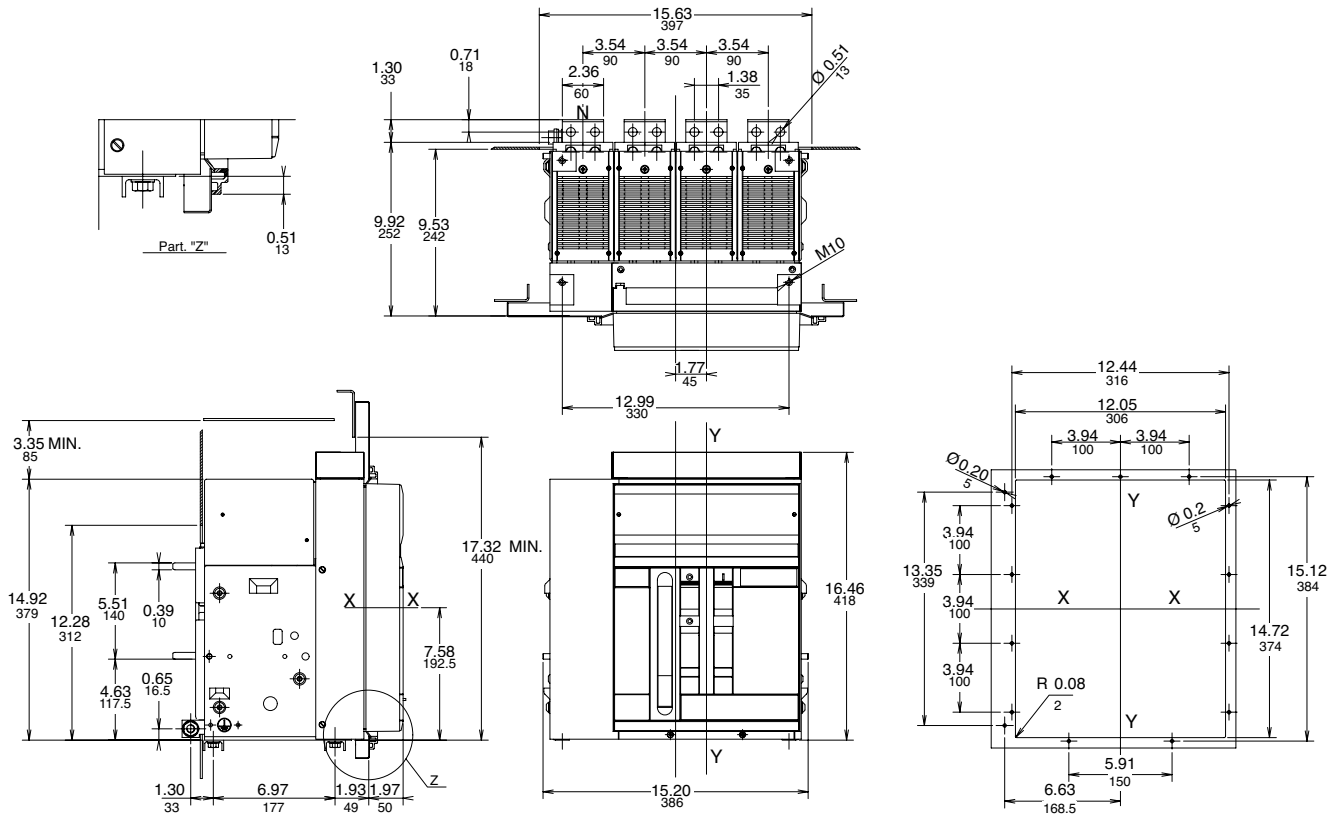
← 00.00 → Inches  
00.00 [Millimeters]



**Approximate dimensions (for UL version)**  
**E1, fixed with horizontal rear terminals**  
**4 pole**

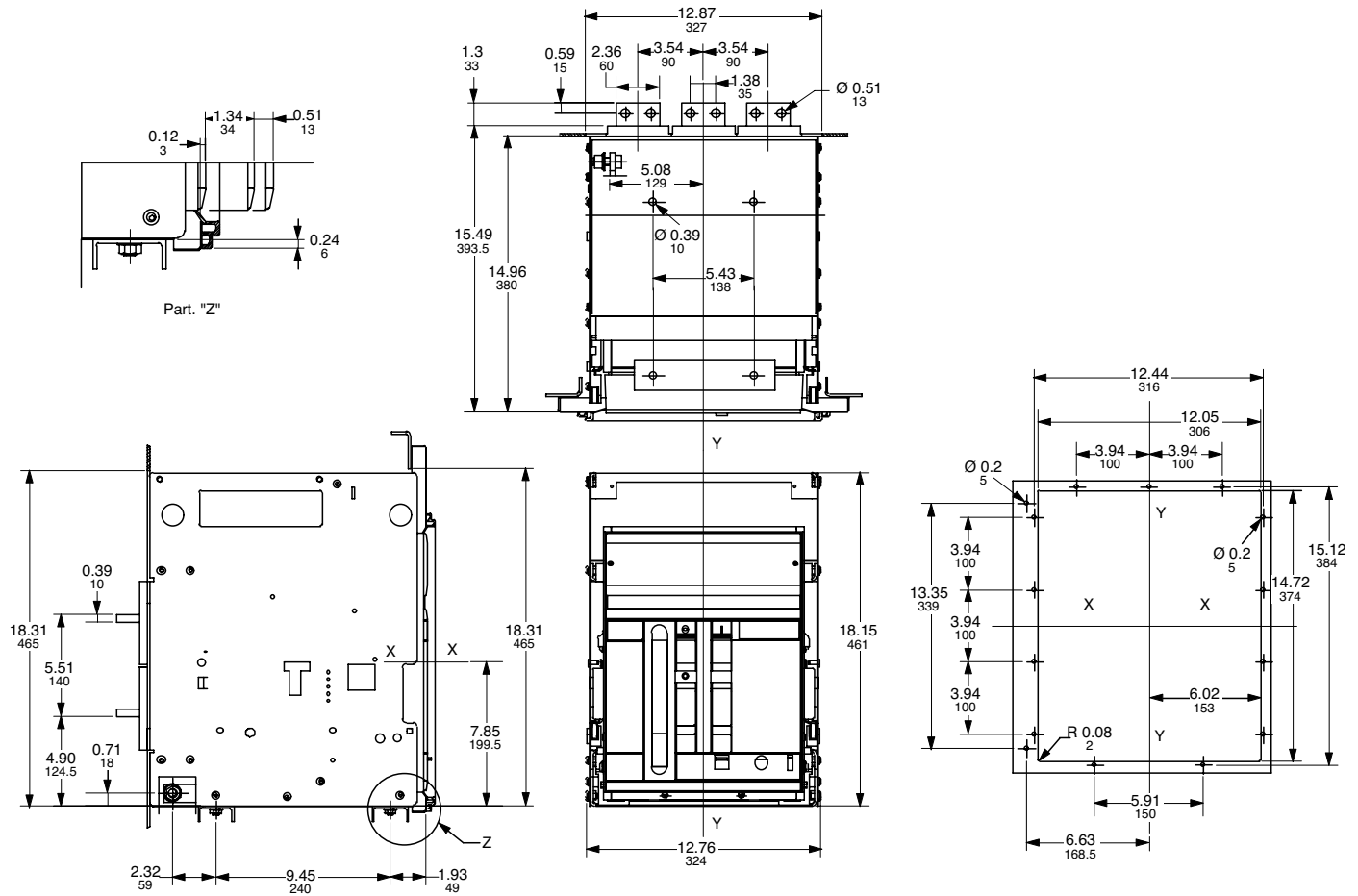


00.00 Inches  
 00.00 [Millimeters]

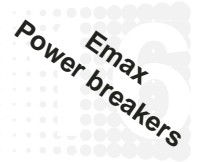


**Approximate dimensions (for UL version)**  
**E1, withdrawable with horizontal rear terminals**  
**3 pole**

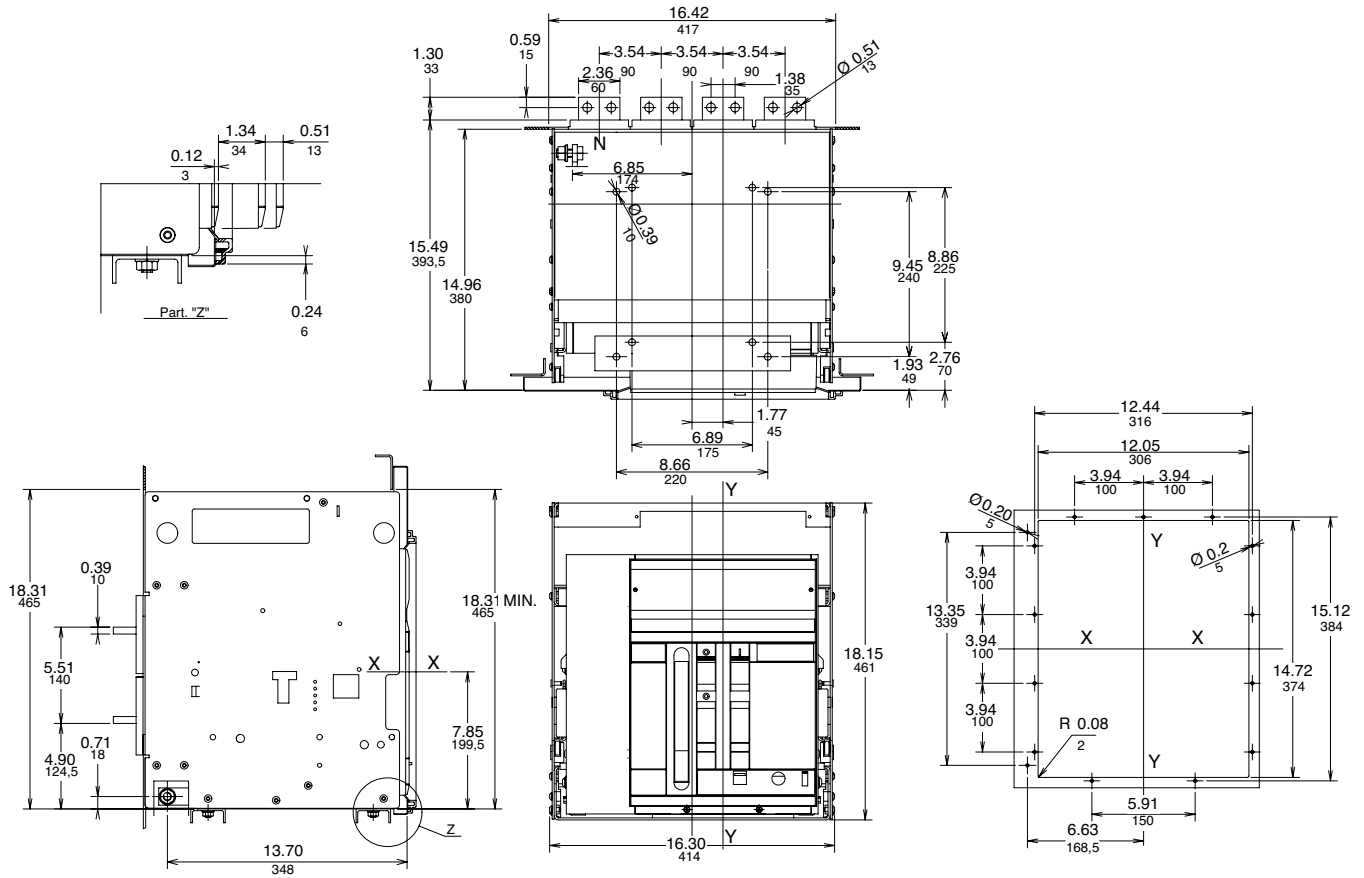
← 00.00 — Inches —→  
 00.00 — [Millimeters] —→



**Approximate dimensions (for UL version)  
E1, withdrawable with horizontal rear terminals  
4 pole**

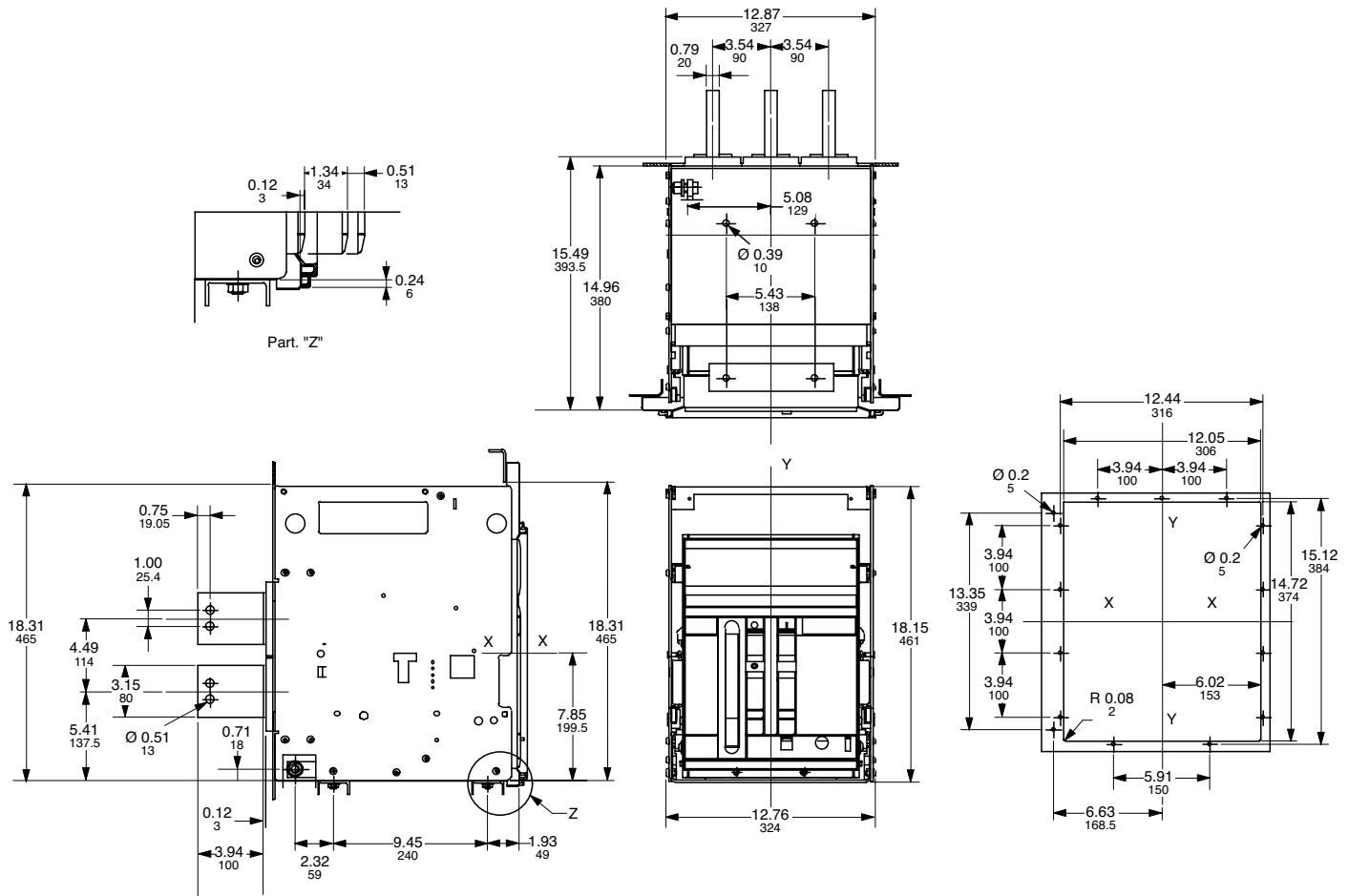


00.00 Inches  
00.00 [Millimeters]

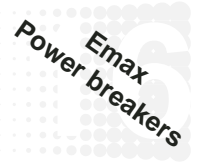


**Approximate dimensions (for UL version)**  
**E1 - E2, withdrawable with vertical rear terminals**  
**3 pole**

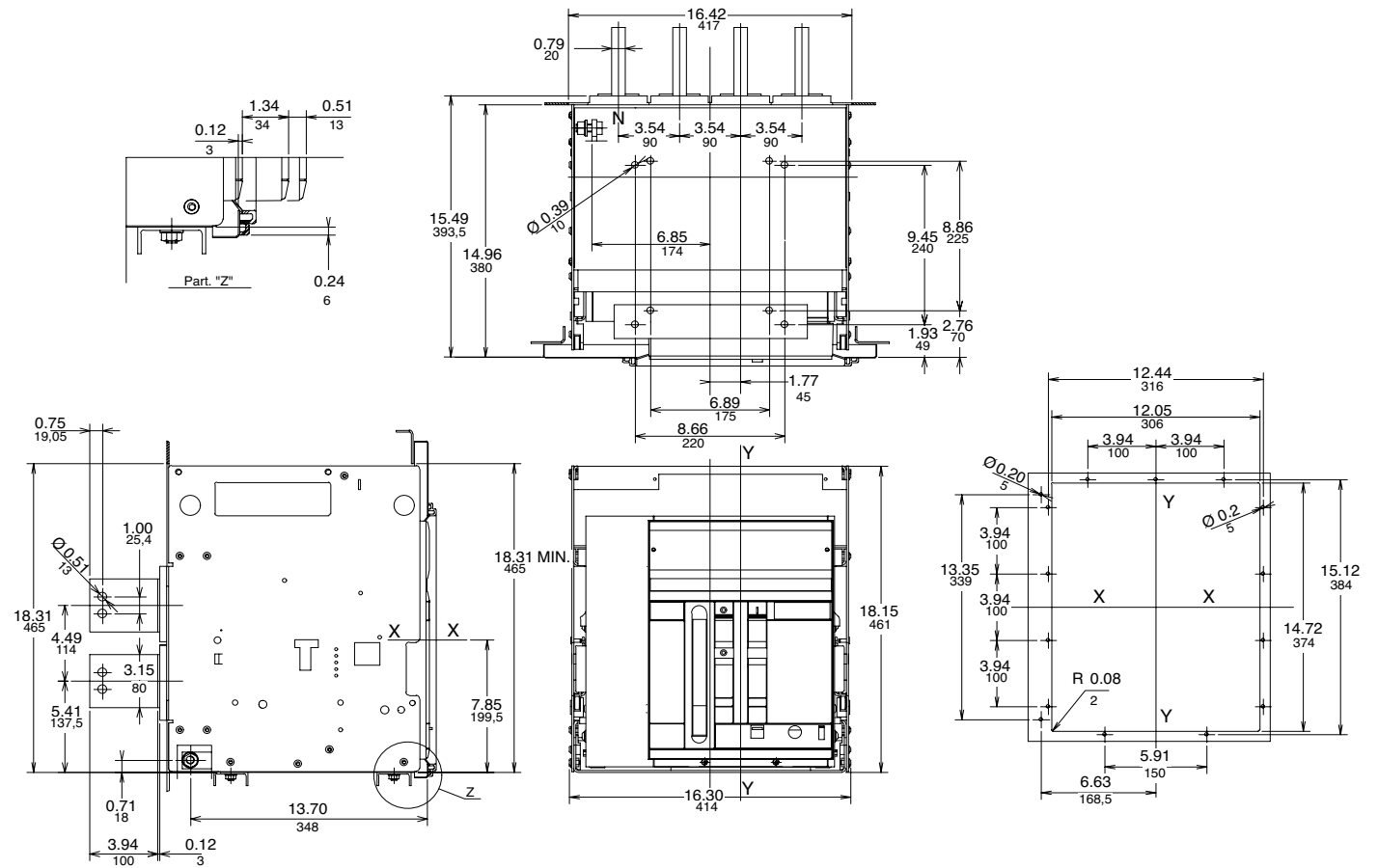
← 00.00 Inches  
 00.00 [Millimeters] →



**Approximate dimensions (for UL version)**  
**E1 - E2, withdrawable with vertical rear terminals**  
**4 pole**

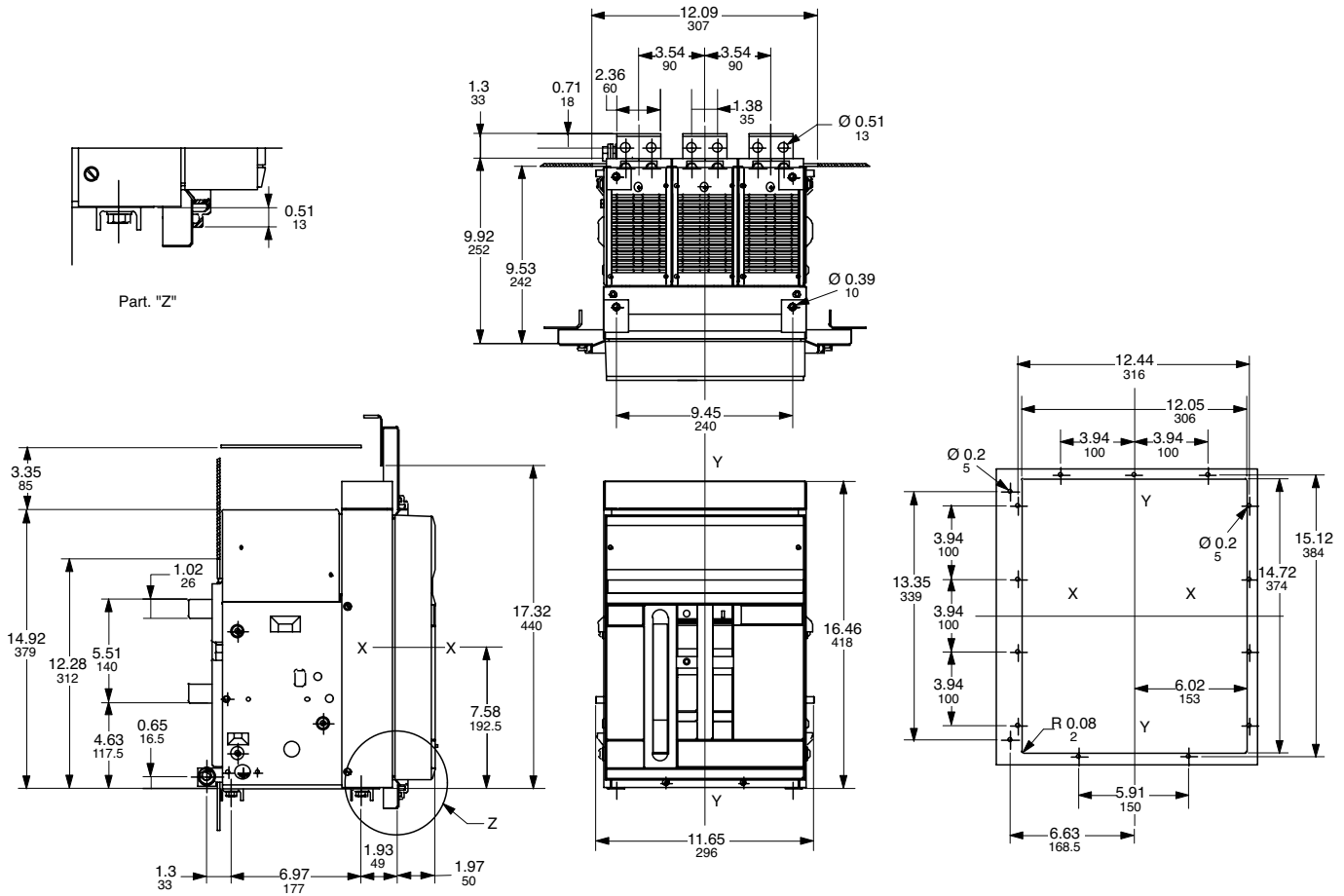


00.00 Inches  
 00.00 [Millimeters]

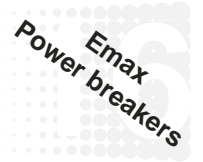


**Approximate dimensions (for UL version)**  
E2, fixed with horizontal rear terminals  
3 pole

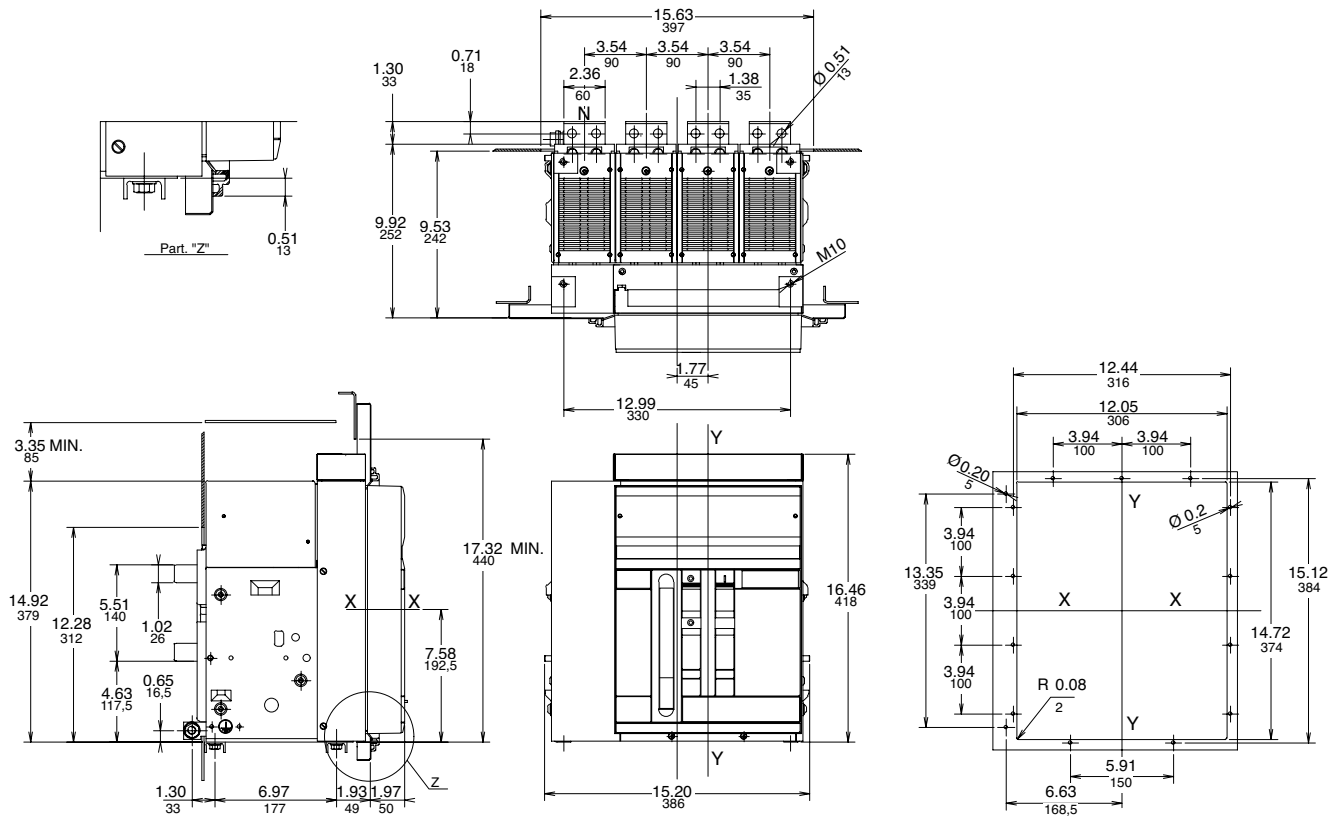
00.00 Inches  
00.00 [Millimeters]



**Approximate dimensions (for UL version)  
E2, fixed with horizontal rear terminals  
4 pole**



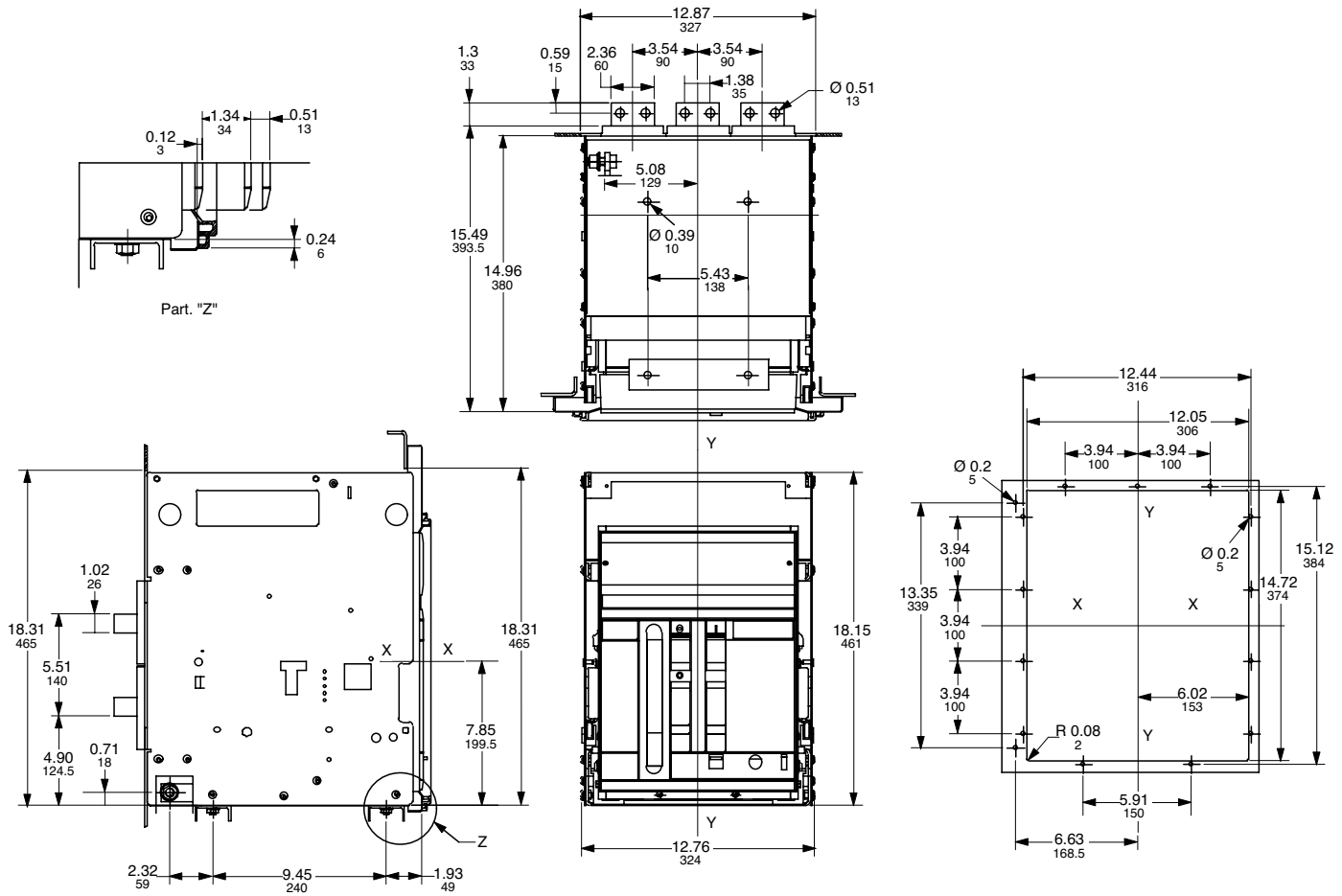
← 00.00 Inches  
00.00 [Millimeters] →





**Approximate dimensions (for UL version)**  
**E2, withdrawable with horizontal rear terminals**  
**3 pole**

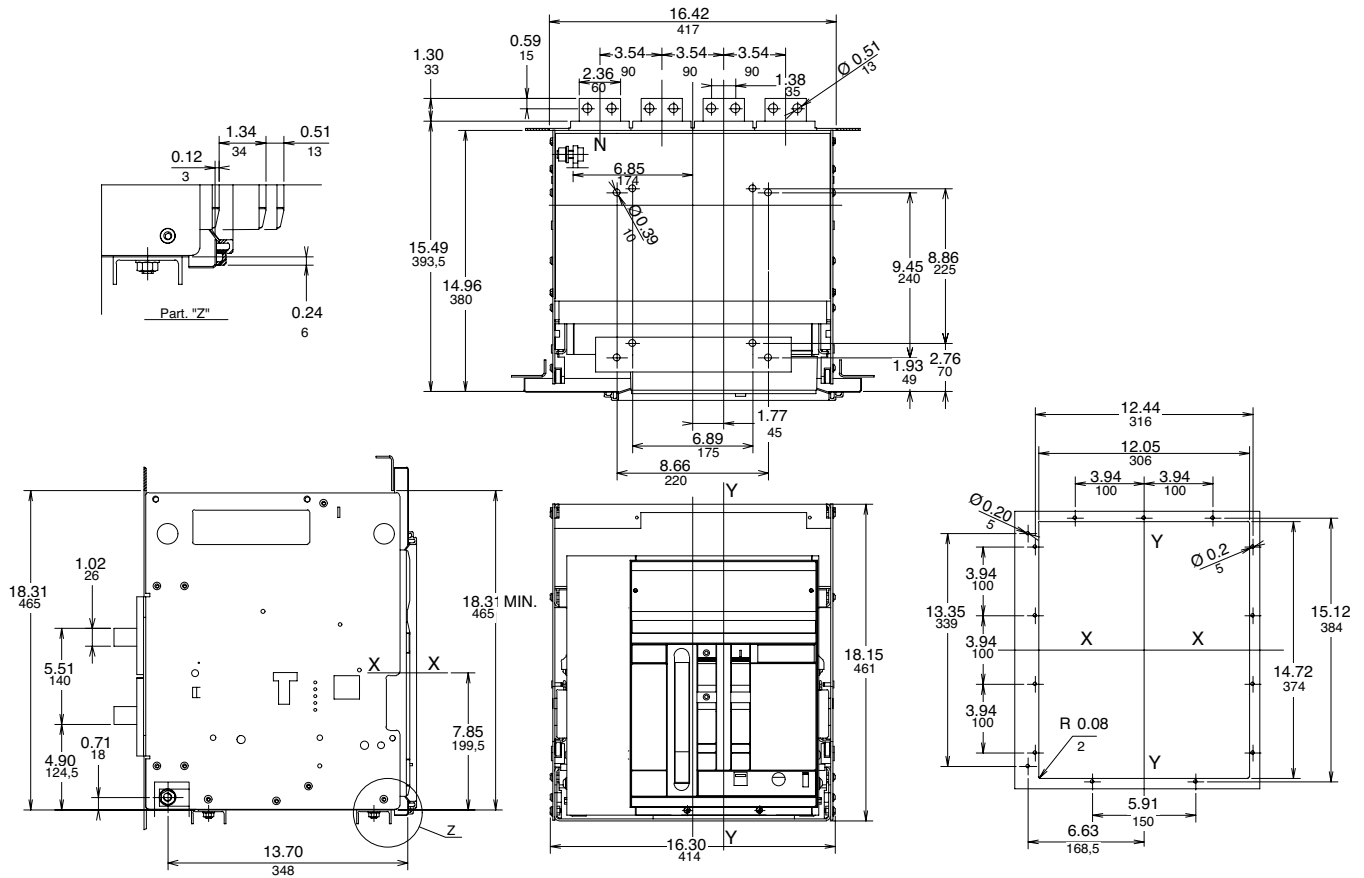
00.00 Inches  
00.00 [Millimeters]



**Approximate dimensions (for UL version)  
E2, withdrawable with horizontal rear terminals  
4 pole**

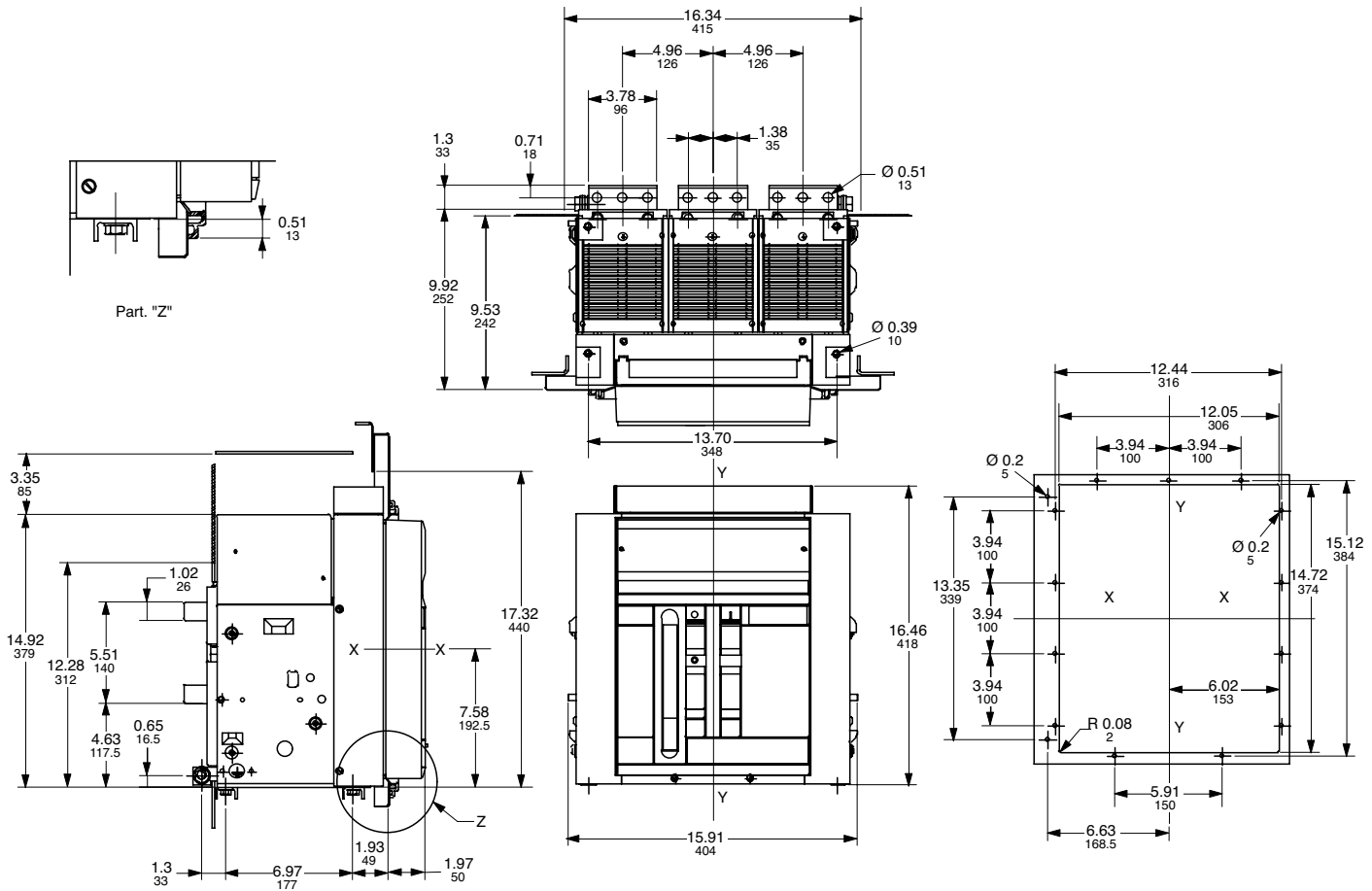


00.00 Inches  
00.00 [Millimeters]

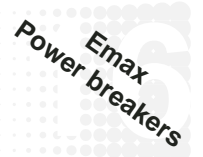


**Approximate dimensions (for UL version)**  
**E3, fixed with horizontal rear terminals**  
**3 pole**

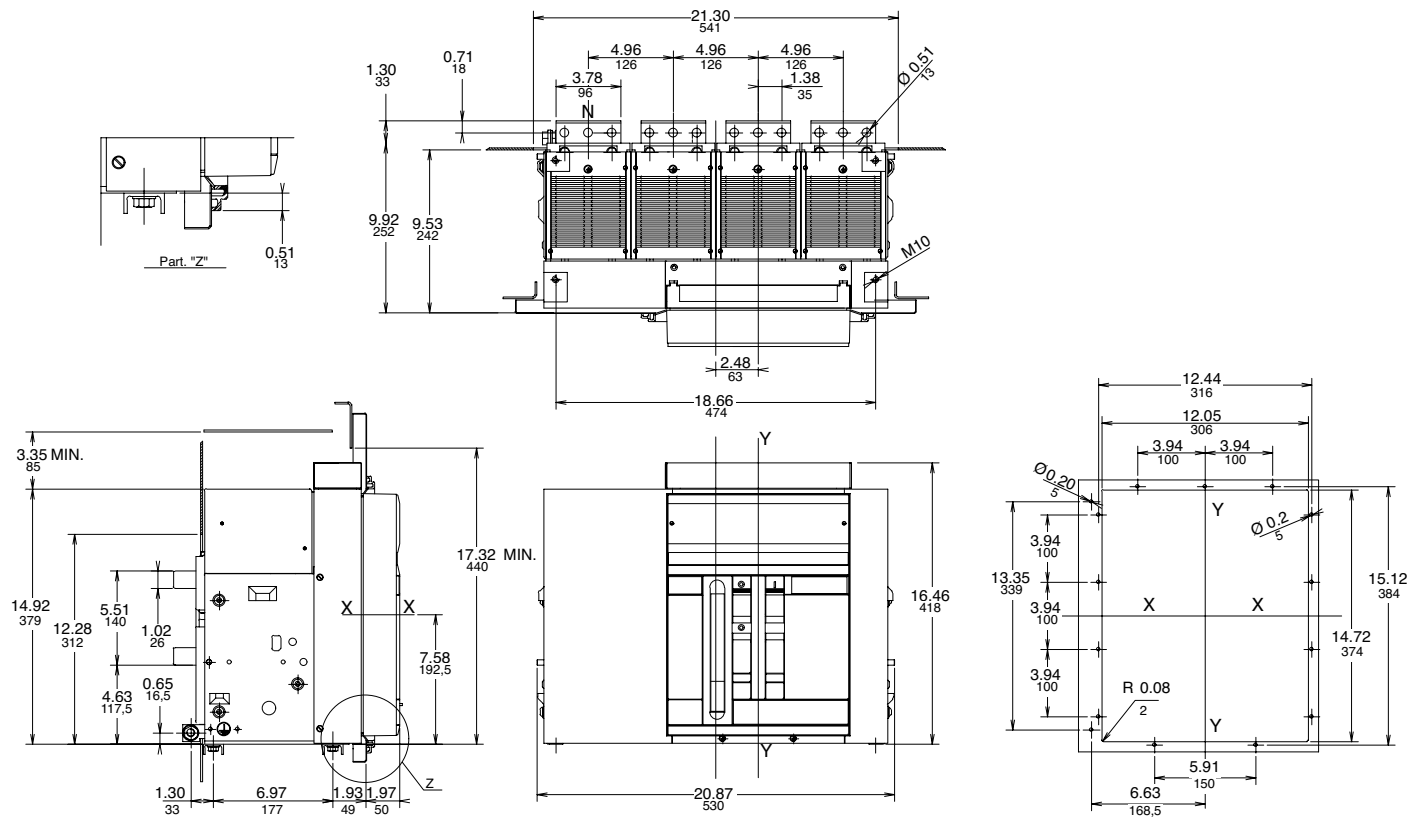
← 00.00 → Inches  
00.00 [Millimeters]



**Approximate dimensions (for UL version)**  
**E3, fixed with horizontal rear terminals**  
**4 pole**

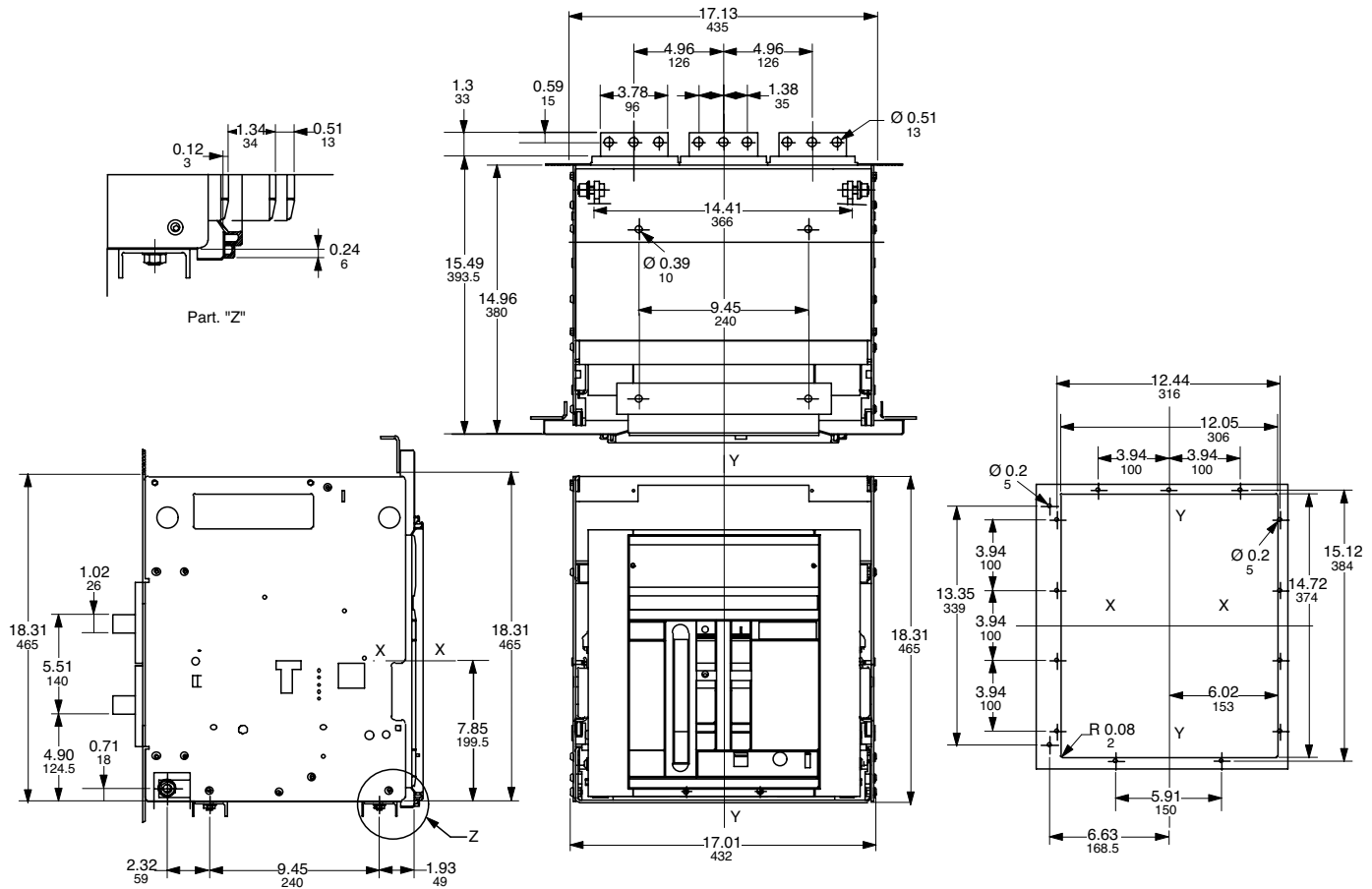


← 00.00 → Inches  
 00.00 [Millimeters]



**Approximate dimensions (for UL version)**  
**E3, withdrawable with horizontal rear terminals**  
**3 pole**

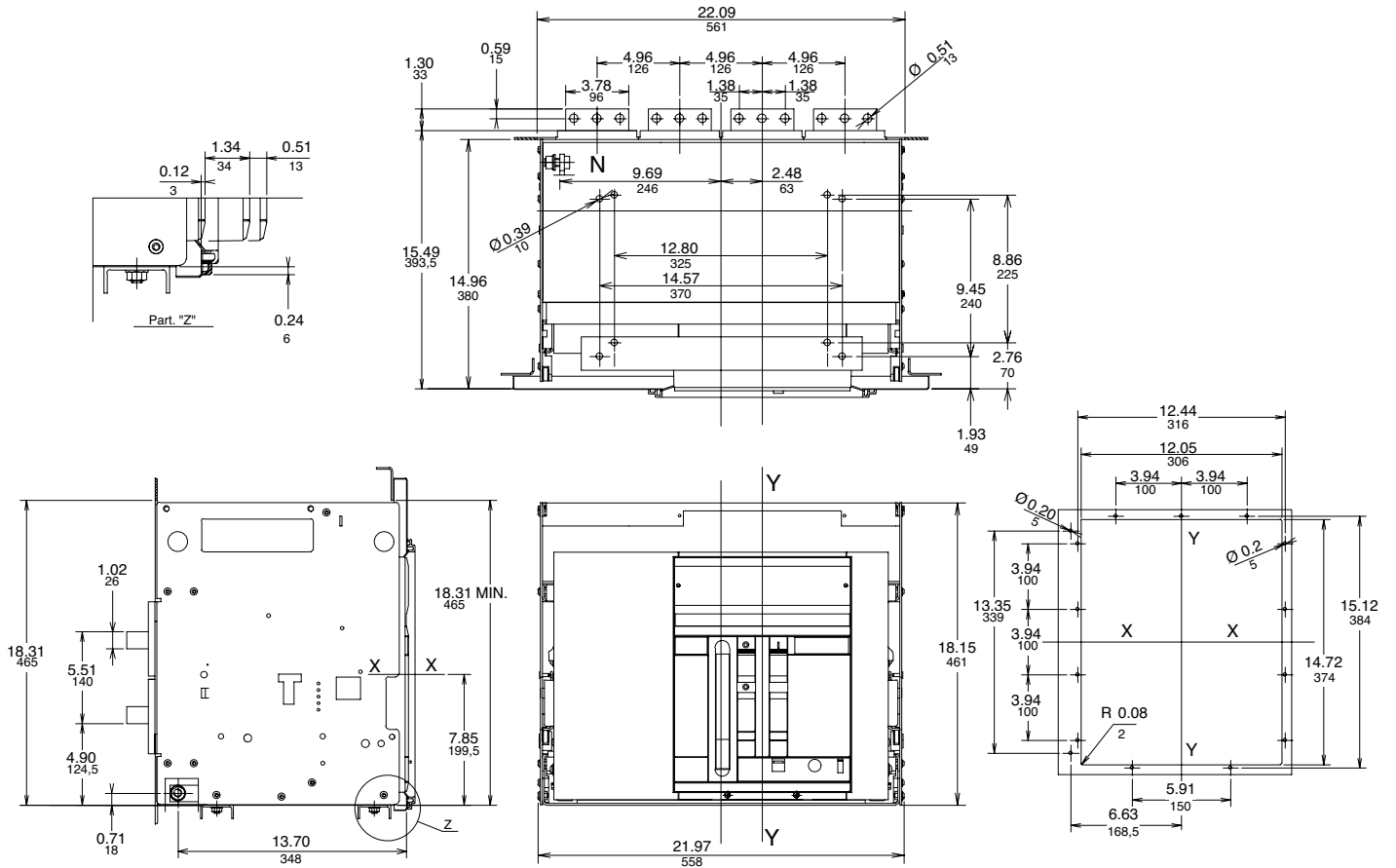
00.00 Inches  
00.00 [Millimeters]



**Approximate dimensions (for UL version)  
E3, withdrawable with horizontal rear terminals  
4 pole**

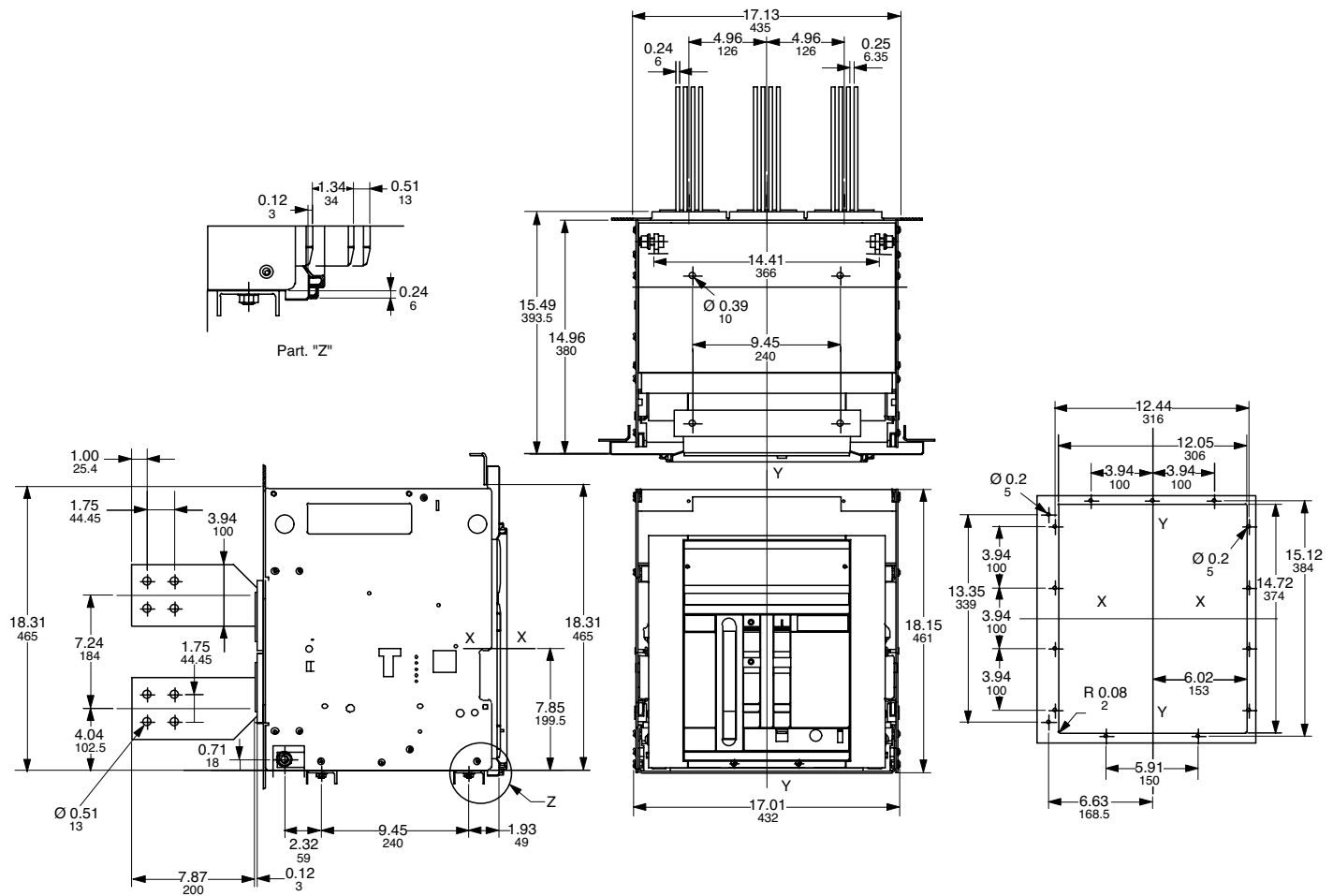


← 00.00 Inches  
00.00 [Millimeters] →



**Approximate dimensions (for UL version)**  
**E3 (2500A), withdrawable with vertical rear terminals**  
**3 pole**

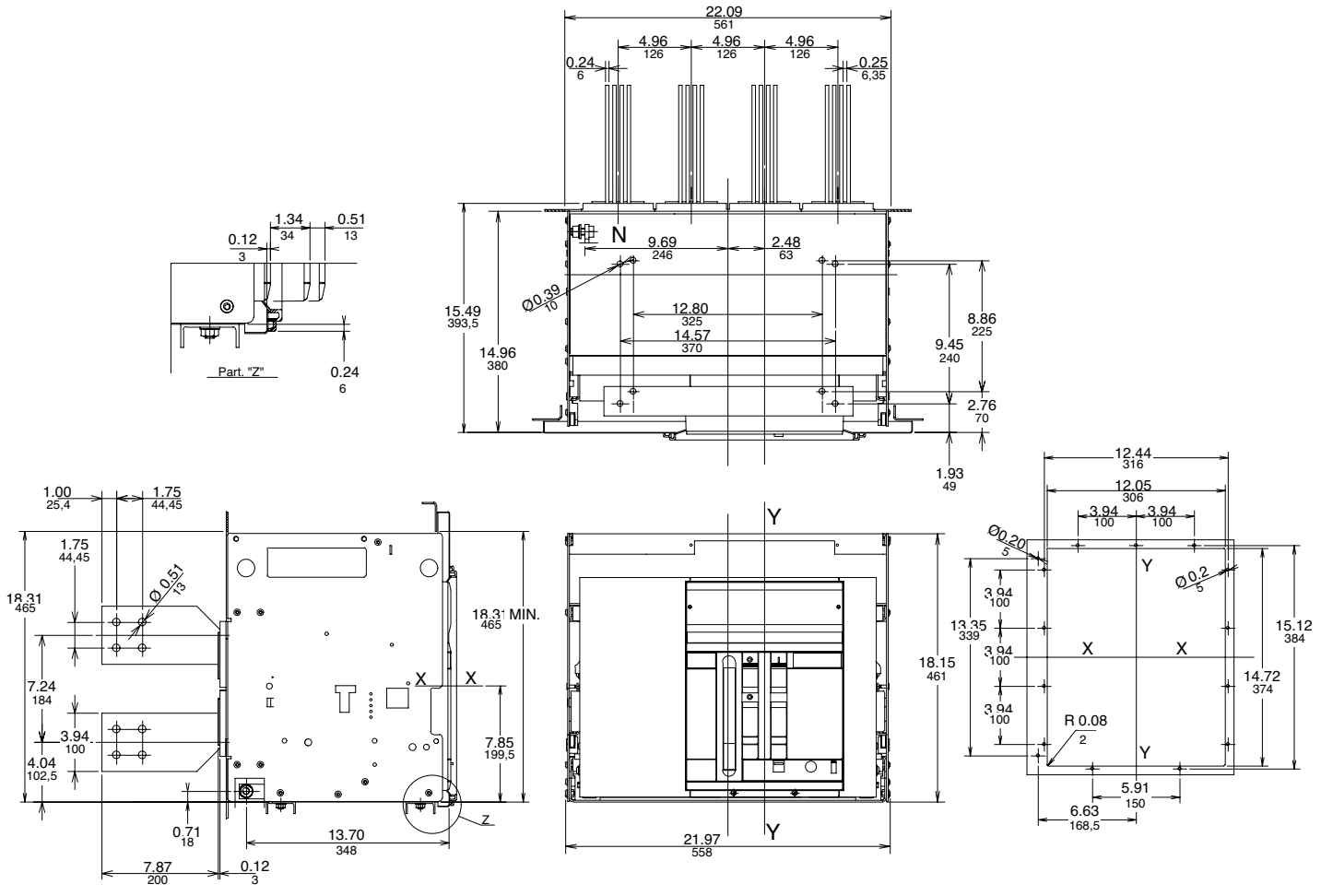
← 00.00 → Inches  
00.00 [Millimeters]



**Approximate dimensions (for UL version)**  
**E3 (2500A), withdrawable with vertical rear terminals**  
**4 pole**



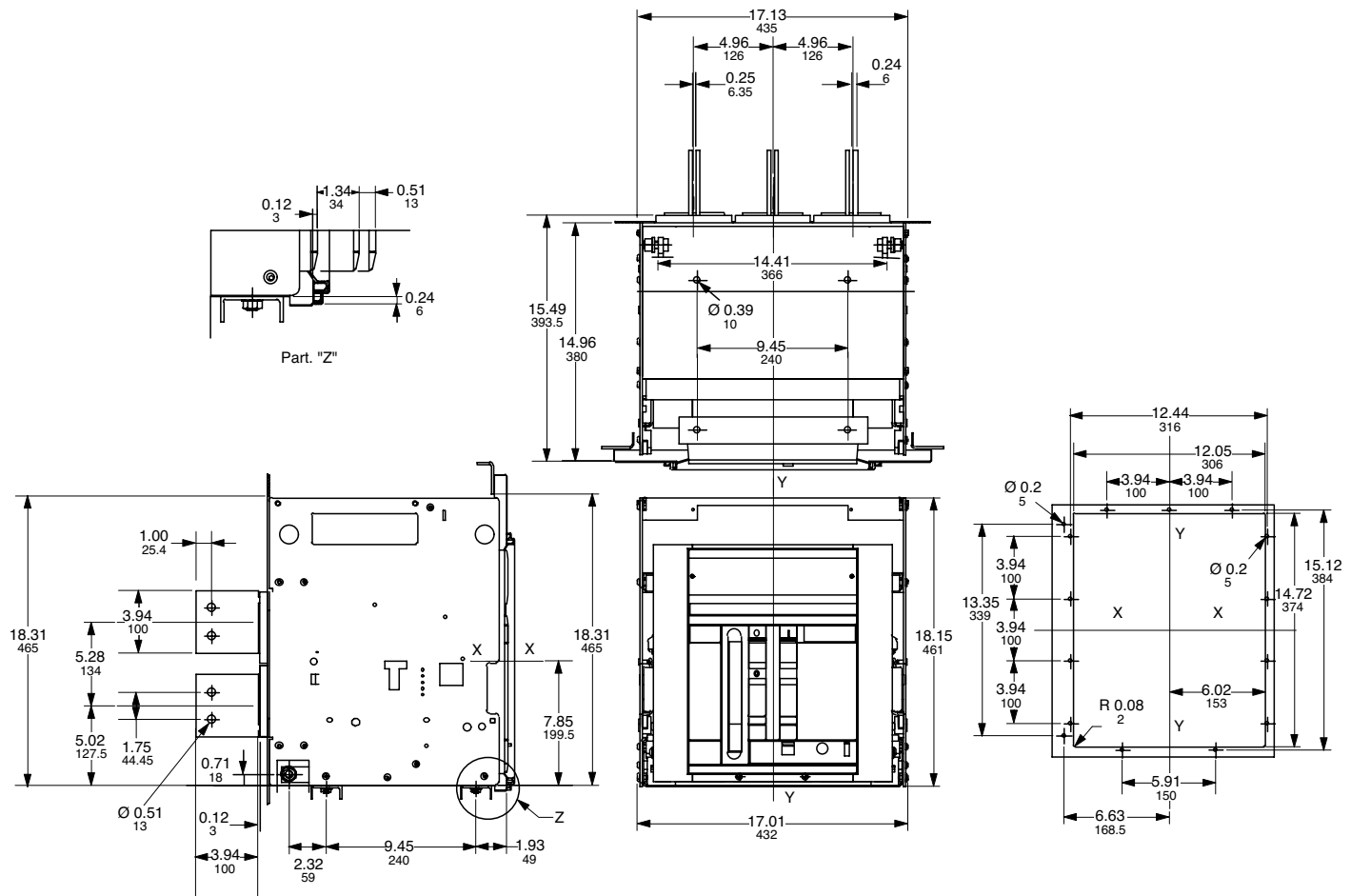
00.00 Inches  
 00.00 [Millimeters]





**Approximate dimensions (for UL version)**  
E3 (1200A/1600A/2000A), withdrawable with  
Vertical rear terminals, 3 pole

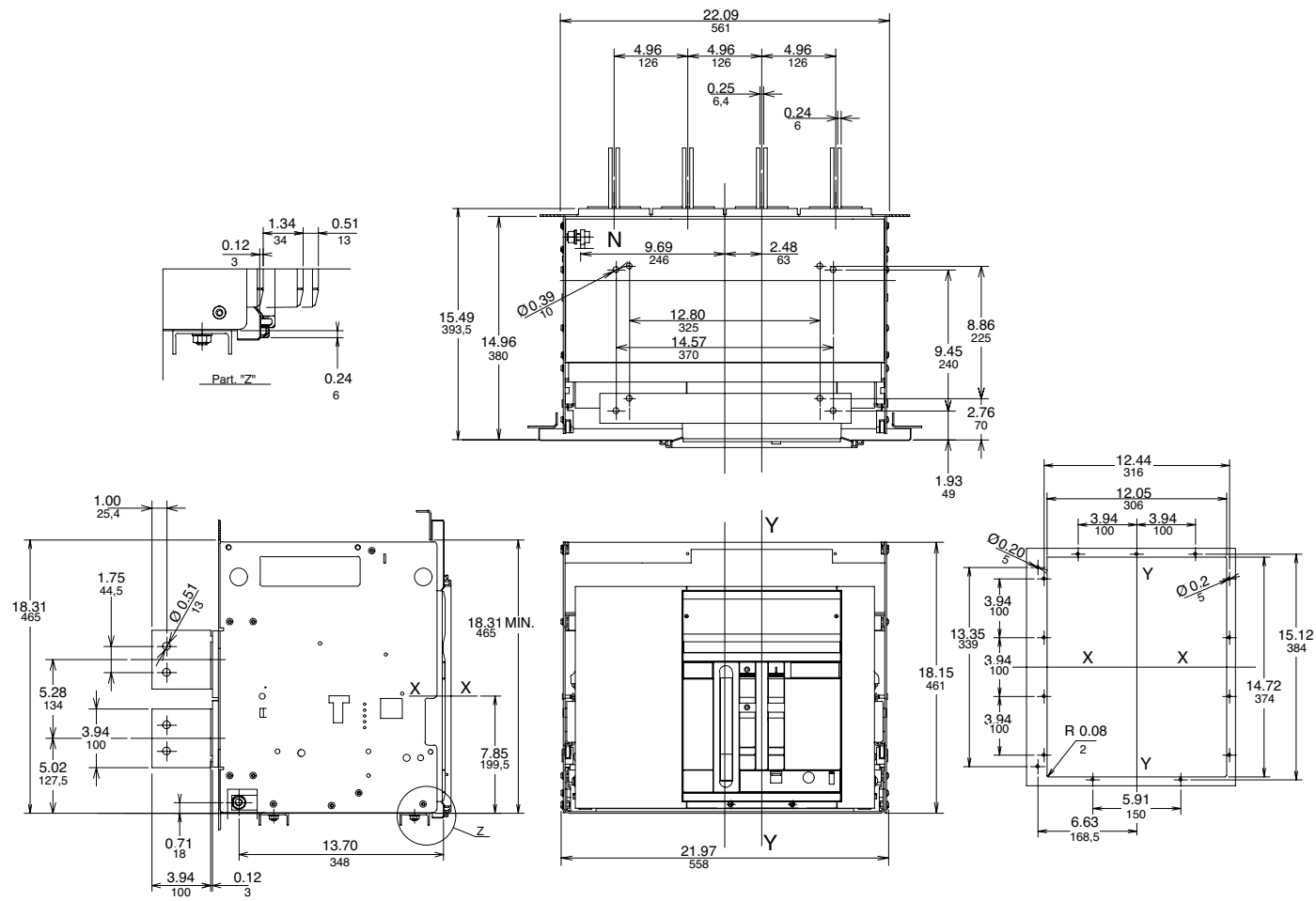
← 00.00 → Inches  
00.00 [Millimeters]



**Approximate dimensions (for UL version)  
E3 (1200A/1600A/2000A), withdrawable with  
Vertical rear terminals, 4 pole**

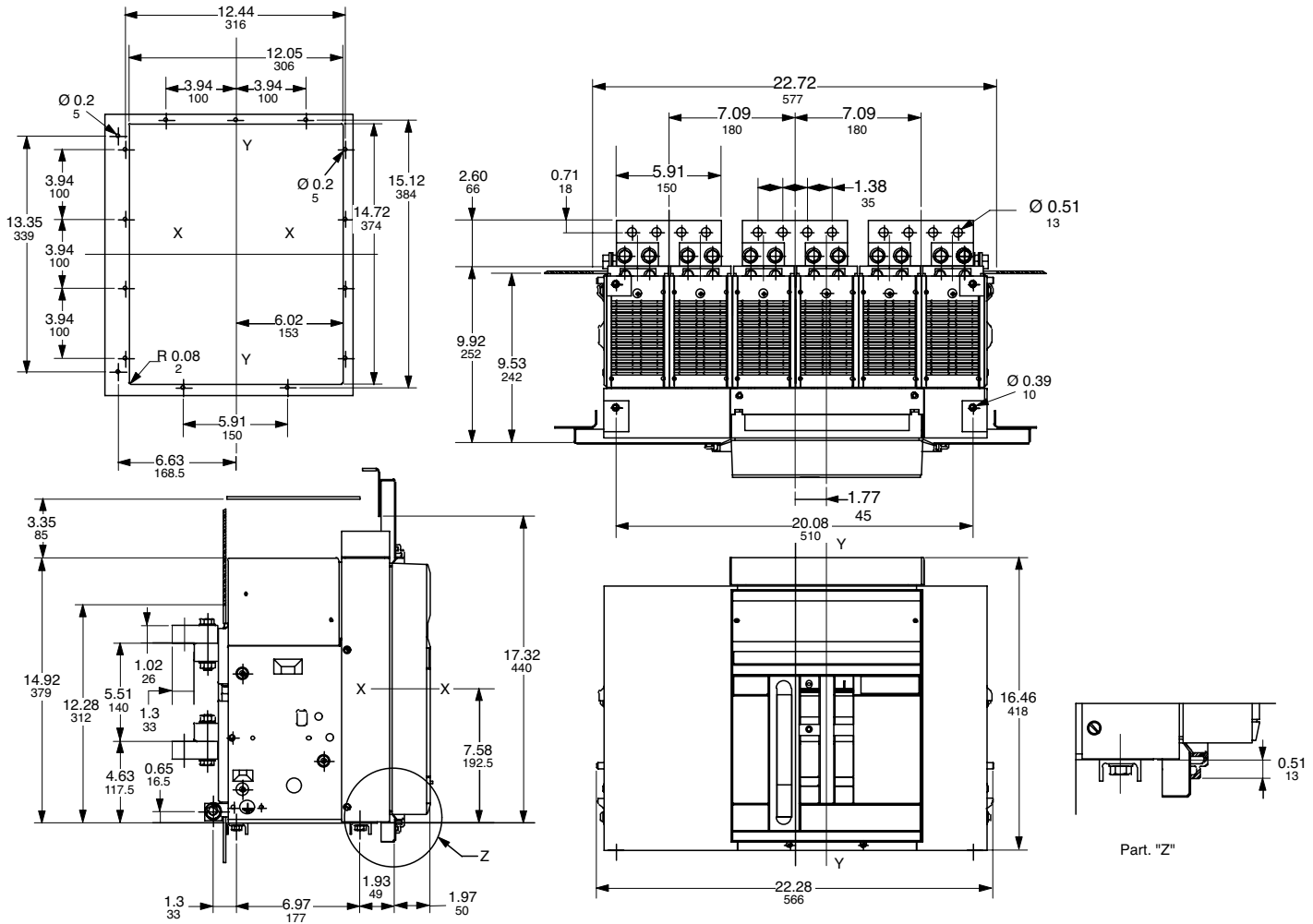


00.00 Inches  
00.00 [Millimeters]



**Approximate dimensions (for UL version)**  
**E4, fixed with horizontal rear terminals**  
**3 pole**

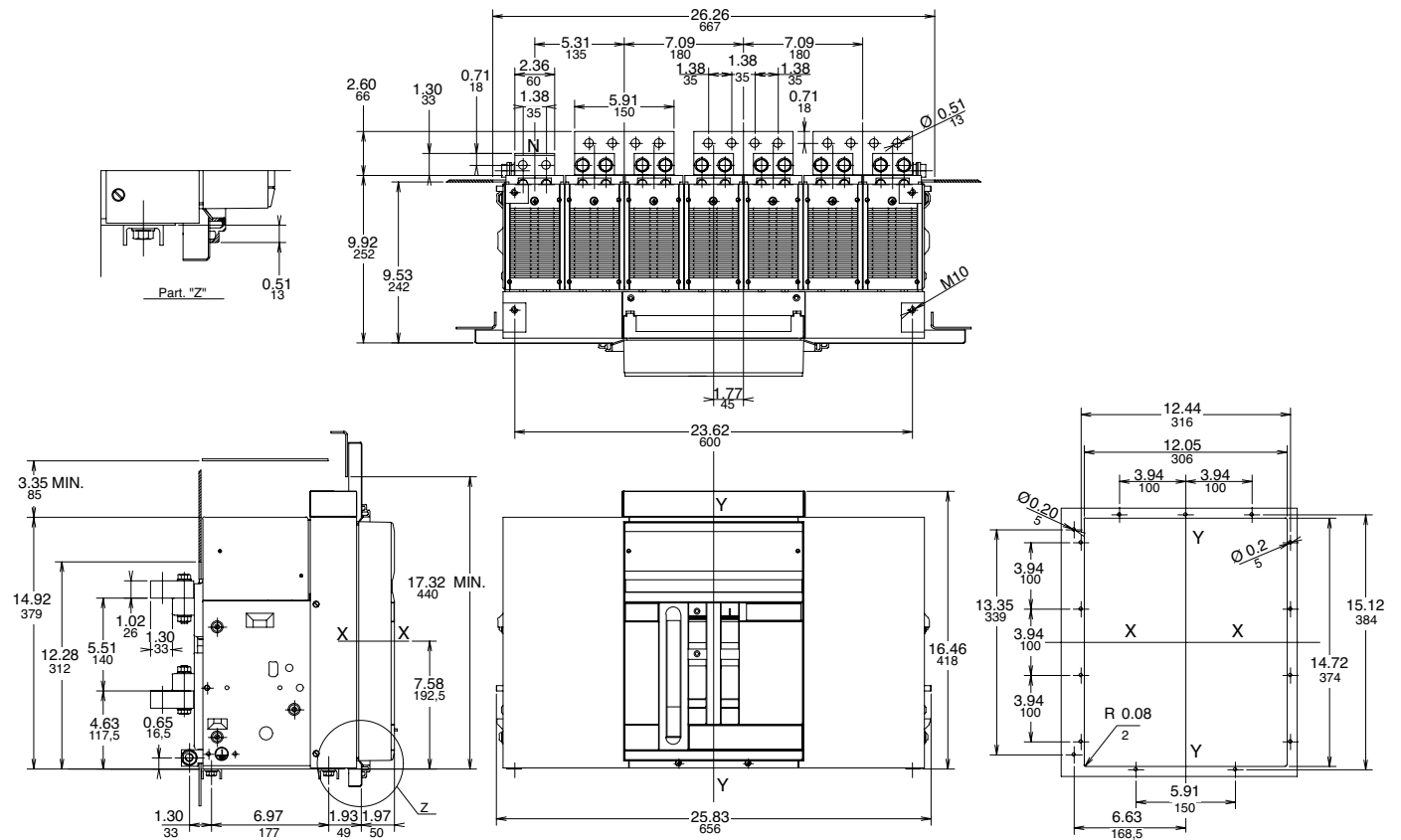
00.00 Inches  
00.00 [Millimeters]



**Approximate dimensions (for UL version)**  
**E4, fixed with horizontal rear terminals**  
**4 pole**

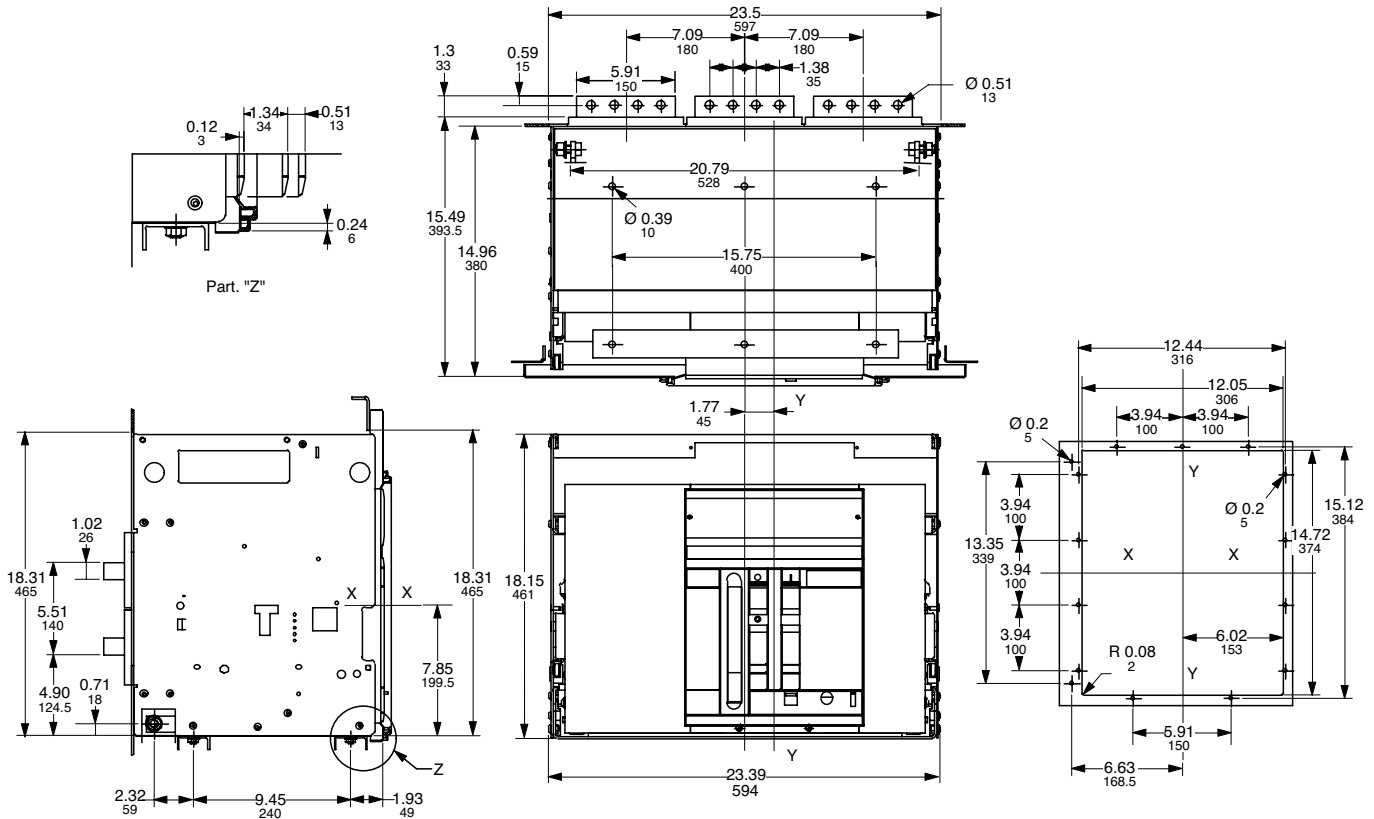


00.00 Inches  
 00.00 [Millimeters]



**Approximate dimensions (for UL version)  
E4, withdrawable with horizontal rear terminals  
3 pole**

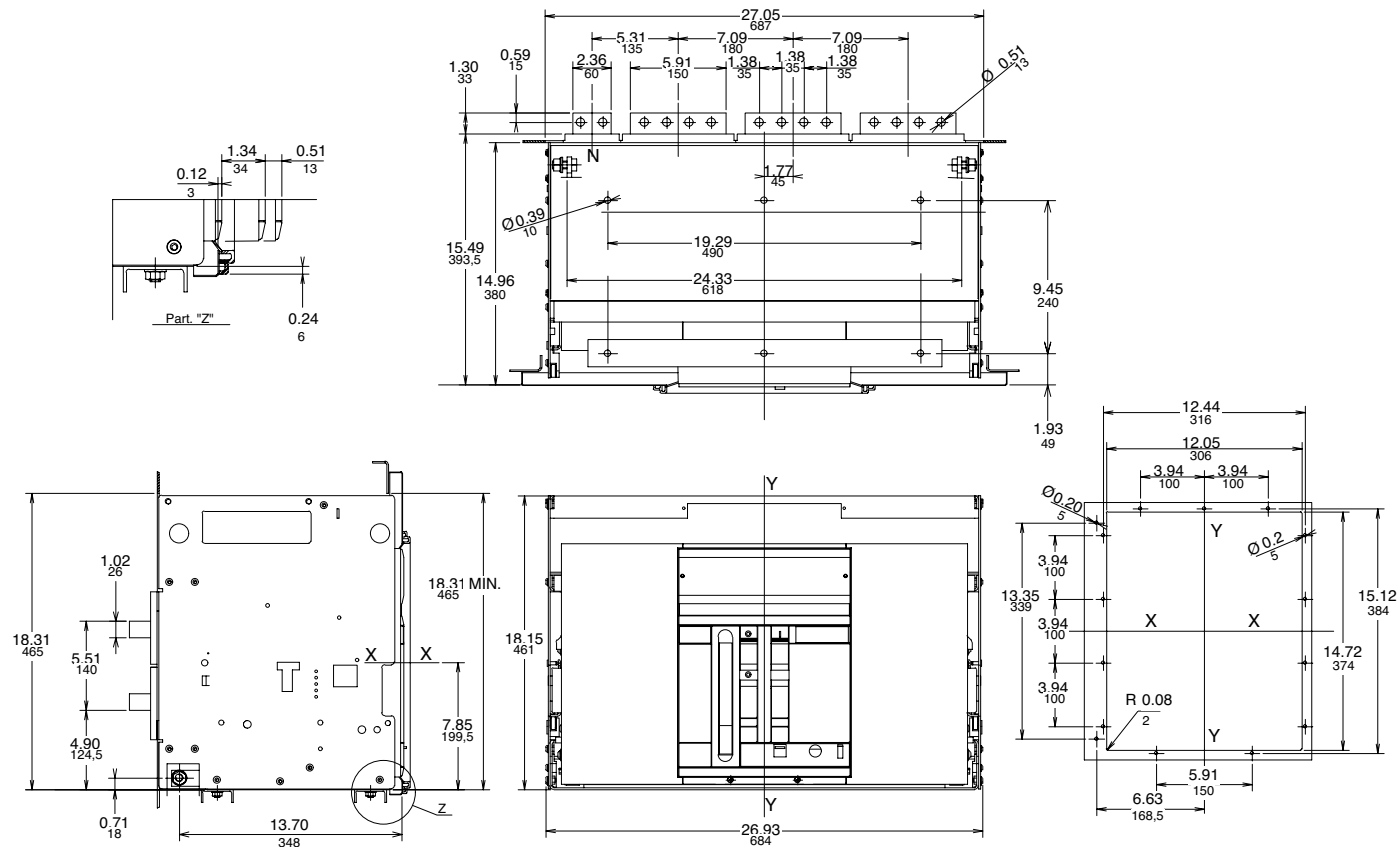
00.00 Inches  
00.00 [Millimeters]



**Approximate dimensions (for UL version)  
E4, withdrawable with horizontal rear terminals  
4 pole**

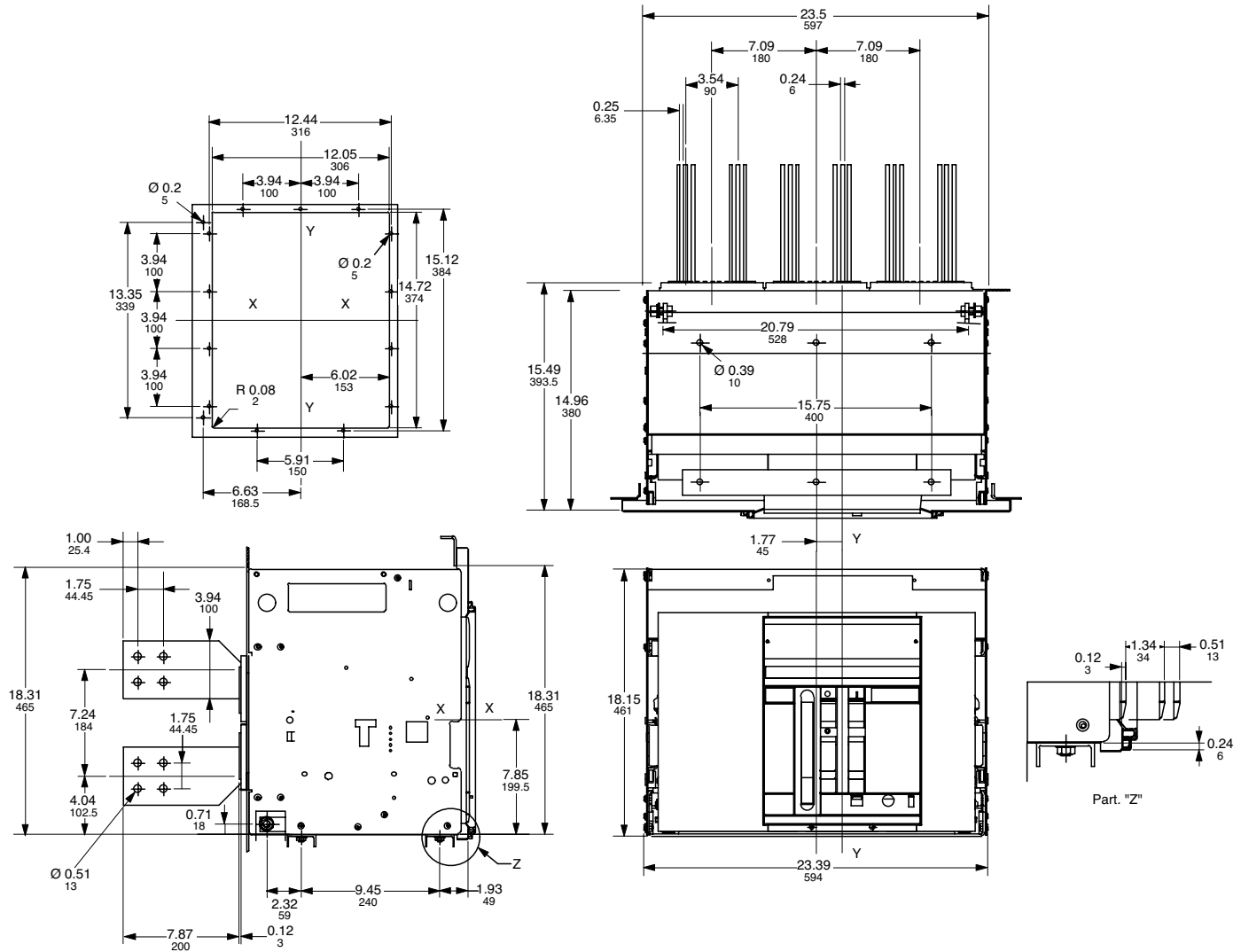


00.00 Inches  
00.00 [Millimeters]

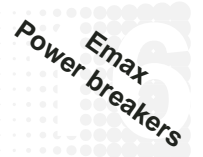


**Approximate dimensions (for UL version)**  
**E4, withdrawable with vertical rear terminals**  
**3 pole**

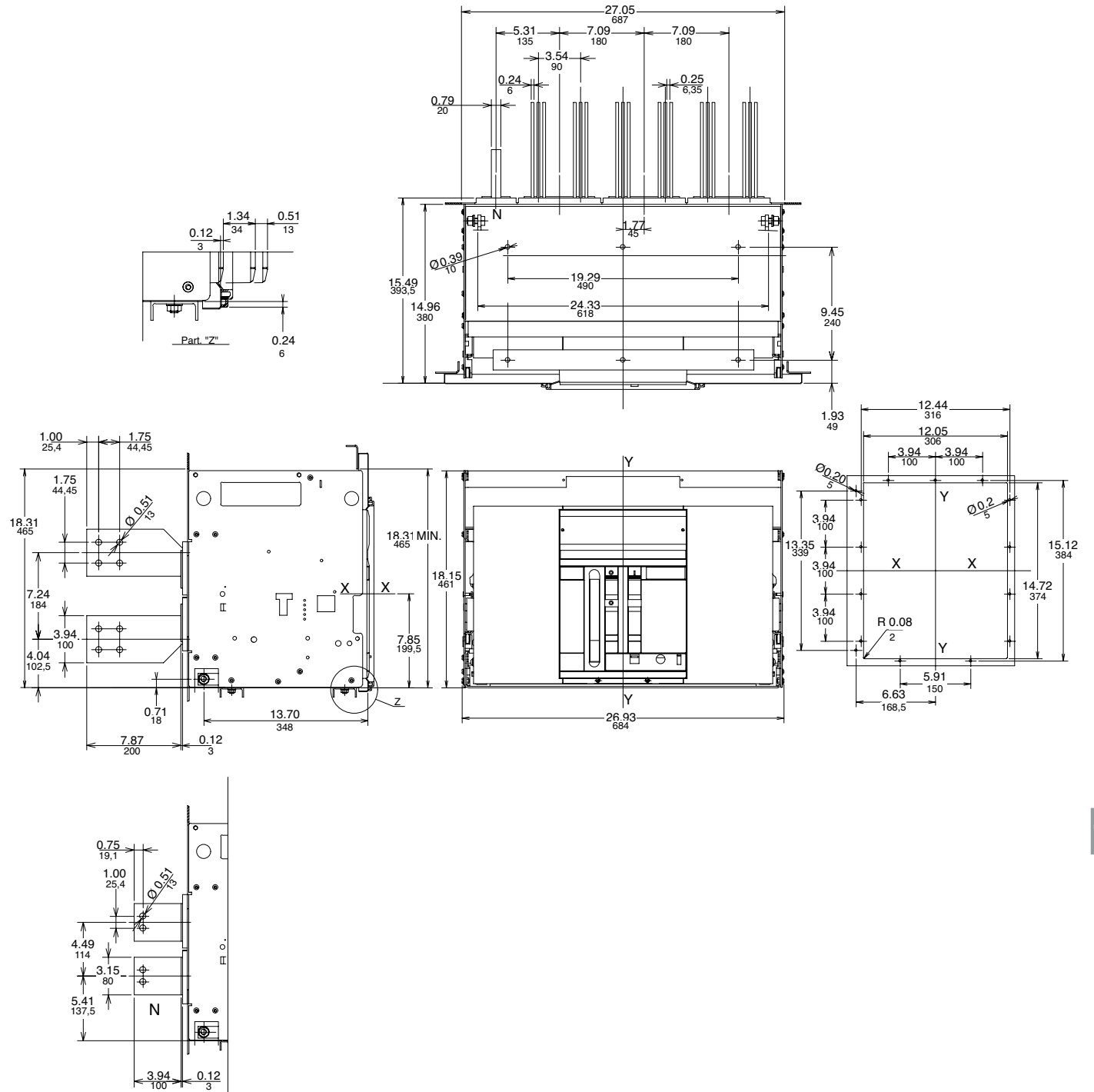
00.00 Inches  
00.00 [Millimeters]



# Approximate dimensions (for UL version) E4, withdrawable with vertical rear terminals 4 pole



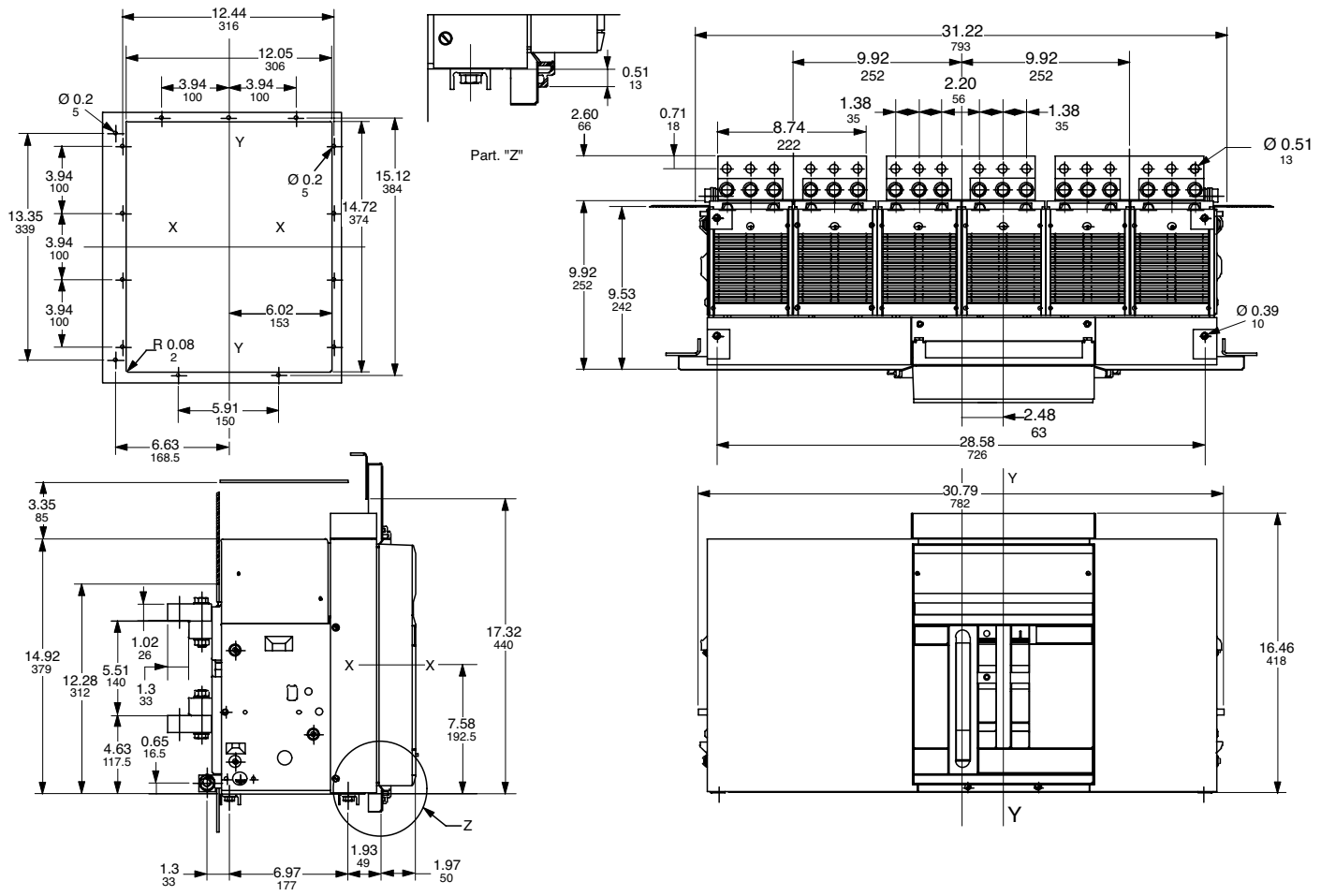
00.00 Inches  
00.00 [Millimeters]



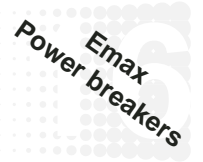


**Approximate dimensions (for UL version)**  
**E6, fixed with horizontal rear terminals**  
**3 pole**

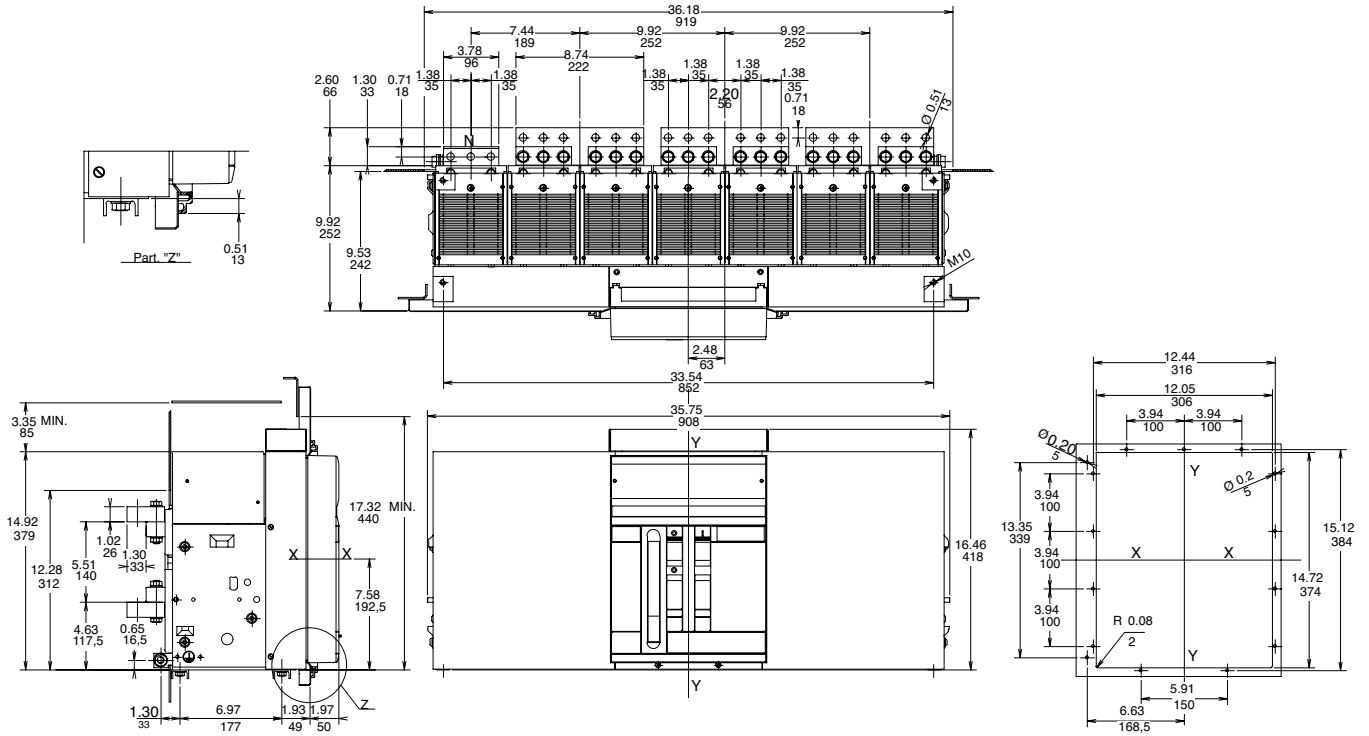
00.00 Inches  
00.00 [Millimeters]



**Approximate dimensions (for UL version)**  
**E6, fixed with horizontal rear terminals**  
**4 pole**

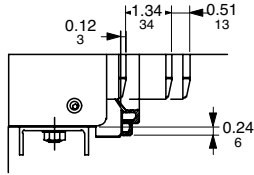


00.00 Inches  
 00.00 [Millimeters]

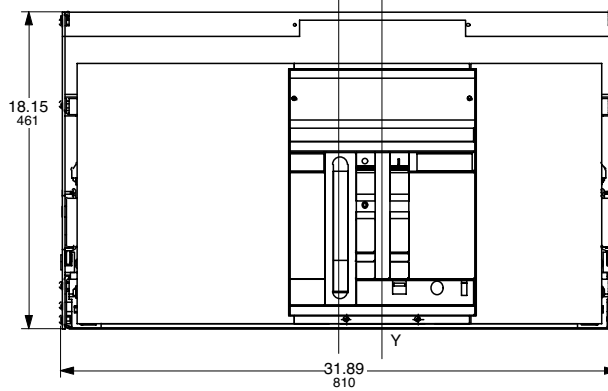
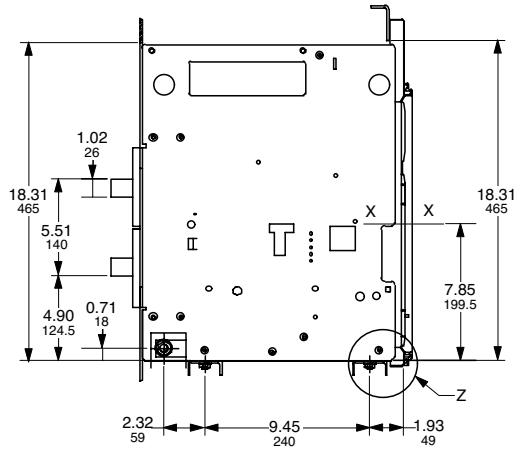
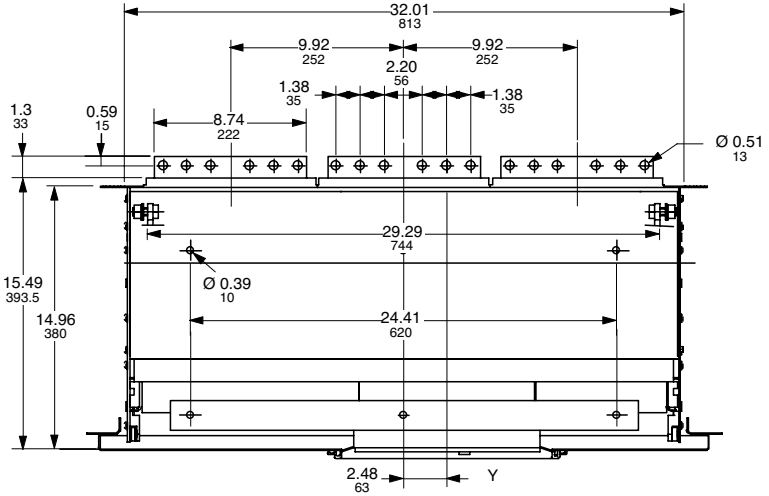
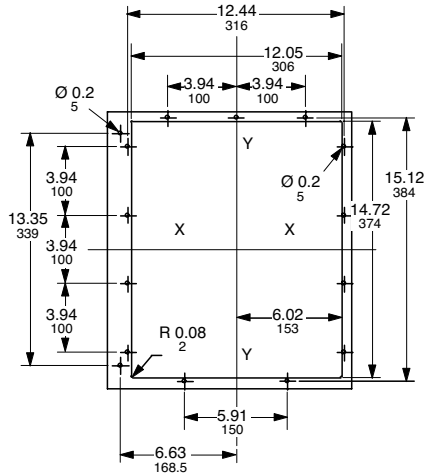


**Approximate dimensions (for UL version)**  
**E6, withdrawable with horizontal rear terminals**  
**3 pole**

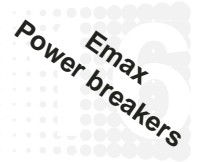
00.00 Inches  
 00.00 [Millimeters]



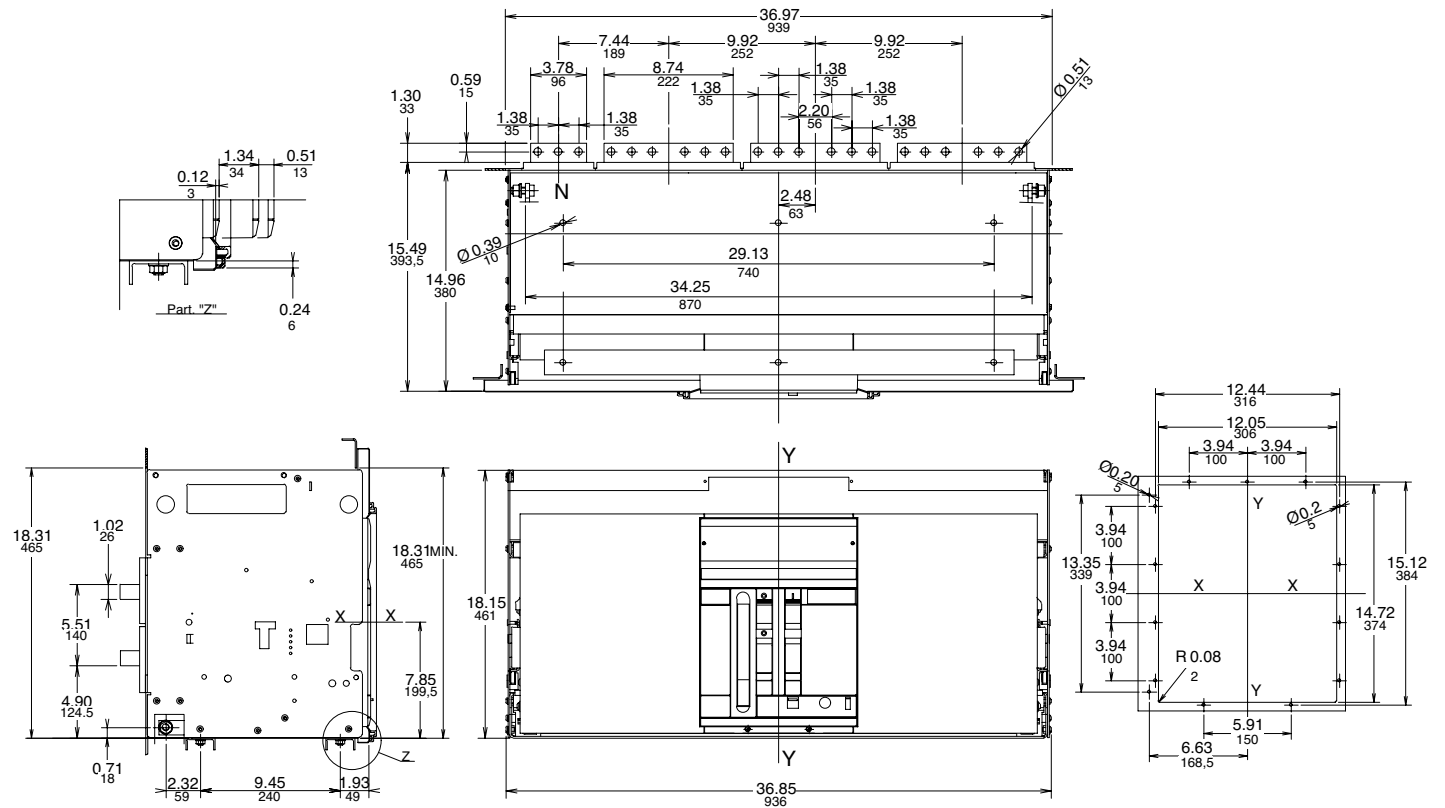
Part. "Z"



**Approximate dimensions (for UL version)  
E6, withdrawable with horizontal rear terminals  
4 pole**

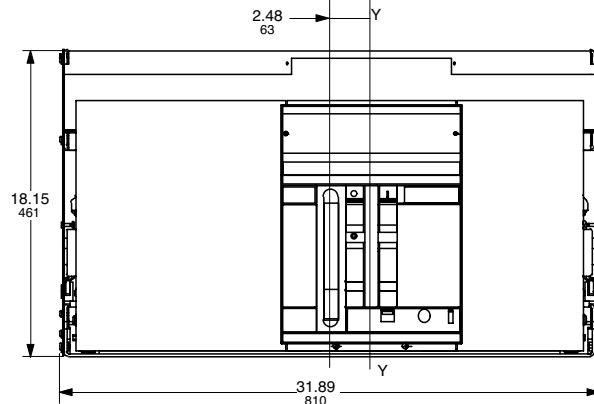
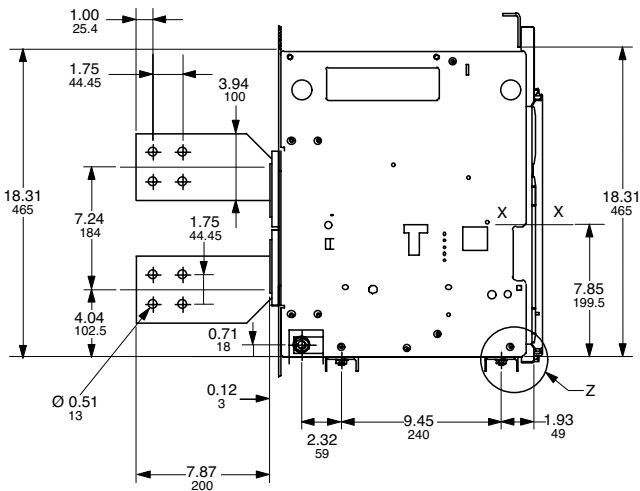
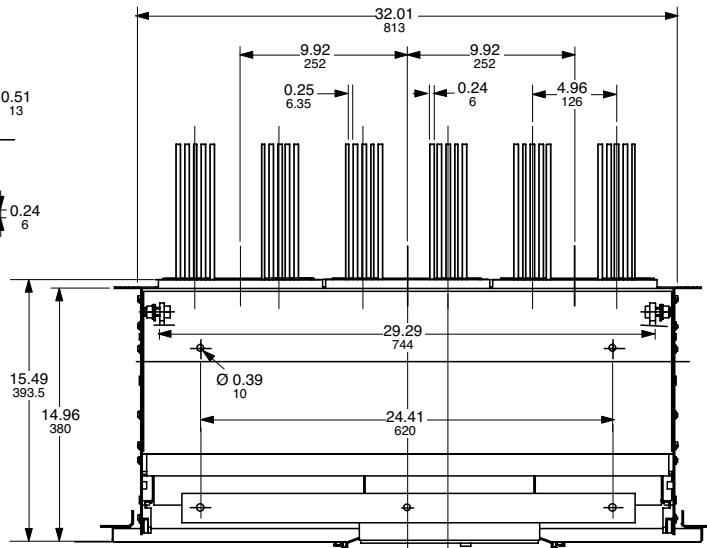
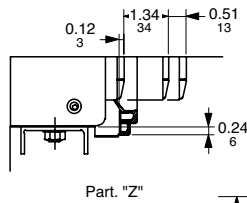
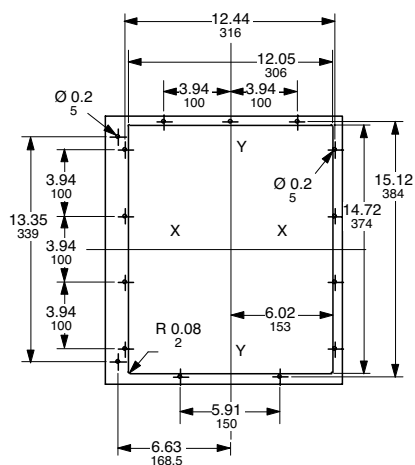


00.00 Inches  
00.00 [Millimeters]

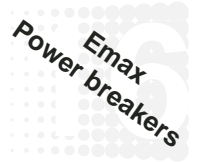


**Approximate dimensions (for UL version)**  
**E6, withdrawable with vertical rear terminals**  
**3 pole**

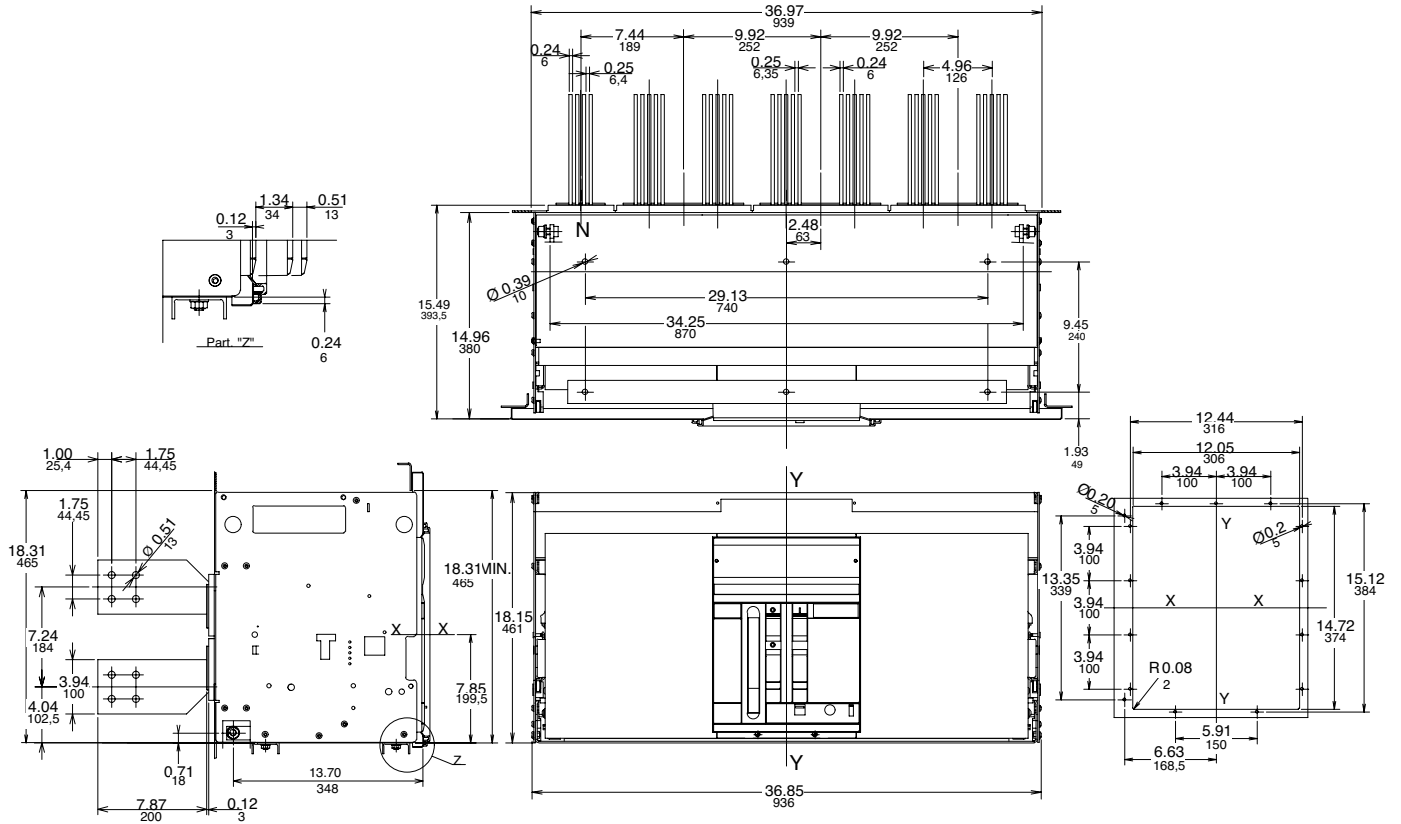
00.00 Inches  
00.00 [Millimeters]



# Approximate dimensions (for UL version) E6, withdrawable with vertical rear terminals 4 pole



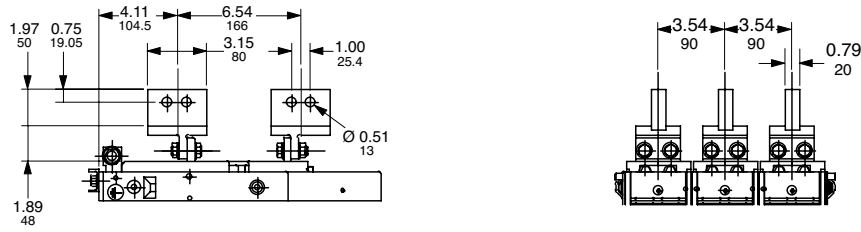
← 00.00 Inches  
00.00 [Millimeters] →



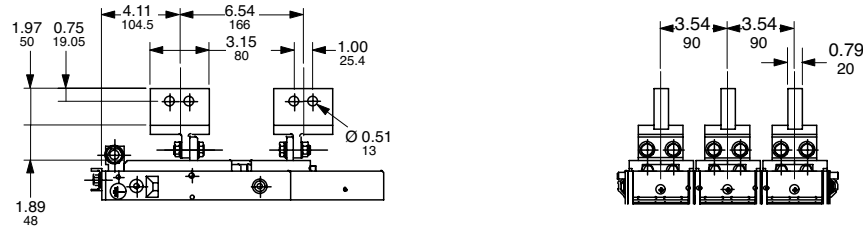
**Approximate dimensions (for UL version)**  
E1 - E6, fixed with vertical rear terminals  
3 pole

00.00    Inches  
00.00    [Millimeters]

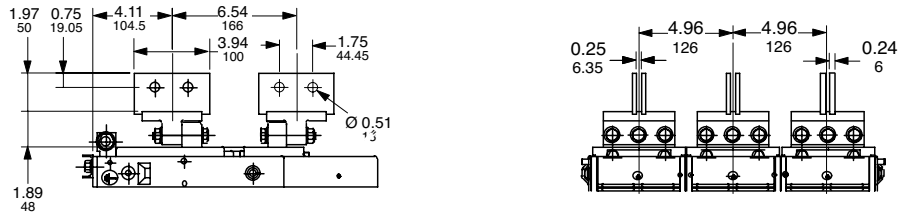
**E1**



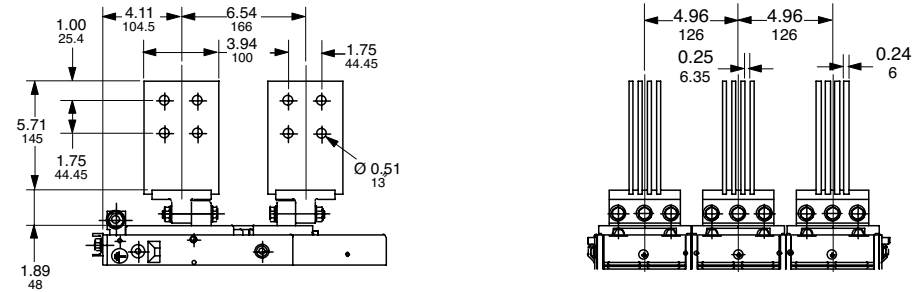
**E2**



**E3 (1200A - 2000A)**

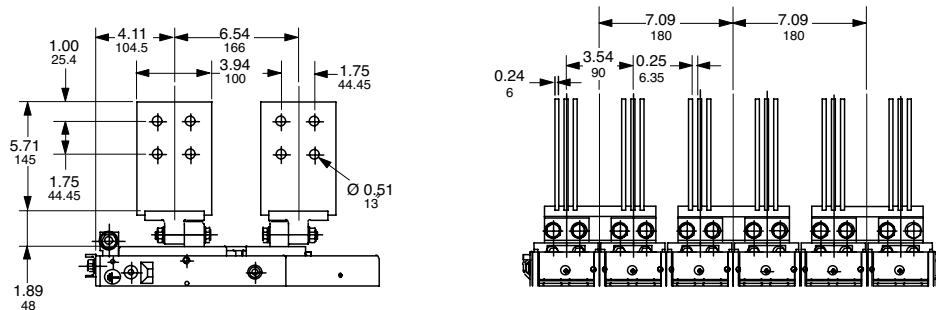


**E3 (2500A)**

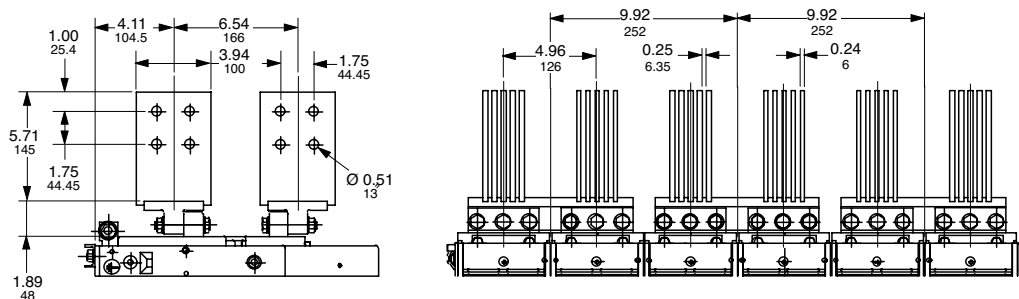


16

**E4**



**E6**

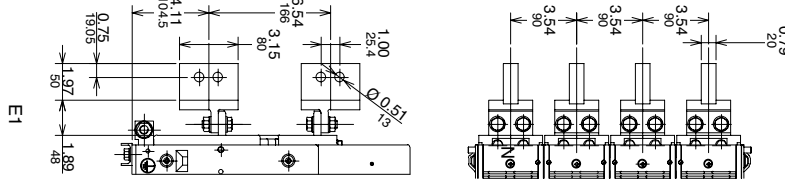


# Approximate dimensions (for UL version) E1 - E6, fixed with vertical rear terminals 4 pole

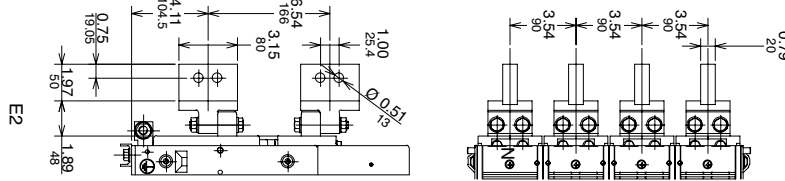


00.00 Inches  
00.00 [Millimeters]

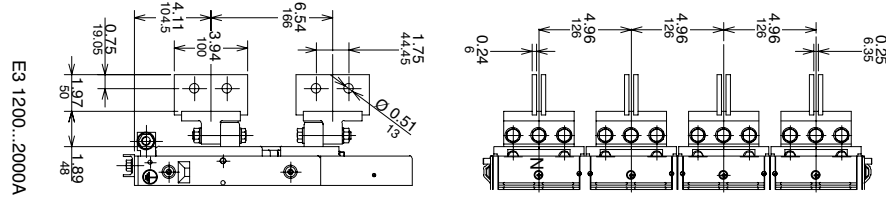
E1



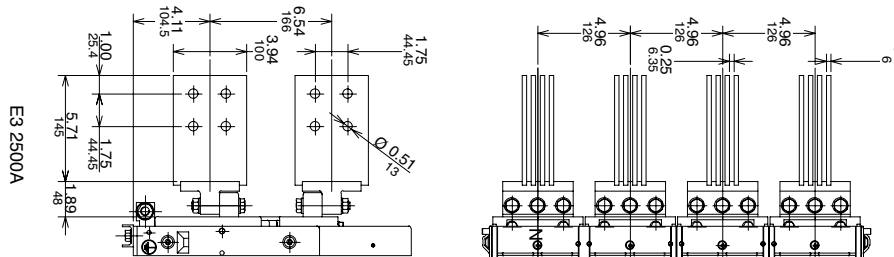
E2



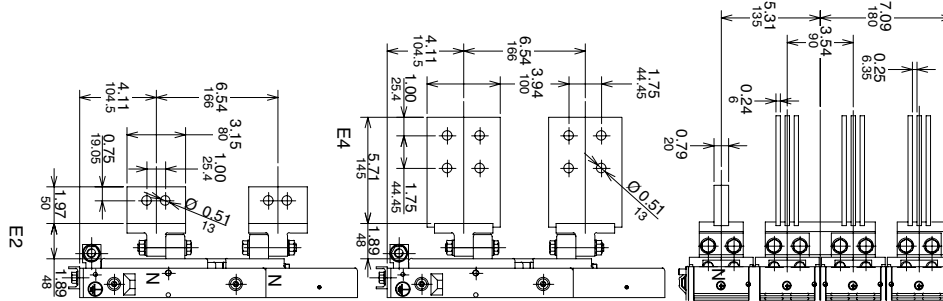
E3 (1200A - 2000A)



E3 (2500A)



E4



E6

