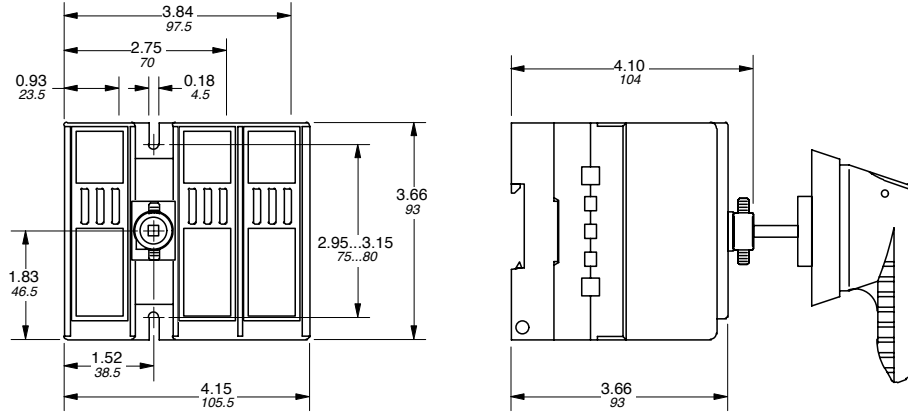


Approximate dimensions OS30A_ – OS60_

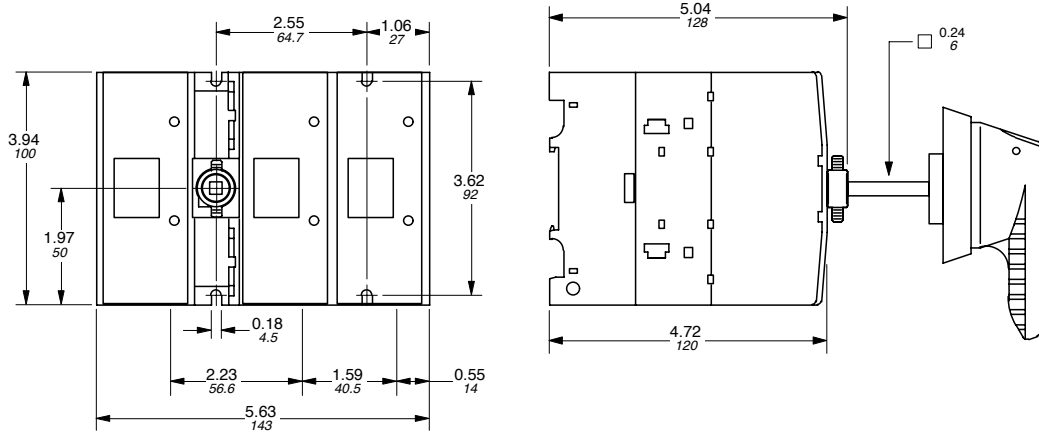
Disconnect
switches
Fusible

00.00 Inches
00.00 [Millimeters]

OS30AJ12 & OS30ACC12



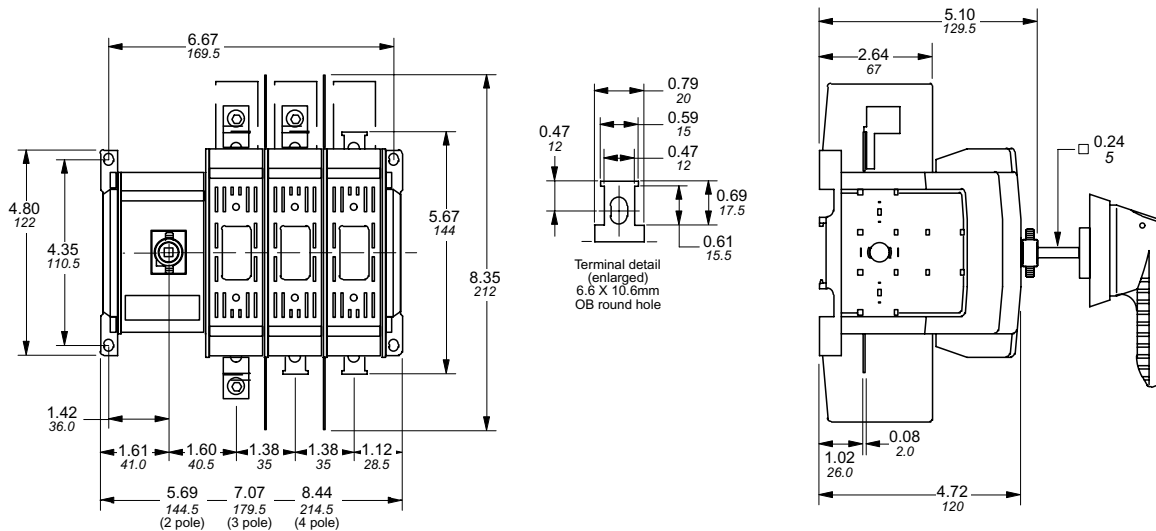
OS60J12



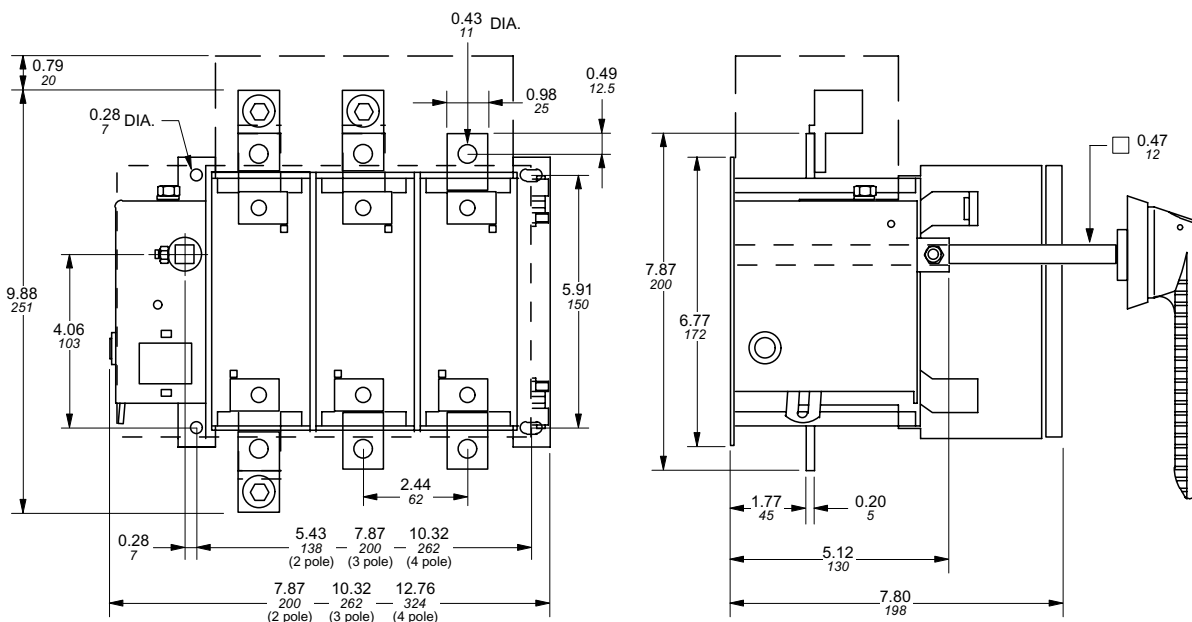
Approximate dimensions OS100_ – OES200_

00.00 Inches
00.00 [Millimeters]

OS100J03



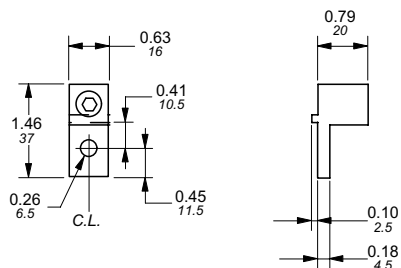
OES200J3, OES200R03



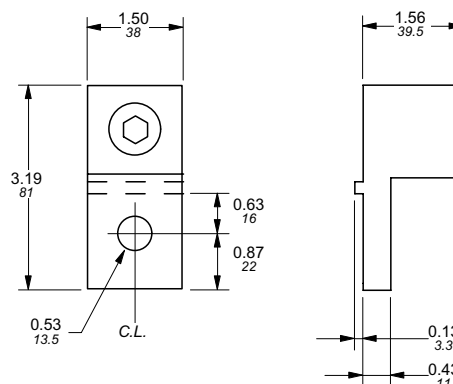
Approximate dimensions for Terminal lugs

00.00 Inches
00.00 [Millimeters]

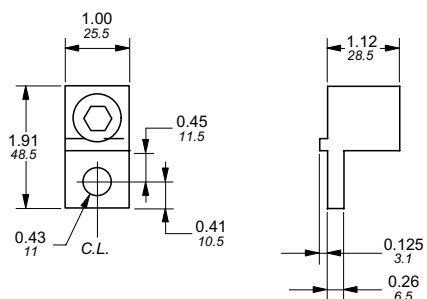
OZXA-24 — for use with 100A switches



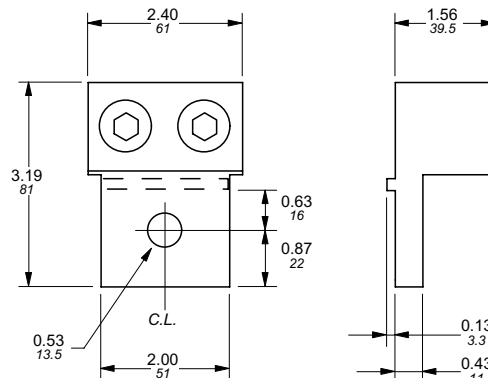
OZXA-26 — for use with 400A switches



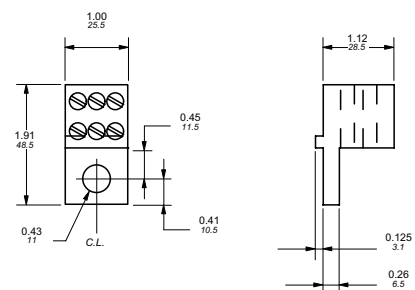
OZXA-25 — for use with 200A switches



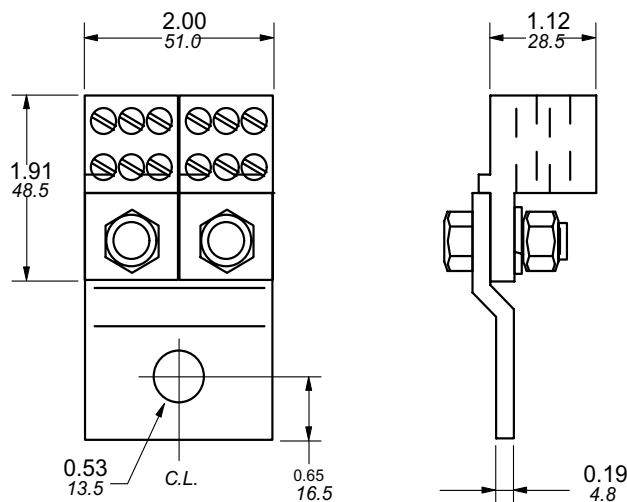
OZXA-27 — for use with 600A switches



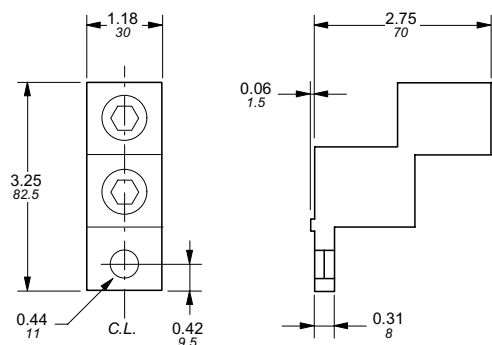
OZXA-175 — power distribution lug, for 200A switch



OZXA-175/400 — for use with 600-800A switches



OZXA-33 — for use with 400A switches

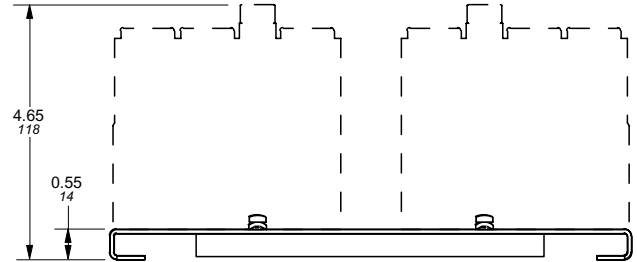
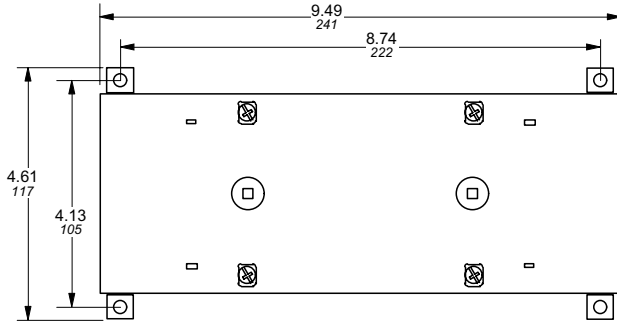


Approximate dimensions for 30A Conversion mechanisms

Disconnect
switches
Fusible

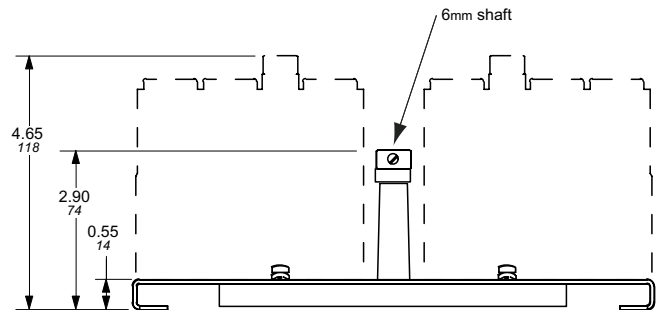
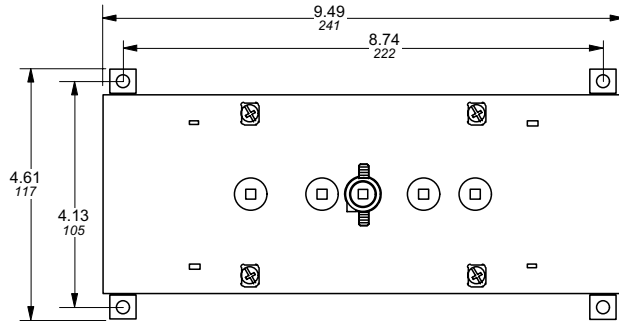
00.00 Inches
00.00 [Millimeters]

6 pole — OWP5DS1



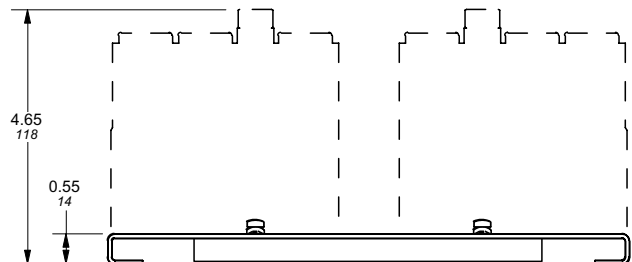
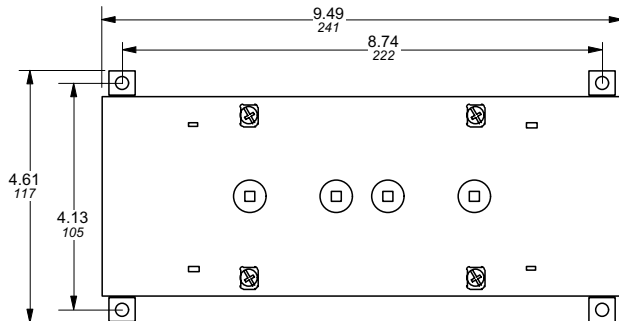
OWP5DS1_ in combination with:	Minimum inches/mm	Maximum [Ⓢ] inches/mm
OS30_	5.51 / 140	n/a

3 pole transfer switch — OWC5DSH1, OWC5DSH1X



OWC5DSH1_ in combination with:	Minimum inches/mm	Maximum [Ⓢ] inches/mm
OS30_	5.51 / 140	n/a

Mechanical interlock — OWM5DS1

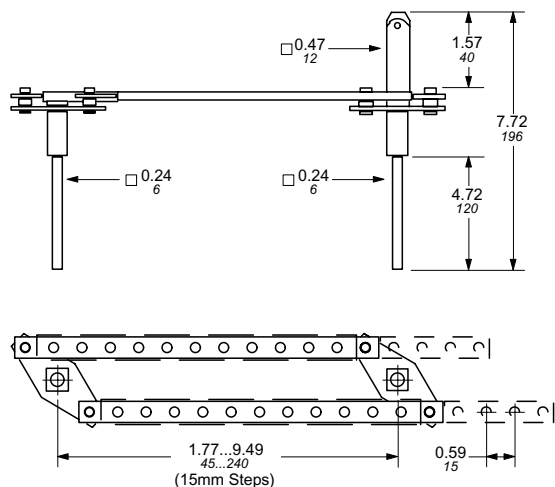


OWM5DS1 in combination with:	Minimum inches/mm	Maximum inches/mm
OS30_	5.51 / 140	n/a

Approximate dimensions for 60A – 100A conversion mechanisms

← 00.00 → Inches
00.00 [Millimeters]

6 or 8 pole — OESA-ZW2

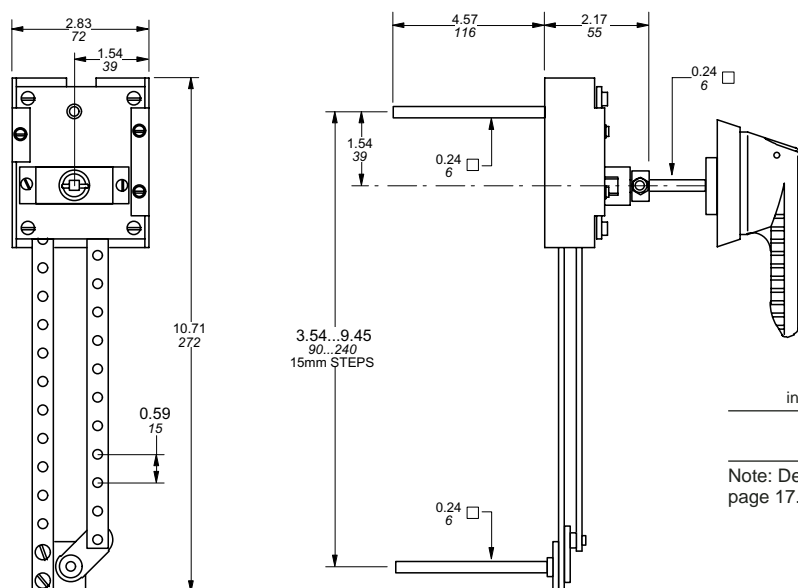


For installation of 6 or 8 pole and transfer mechanisms, the following minimum and maximum mounting dimensions are given below.

OESA-ZW2 in combination with:	Minimum inches/mm	Maximum ① inches/mm
OS60	6.89/175	10.83/275
OS100	6.89/175	10.83/275

Note: Deeper enclosures will require a longer shaft, please select a 12mm shaft from page 17.92, and an OETL-ZX95 shaft extension coupler from page 17.94.

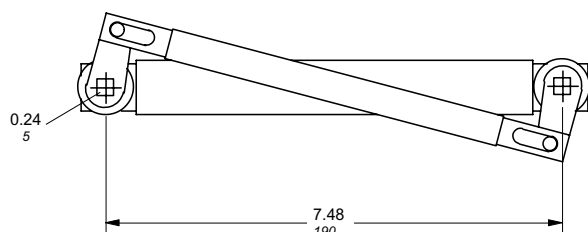
Transfer switch — OESA-ZW1 & OESA-ZW1X



OESA-ZW1 in combination with:	Minimum inches/mm	Maximum ① inches/mm
OS60	7.87/200	13.23/336
OS100	8.27/210	13.23/336

Note: Deeper enclosures will require a longer shaft, please select a 6mm shaft from page 17.87.

Mechanical interlock — OTZW10



OTZW10 in combination with:	Minimum inches/mm	Maximum ① inches/mm
OS60 - OS 100	6.3 / 160	—

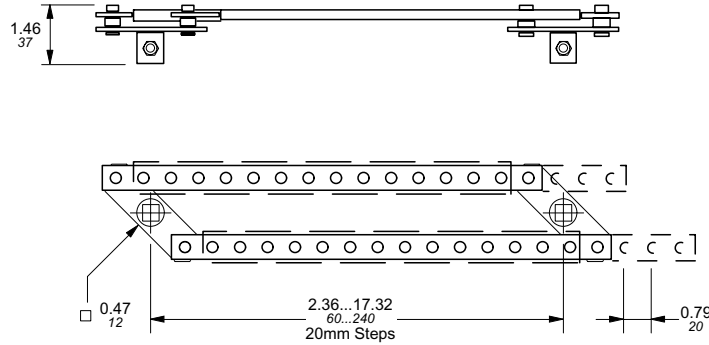
Note: Deeper enclosures will require a longer shaft, please select a 6mm shaft from page 17.87.

Approximate dimensions for 200A – 800A conversion mechanisms

Disconnect
switches
Fusible

00.00 Inches
00.00 [Millimeters]

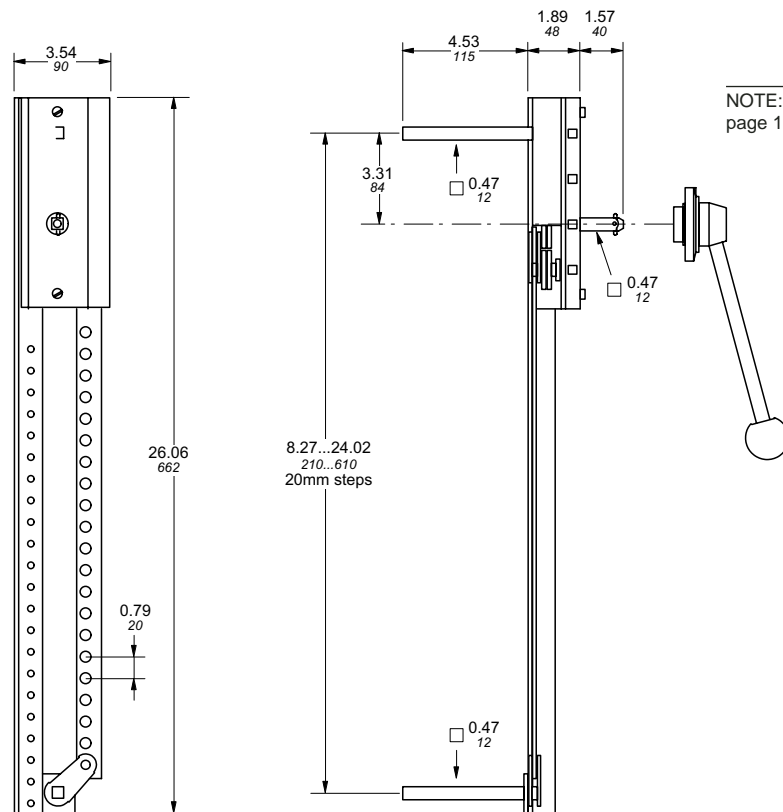
6 or 8 pole — OETL-ZW9



For installation of 6 or 8 pole and transfer mechanisms, the following minimum and maximum mounting dimensions are given below.

OETL-ZW9 in combination with:	Minimum inches/mm	Maximum ^① inches/mm
OES200	9.84/250	N/A
OES400	9.84/250	N/A
OES600	11.02/280	N/A
OES800	11.02/280	N/A

Transfer switch — OETL-ZW12



OETL-ZW12 in combination with:	Minimum inches/mm	Maximum ^① inches/mm
OES200	10.43/265	N/A
OES400	10.82/275	N/A
OES600	11.81/300	N/A
OES800	11.81/300	N/A

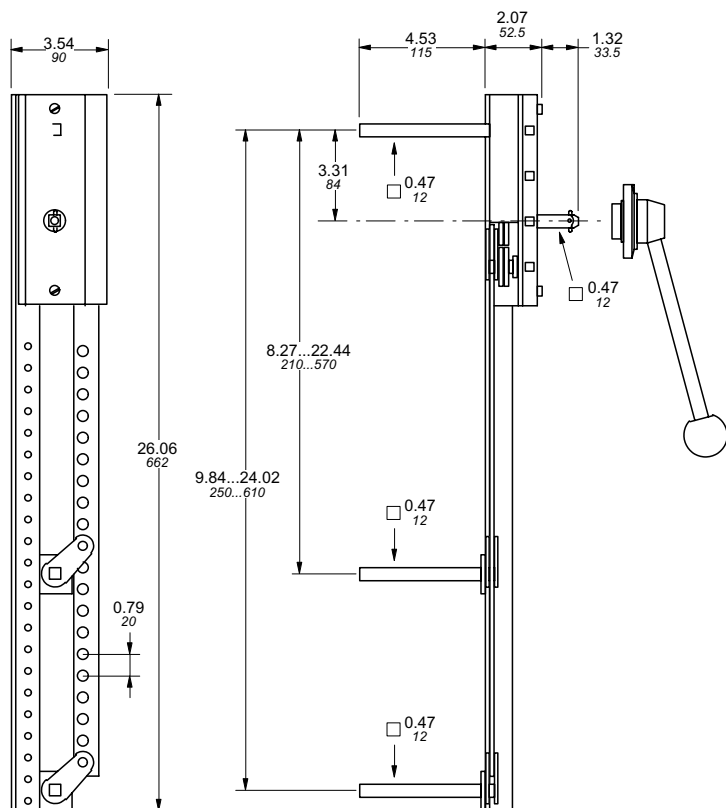
NOTE: Deeper enclosures require a longer shaft. Select a 12mm shaft from page 17.92 and an OETLZX95 shaft extension coupler from page 17.94.

Approximate dimensions for 200A – 800A conversion mechanisms

00.00 — Inches
00.00 [Millimeters]

Bypass switch — OETL-ZW13

For installation of bypass and mechanical interlock mechanisms, the following minimum and maximum mounting dimensions are given below.



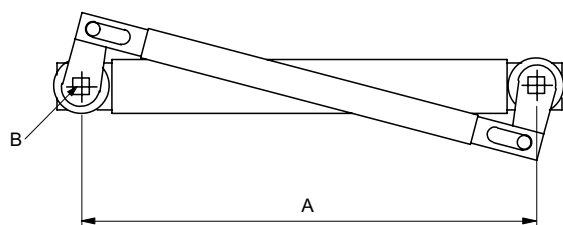
OETL-ZW13 in combination with:	Minimum inches/mm	Maximum ① inches/mm
OES200	11.42/290	N/A
OES400	11.61/295	N/A
OES600	12.80/325	N/A
OES800	12.80/325	N/A

Includes YASDA-21 handle.

NOTE: Deeper enclosures require a longer shaft. Select a 12mm shaft from page 17.92 and an OETLZX95 shaft extension coupler from page 17.94.

Mechanical interlock — OETL-ZW3, OETL-ZW14 & OETL-ZW15

17



Dimensions in Inches
& mm

	A	B
OETL-ZW3	11.81 300.0	0.47 12.0
OETL-ZW14	9.84 250.0	0.47 12.0
OETL-ZW15	19.69 500.0	0.47 12.0

OETL-ZW3, 14, 15 in combination with:	Minimum inches/mm	Maximum ① inches/mm
OES200	9.06/230	N/A
OES400	9.45/240	N/A
OES600	10.43/265	N/A
OES800	10.43/265	N/A

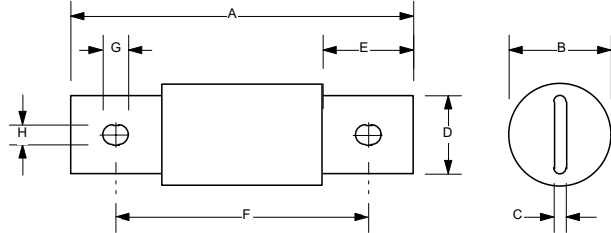
Handle(s) not included.

Approximate dimensions for Fuses

Disconnect
switches
Fusible

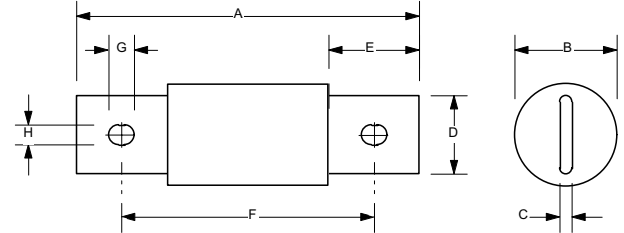
00.00 Inches
00.00 [Millimeters]

Class J (600V)



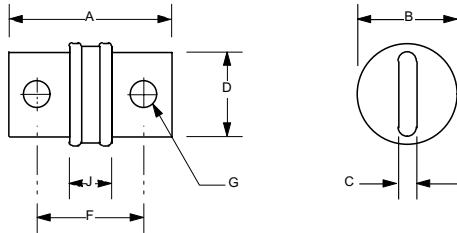
Ampere rating	A	B	C	D	E	F	G	H
1 - 30	2.25	.81	—	—	—	—	—	—
31 - 60	2.38	1.06	—	—	—	—	—	—
61 - 100	4.62	1.12	.12	.75	1	3.62	.38	.28
101 - 200	5.75	1.62	.19	1.12	1.38	4.38	.38	.28
201 - 400	7.12	2.12	.25	1.62	1.88	5.25	.53	.41
401 - 600	8.00	2.5	.38	2.00	2.12	6.00	.69	.53

Class L (600V)



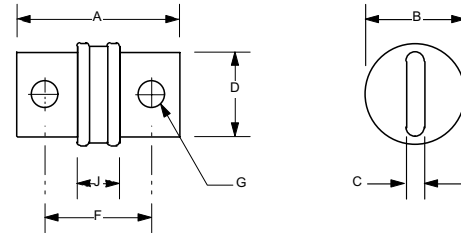
Ampere rating	A	B	C	D	E	F	G	H
200 - 600	8.62	2.00	.31	1.62	2.41	6.25	1.12	.62
601 - 800	8.62	2.50	.38	2.00	2.41	6.25	1.12	.62

Class T (300V)



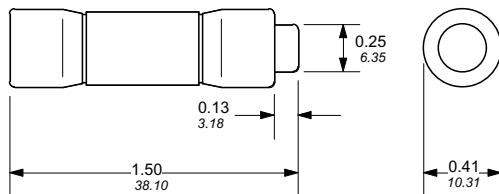
Ampere rating	A	B	C	D	F	G	J
1 - 30	.88	.41	—	—	—	—	—
31 - 60	.88	.56	—	—	—	—	—
61 - 100	2.16	.81	.12	.75	1	3.62	.38
101 - 200	2.45	1.06	.19	1.12	1.38	4.38	.38
201 - 400	2.75	1.33	.25	1.62	1.88	5.25	.53
401 - 600	3.06	1.62	.31	2.00	2.12	6.00	.69
601 - 800	3.38	2.08	.38	1.75	2.22	.55	.88

Class T (600V)



Ampere rating	A	B	C	D	F	G	J
1 - 30	1.50	.56	—	—	—	—	—
35 - 60	1.56	.81	—	—	—	—	—
70 - 100	2.95	—	.12	.75	2.36	.28	1.64
110 - 200	3.25	—	.19	.88	2.50	.34	1.66
225 - 400	3.62	—	.25	1.00	2.69	.41	1.64
450 - 600	3.98	—	.31	1.25	2.95	.48	1.78
601 - 800	4.37	—	.38	1.75	3.17	.55	1.88

Class CC (600V) — Rejection type

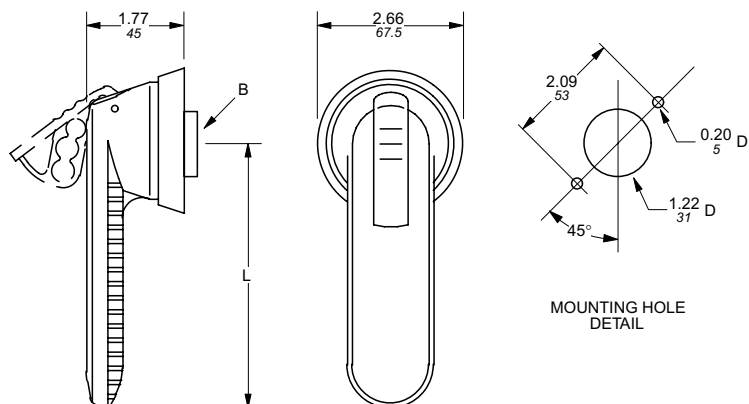


Dimension	A	B	C	D
	1.500 (38.1)	0.406 (10.31)	0.250 (6.35)	0.125 (3.18)

Approximate dimensions Handles

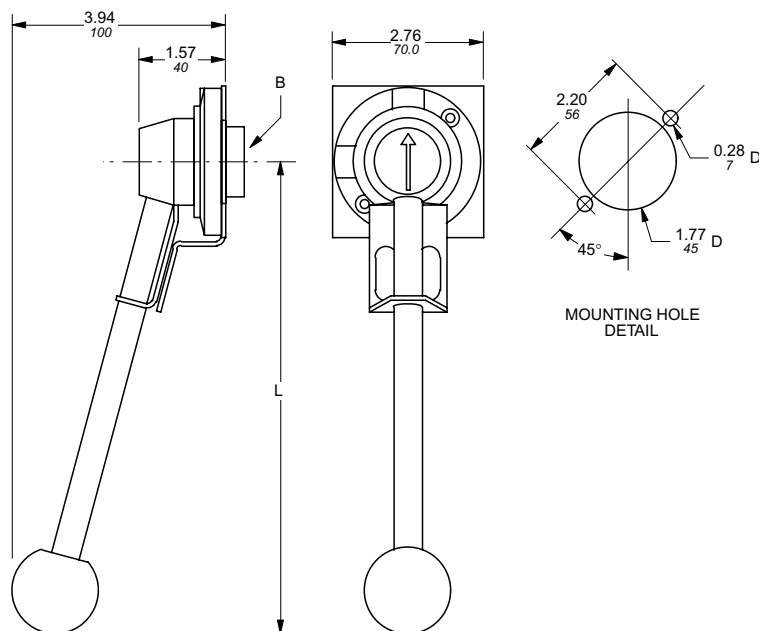
00.00 — Inches
00.00 [Millimeters]

Pistol handles



L Catalog number	Inches/ mm	□ B Shaft size Inches/ mm	UL / NEMA Type
OH_45J5	1.8/45	0.20/5	1, 3R, 12
OH_65J5	2.6/65	0.20/5	1, 3R, 12
OH_45J6	1.8/45	0.24/6	1, 3R, 12
OH_65J6	2.6/65	0.24/6	1, 3R, 12
OH_80J6	3.1/80	0.24/6	1, 3R, 12
OH_65J8	2.6/65	0.31/8	1, 3R, 12
OH_80J8	3.1/80	0.31/8	1, 3R, 12
OH_125J12	4.9/125	0.47/12	1, 3R, 12
OH_145J12	5.7/145	0.47/12	1, 3R, 12
OH_175J12	6.9/175	0.47/12	1, 3R, 12
OH_65L5	2.6/65	0.20/5	1, 3R, 4, 4X, 12
OH_80L6	3.1/80	0.24/6	1, 3R, 4, 4X, 12
OH_80L8	3.1/80	0.31/8	1, 3R, 4, 4X, 12
OH_145L12	5.7/145	0.47/12	1, 3R, 4, 4X, 12
OH_175L12	6.9/175	0.47/12	1, 3R, 4, 4X, 12

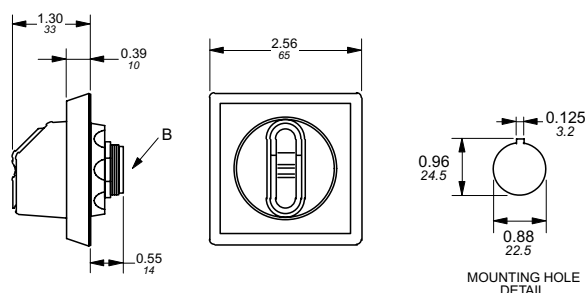
__ = Handle color, B (Black) or Y (Red/Yellow)



Catalog number	L Inches/ mm	□ B Shaft size Inches/ mm	UL / NEMA Type
YASDA-7	8.66/220	0.47/12	1, 3R, 4, 4X, 12
YASDA-8	8.66/220	0.47/12	1, 3R, 4, 4X, 12
YASDA-21	8.66/220	0.47/12	1, 3R, 4, 4X, 12
YASDA-6	12.60/320	0.47/12	1, 3R, 4, 4X, 12

17

OH_2A_



Catalog number UL Type 1, 3R, 12	Defeatable	□ B Shaft size Inches/ mm
OHB2AJ1	No	0.20/5
OHY2AJ1	No	0.20/5
OHB2AJ	Yes	0.20/5
OHY2AJ	Yes	0.20/5